



T&S BRASS AND BRONZE WORKS, INC.

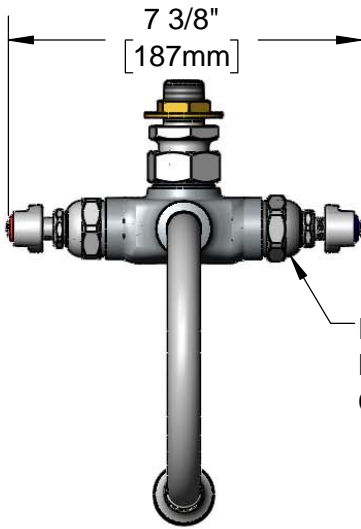
2 Saddleback Cove / P.O. Box 1088
Travelers Rest, SC 29690

Model No.

B-0816-RGH

Item No.

Travelers Rest, SC: 800-476-4103 • Simi Valley, CA: 800-423-0150 • Fax: 864-834-3518 • www.tsbrass.com



Eterna Cartridge w/
Lever Handles and
Color Coded Indexes



ADA Compliant

This Space for Architect/Engineer Approval

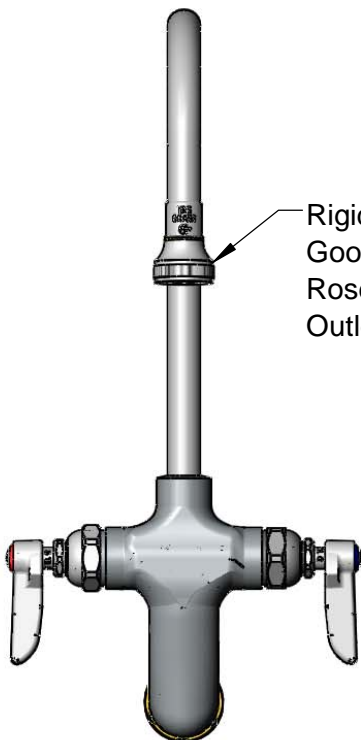
Job Name _____ Date _____

Model Specified _____ Quantity _____

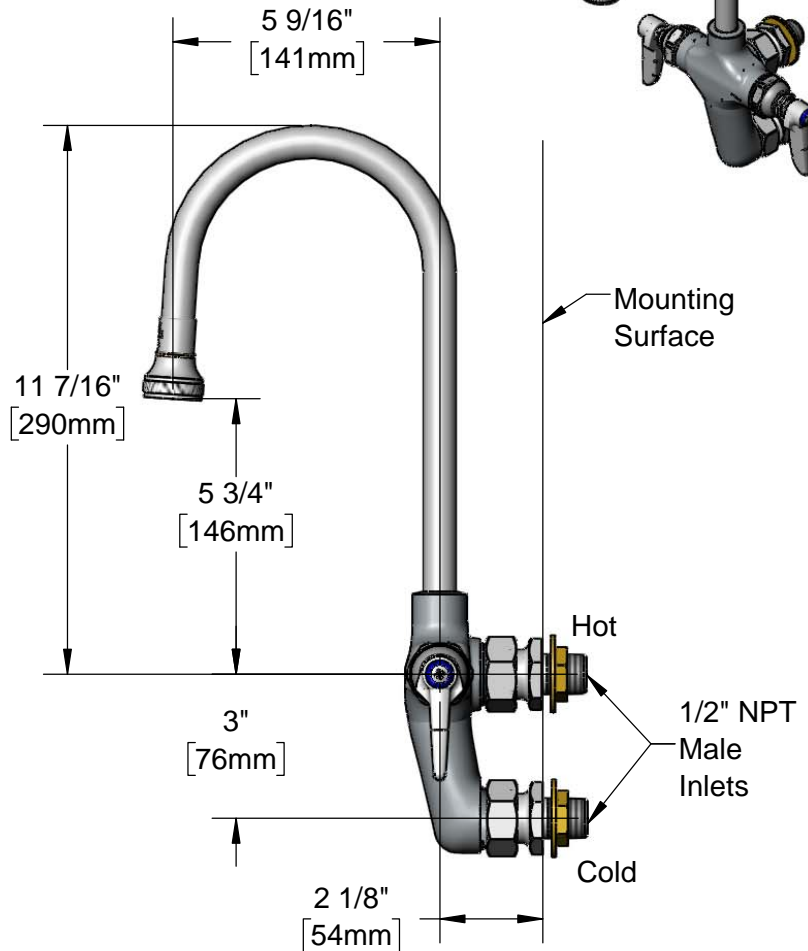
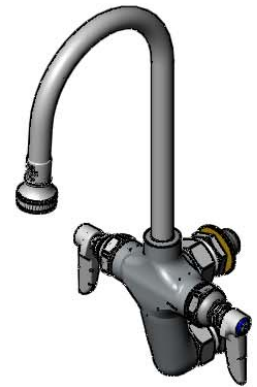
Customer/Wholesaler _____

Contractor _____

Architect/Engineer _____



Rigid
Gooseneck w/
Rosespray
Outlet



Mounting
Surface

1/2" NPT
Male
Inlets

Hot

Cold

Product Specifications:

Wall Mount Vertical Mixing Faucet, 5 1/2" Rigid Gooseneck w/
Rosespray Outlet, Lever Handles and 1/2" NPT Male Inlets

Product Compliance:

ASME A112.18.1 / CSA B125.1
NSF 61 - Section 9
NSF 372 (Low Lead Content)
ANSI A117.1 (ADA)



T&S BRASS AND BRONZE WORKS, INC.

2 Saddleback Cove / P.O. Box 1088
Travelers Rest, SC 29690

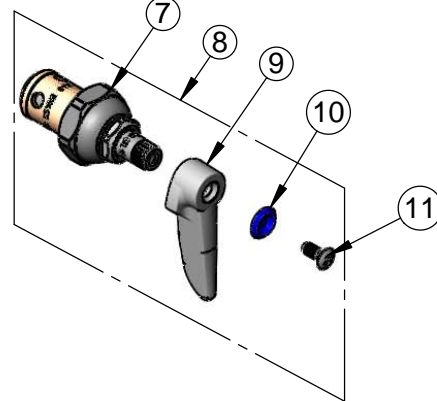
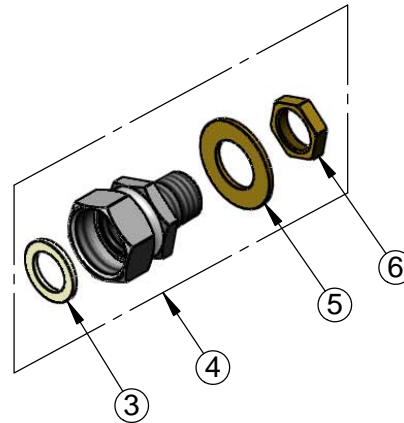
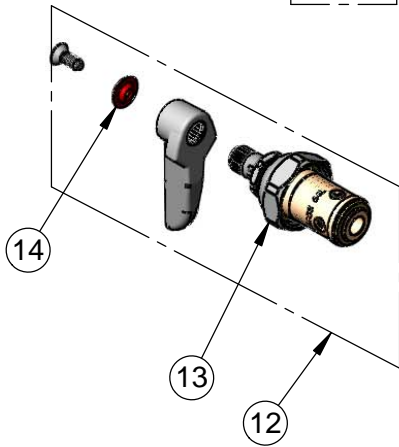
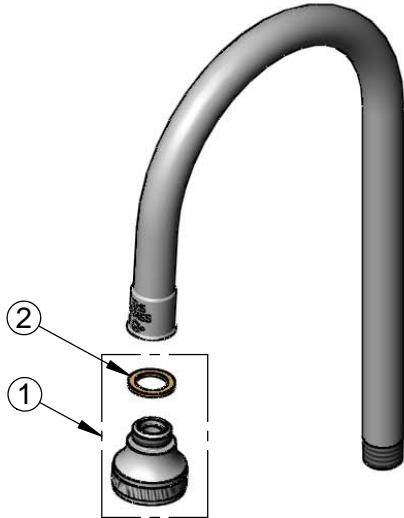
Model No.

B-0816-RGH

Item No.

Travelers Rest, SC: 800-476-4103 • Simi Valley, CA: 800-423-0150 • Fax: 864-834-3518 • www.tsbrass.com

ITEM NO.	SALES NO.	DESCRIPTION
1	B-0103	Rosespray Outlet
2	001043-45	Washer
3	001019-45	Coupling Nut Washer
4	00CC	1/2" NPT Male Inlet Flange
5	000999-45	Brass Lock Washer
6	002954-45	Shank Lock Nut
7	005959-40	Eterna Cartridge, LTC
8	002713-40	Eterna Cartridge, LTC w/ Handle, Index & Screw
9	001638-45	Lever Handle
10	001660-45	Blue Index-CW
11	000922-45	Lever Handle Screw
12	002714-40	Eterna Cartridge, RTC w/ Handle, Index & Screw
13	005960-40	Eterna Cartridge, RTC
14	001661-45	Red Index-HW



Product Specifications:

Wall Mount Vertical Mixing Faucet, 5 1/2" Rigid Gooseneck w/
Rosespray Outlet, Lever Handles and 1/2" NPT Male Inlets

Product Compliance:

ASME A112.18.1 / CSA B125.1
NSF 61 - Section 9
NSF 372 (Low Lead Content)
ANSI A117.1 (ADA)