



T&S BRASS AND BRONZE WORKS, INC.

2 Saddleback Cove / P.O. Box 1088
Travelers Rest, SC 29690

Model No.

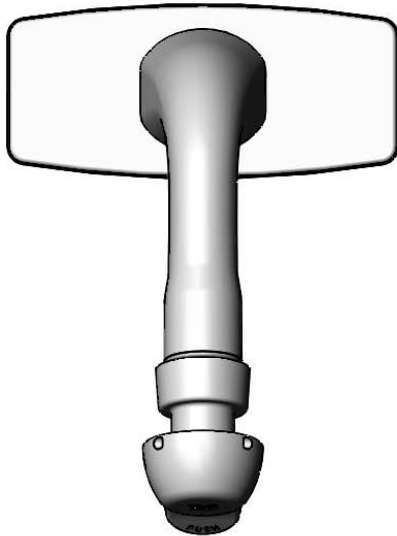
B-0805-DP-PA

Item No.

Travelers Rest, SC: 800-476-4103 • Simi Valley, CA: 800-423-0150 • Fax: 864-834-3518 • www.tsbrass.com



ADA Compliant



This Space for Architect/Engineer Approval

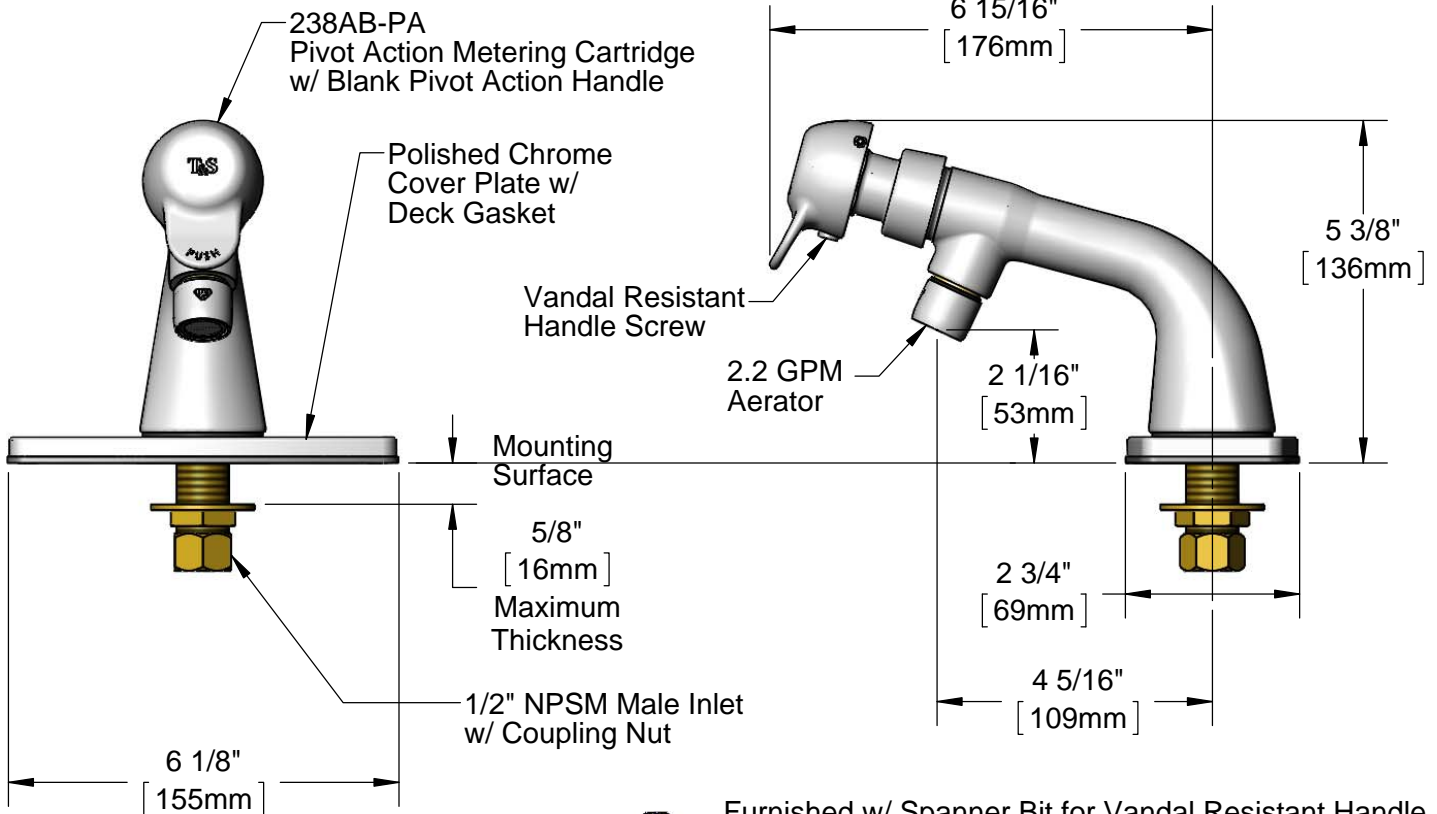
Job Name _____ Date _____

Model Specified _____ Quantity _____

Customer/Wholesaler _____

Contractor _____

Architect/Engineer _____



Rough-in Requirement:
Ø 1" [25mm] Mounting Hole



Furnished w/ Spanner Bit for Vandal Resistant Handle Screw. Loosen Screw (Do Not Remove). Flip Handle Up to Access Metering Adjustment. (Metering Adjustment Requires 3/32" Hex Key)

Product Specifications:

Single Hole Single Temperature Metering Faucet w/ Pivot Action Metering Cartridge, 1/2" NPSM Male Inlet, 2.2 GPM Aerator & Polished Chrome Cover Plate

Product Compliance:

ASME A112.18.1 / CSA B125.1
NSF 61 - Section 9
NSF 372 (Low Lead Content)
ANSI A117.1 (ADA)



T&S BRASS AND BRONZE WORKS, INC.

2 Saddleback Cove / P.O. Box 1088
Travelers Rest, SC 29690

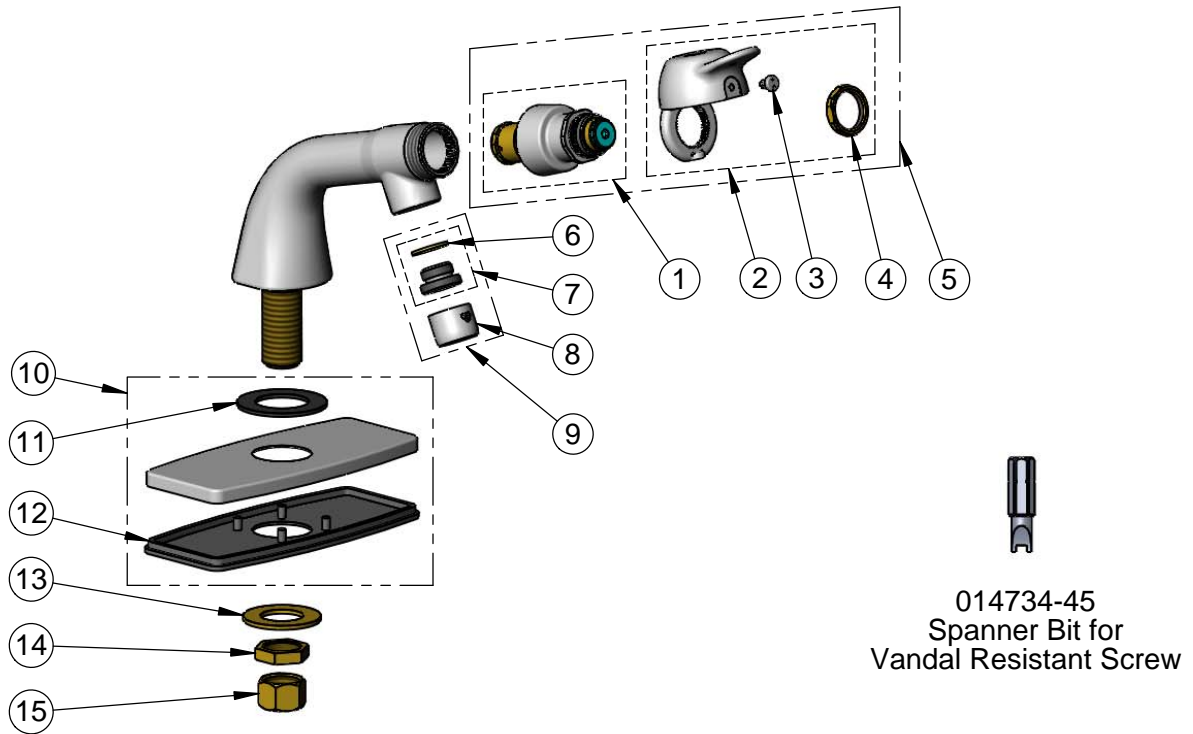
Model No.

B-0805-DP-PA

Item No.

Travelers Rest, SC: 800-476-4103 • Simi Valley, CA: 800-423-0150 • Fax: 864-834-3518 • www.tsbrass.com

ITEM NO.	SALES NO.	DESCRIPTION
1	238-PA	Pivot Action Metering Cartridge w/ Retaining Nut
2	PA-B	Blank Pivot Action Handle w/ Retaining Nut & Spanner Bit
3	016654-45	Vandal Resistant SS Screw
4	PA-N	Retaining Nut
5	238AB-PA	Pivot Action Metering Cartridge w/ Blank Pivot Action Handle Assembly
6	001043-45	Washer
7	044A	3/8" to Aerator Adapter
8	B-0199-01	2.2 GPM Aerator, 55/64"-27 UN Female
9	B-0199-02	2.2 GPM Aerator, 3/8" NPSM
10	009345-45	Cover Plate w/ Gasket & Seal
11	014612-45	Deck Seal
12	018259-45	Gasket, 4" c/c Cover Plate
13	000999-45	Brass Lock Washer
14	002954-45	Shank Lock Nut
15	000958-20	Coupling Nut



Product Specifications:

Single Hole Single Temperature Metering Faucet w/ Pivot Action Metering Cartridge, 1/2" NPSM Male Inlet, 2.2 GPM Aerator & Polished Chrome Cover Plate

Product Compliance:

ASME A112.18.1 / CSA B125.1
NSF 61 - Section 9
NSF 372 (Low Lead Content)
ANSI A117.1 (ADA)