



# T&S BRASS AND BRONZE WORKS, INC.

2 Saddleback Cove / P.O. Box 1088  
Travelers Rest, SC 29690

Model No.

**B-0805-01**

Item No.

Travelers Rest, SC: 800-476-4103 • Simi Valley, CA: 800-423-0150 • Fax: 864-834-3518 • www.tsbrass.com



**ADA Compliant**

This Space for Architect/Engineer Approval

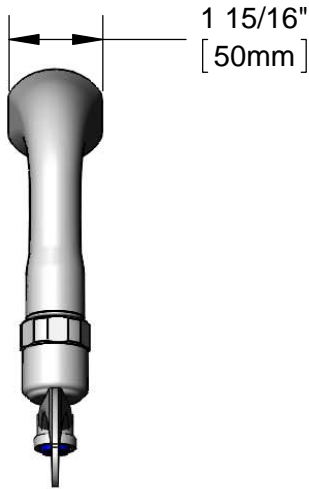
Job Name \_\_\_\_\_ Date \_\_\_\_\_

Model Specified \_\_\_\_\_ Quantity \_\_\_\_\_

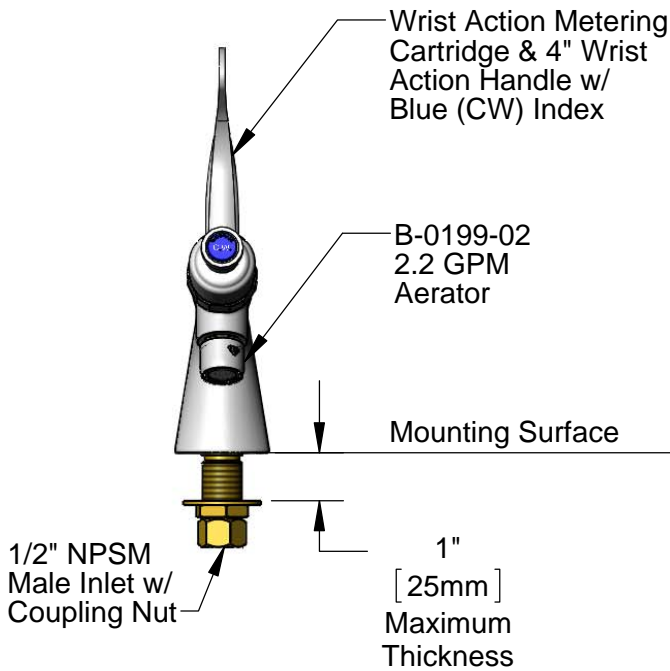
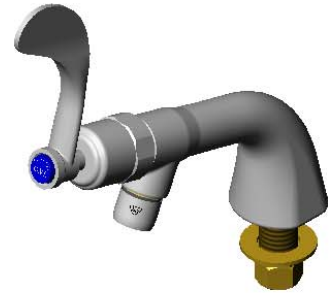
Customer/Wholesaler \_\_\_\_\_

Contractor \_\_\_\_\_

Architect/Engineer \_\_\_\_\_



1 15/16"  
[50mm]



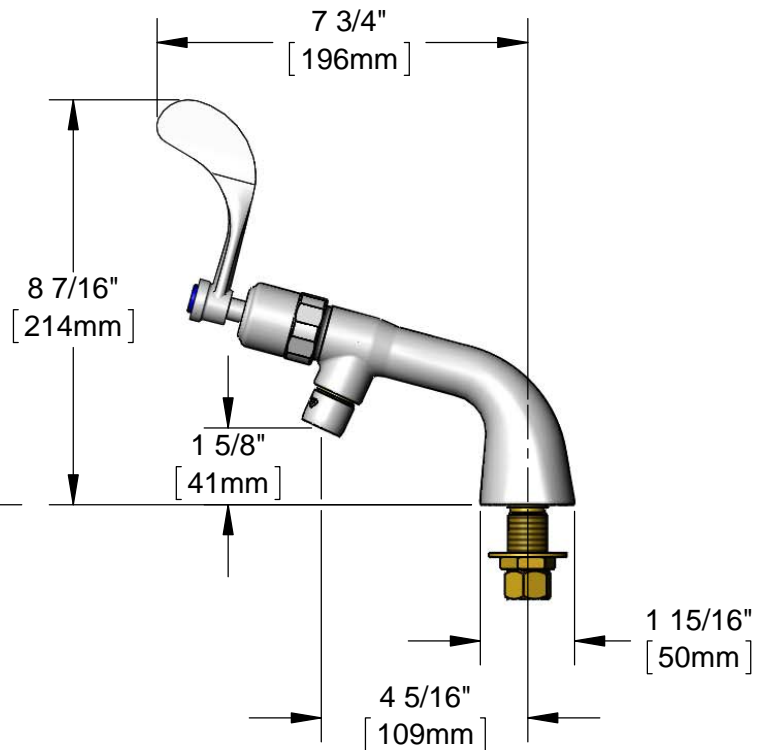
Wrist Action Metering  
Cartridge & 4" Wrist  
Action Handle w/  
Blue (CW) Index

B-0199-02  
2.2 GPM  
Aerator

Mounting Surface

1/2" NPSM  
Male Inlet w/  
Coupling Nut

1"  
[25mm]  
Maximum  
Thickness



7 3/4"  
[196mm]

8 7/16"  
[214mm]

1 5/8"  
[41mm]

4 5/16"  
[109mm]

1 15/16"  
[50mm]

Rough-In Requirement:  
Ø 1" [25mm] Mounting Hole

Product Specifications:  
Single Temperature Deck Mount Faucet, Wrist Action Metering  
Cartridge, 4" Wrist Action Handle, 2.2 GPM Aerator & 1/2" NPSM  
Male Inlet

Product Compliance:  
ASME A112.18.1 / CSA B125.1  
NSF 61 - Section 9  
NSF 372 (Low Lead Content)  
ANSI A117.1 (ADA)



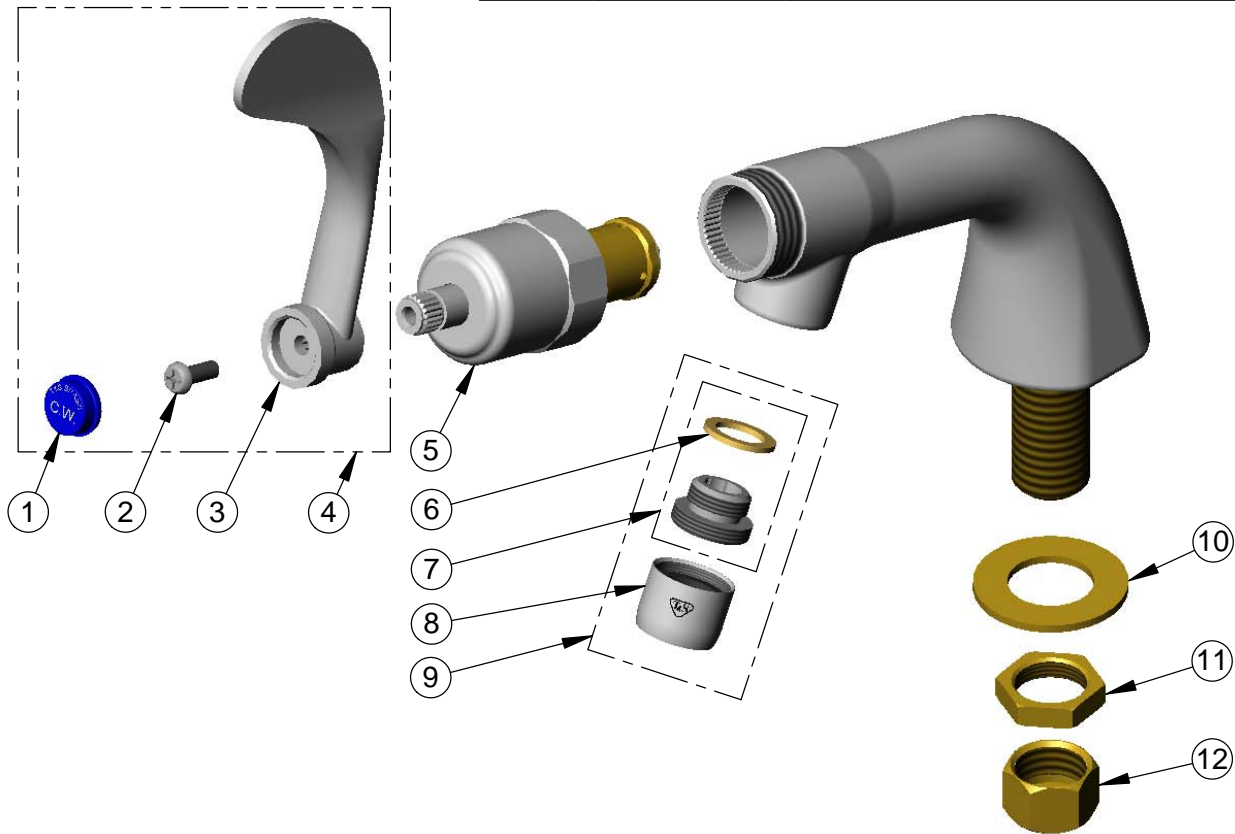
**T&S BRASS AND BRONZE WORKS, INC.**  
 2 Saddleback Cove / P.O. Box 1088  
 Travelers Rest, SC 29690

Model No.  
**B-0805-01**

Item No.

Travelers Rest, SC: 800-476-4103 • Simi Valley, CA: 800-423-0150 • Fax: 864-834-3518 • www.tsbrass.com

ITEM NO.	SALES NO.	DESCRIPTION
1	001686-45	Blue Index - CW
2	000925-45	Lab Handle Screw
3	B-WH4	4" Wrist Action Handle
4	B-WH4C	4" Wrist Action Handle, Screw & Cold Index
5	012449-40	Wrist Action Metering Cartridge
6	001043-45	Washer
7	044A	3/8" to Aerator Adapter
8	B-0199-01	2.2 GPM Aerator, 55/64"-27 UN Female
9	B-0199-02	2.2 GPM Aerator, 3/8" NPSM Male
10	000999-45	Brass Lock Washer
11	002954-45	Shank Lock Nut
12	000958-20	Coupling Nut



**Product Specifications:**  
 Single Temperature Deck Mount Faucet, Wrist Action Metering Cartridge, 4" Wrist Action Handle, 2.2 GPM Aerator & 1/2" NPSM Male Inlet

**Product Compliance:**  
 ASME A112.18.1 / CSA B125.1  
 NSF 61 - Section 9  
 NSF 372 (Low Lead Content)  
 ANSI A117.1 (ADA)