



T&S BRASS AND BRONZE WORKS, INC.

2 Saddleback Cove / P.O. Box 1088
Travelers Rest, SC 29690

Model No.

B-0722

Item No.

Travelers Rest, SC: 800-476-4103 • Simi Valley, CA: 800-423-0150 • Fax: 864-834-3518 • www.tsbrass.com

This Space for Architect/Engineer Approval

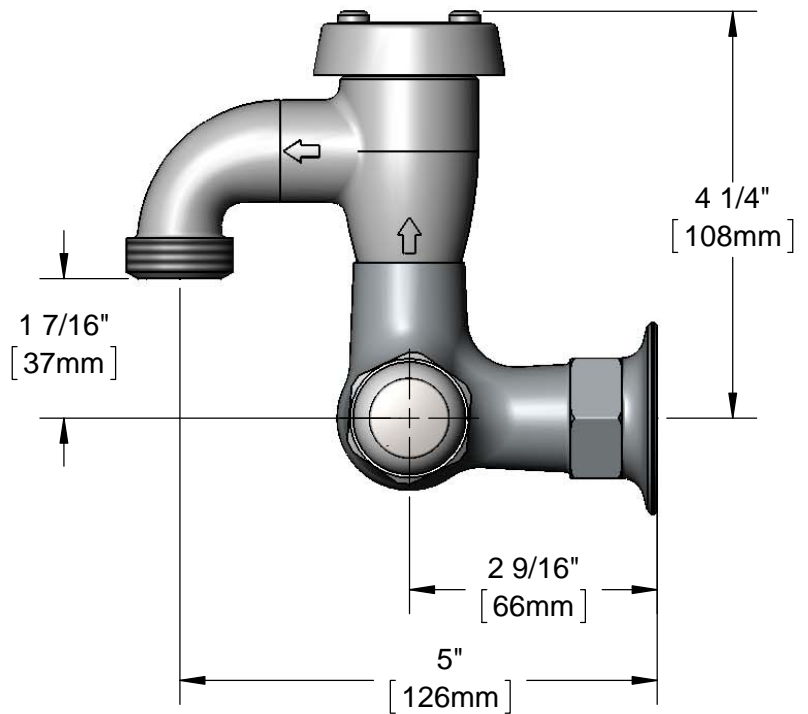
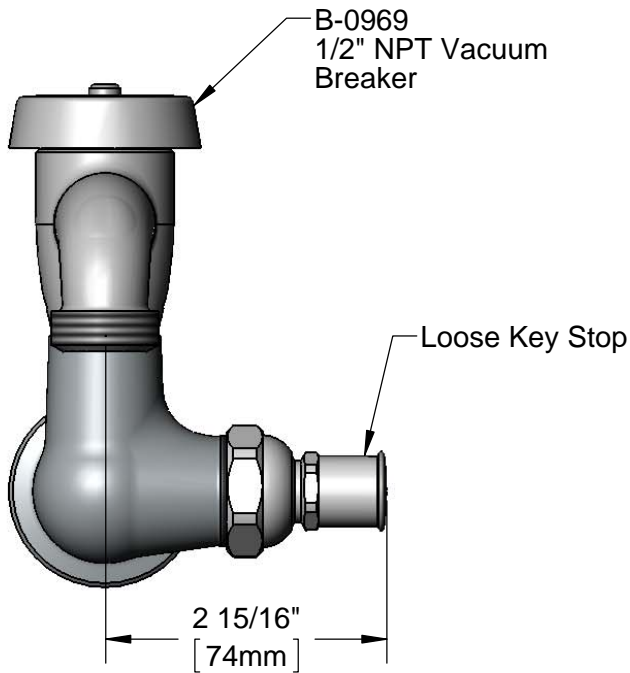
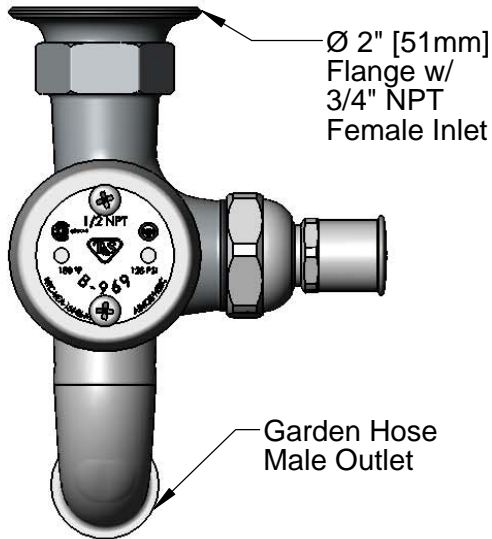
Job Name _____ Date _____

Model Specified _____ Quantity _____

Customer/Wholesaler _____

Contractor _____

Architect/Engineer _____



Product Specifications:

Single Hole Single Temperature Wall Mount Sill Faucet, Loose Key Stop, Vacuum Breaker, Spout w/ Garden Hose Male Outlet, Polished Chrome Finish & 3/4" NPT Female Inlet

Product Compliance:

ASME A112.18.1 / CSA B125.1
NSF 61 - Section 9
NSF 372 (Low Lead Content)
ASSE 1001 (VB)



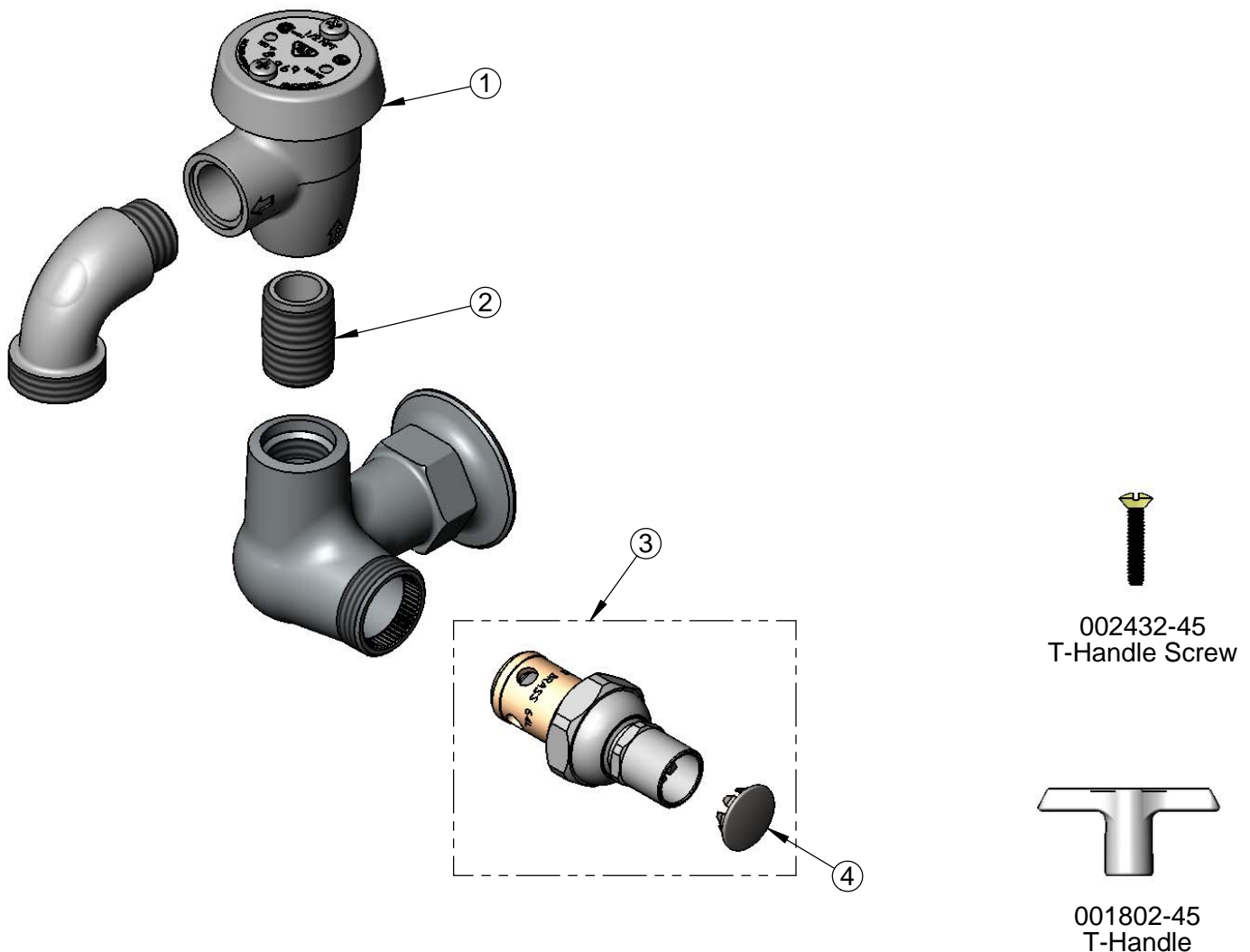
T&S BRASS AND BRONZE WORKS, INC.
 2 Saddleback Cove / P.O. Box 1088
 Travelers Rest, SC 29690

Model No.
B-0722

Item No.

Travelers Rest, SC: 800-476-4103 • Simi Valley, CA: 800-423-0150 • Fax: 864-834-3518 • www.tsbrass.com

| ITEM NO. | SALES NO. | DESCRIPTION |
|----------|-----------|--|
| 1 | B-0969 | 1/2" NPT Vacuum Breaker |
| 2 | 002534-25 | Close Nipple, 1/2" NPT |
| 3 | 124A | Loose Key Stop Cartridge, RTC w/ T-Handle, Screw & Cap |
| 4 | 001605-45 | Cap |



Product Specifications:
 Single Hole Single Temperature Wall Mount Sill Faucet, Loose Key Stop, Vacuum Breaker, Spout w/ Garden Hose Male Outlet, Polished Chrome Finish & 3/4" NPT Female Inlet

Product Compliance:
 ASME A112.18.1 / CSA B125.1
 NSF 61 - Section 9
 NSF 372 (Low Lead Content)
 ASSE 1001 (VB)