



**T&S BRASS AND BRONZE WORKS, INC.**  
 2 Saddleback Cove / P.O. Box 1088  
 Travelers Rest, SC 29690

Model No.  
**B-0719**

Item No.

Travelers Rest, SC: 800-476-4103 • Simi Valley, CA: 800-423-0150 • Fax: 864-834-3518 • www.tsbrass.com



**ADA Compliant**

This Space for Architect/Engineer Approval

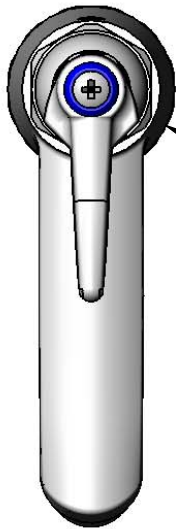
Job Name \_\_\_\_\_ Date \_\_\_\_\_

Model Specified \_\_\_\_\_ Quantity \_\_\_\_\_

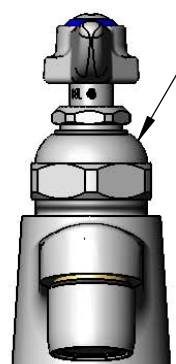
Customer/Wholesaler \_\_\_\_\_

Contractor \_\_\_\_\_

Architect/Engineer \_\_\_\_\_



Ø 1 3/4"  
 [44mm]  
 Base



Eterna Cartridge &  
 Lever Handle w/ Blue  
 (CW) Index

B-0199-02  
 2.2 GPM Aerator

7/8"  
 [22mm]

Mounting  
 Surface

4 1/8"  
 [105mm]

4 7/16"  
 [112mm]

2 5/16"  
 [59mm]

1/2" NPSM  
 Male Inlet

13/16"  
 [21mm]  
 Maximum  
 Thickness

150A  
 Optional Tailpiece & Nut  
 For 1/4" NPT Connection  
 (Included)

Rough-In Requirement:  
 Ø 1 1/8" [29mm] Mounting Hole

**Product Specifications:**

Single Hole Single Temperature Deck Mount Basin Faucet, Eterna Cartridge, Lever Handle, 2.2 GPM Aerator & 1/2" NPSM Male Inlet

**Product Compliance:**

ASME A112.18.1 / CSA B125.1  
 NSF 61 - Section 9  
 NSF 372 (Low Lead Content)  
 ANSI A117.1 (ADA)



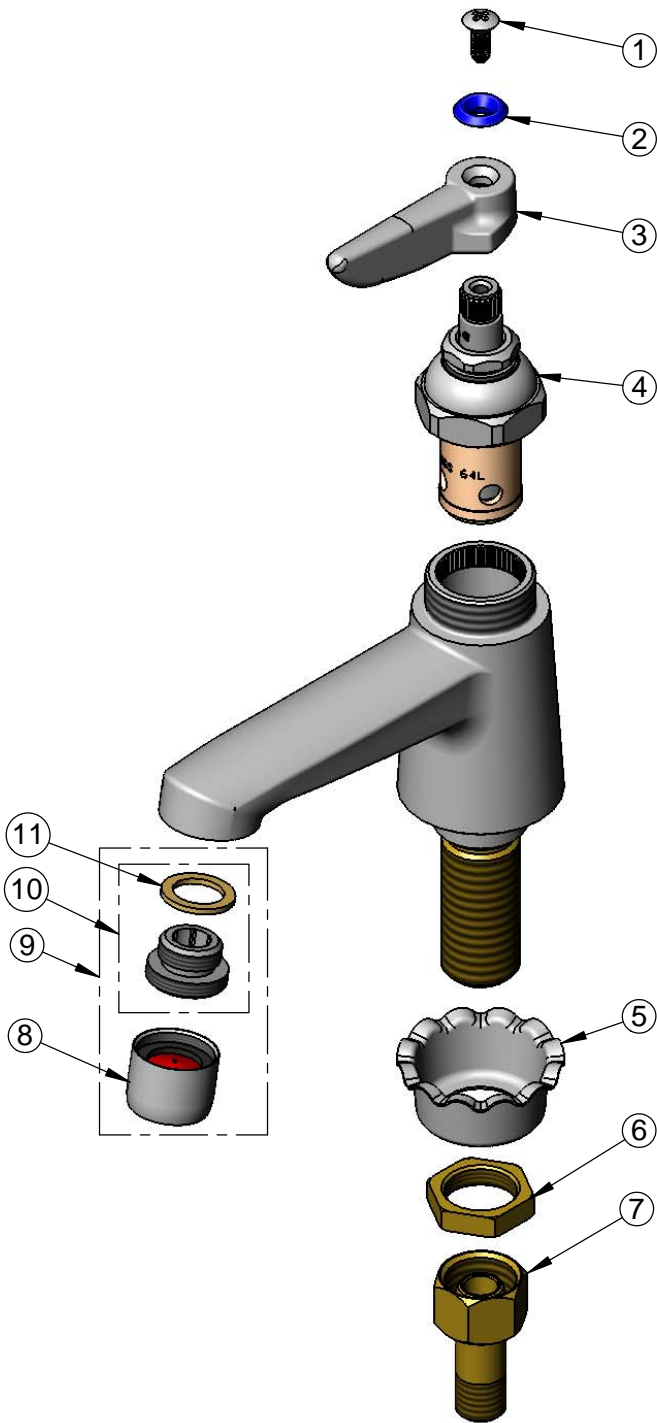
**T&S BRASS AND BRONZE WORKS, INC.**  
 2 Saddleback Cove / P.O. Box 1088  
 Travelers Rest, SC 29690

Model No.  
**B-0719**

Item No.

Travelers Rest, SC: 800-476-4103 • Simi Valley, CA: 800-423-0150 • Fax: 864-834-3518 • www.tsbrass.com

| ITEM NO. | SALES NO. | DESCRIPTION                          |
|----------|-----------|--------------------------------------|
| 1        | 000922-45 | Lever Handle Screw                   |
| 2        | 001660-45 | Blue Index-CW                        |
| 3        | 001638-45 | Lever Handle                         |
| 4        | 005960-40 | Eterna Cartridge, RTC                |
| 5        | 001000-45 | Rosette Washer                       |
| 6        | 002954-45 | Shank Lock Nut                       |
| 7        | 150A      | 1/4" NPT Tailpiece & Nut             |
| 8        | B-0199-01 | 2.2 GPM Aerator, 55/64"-27 UN Female |
| 9        | B-0199-02 | 2.2 GPM Aerator, 3/8" NPSM Male      |
| 10       | 044A      | 3/8" to Aerator Adapter w/ Washer    |
| 11       | 001043-45 | Washer                               |



**Product Specifications:**

Single Hole Single Temperature Deck Mount Basin Faucet, Eterna Cartridge, Lever Handle, 2.2 GPM Aerator & 1/2" NPSM Male Inlet

**Product Compliance:**

ASME A112.18.1 / CSA B125.1  
 NSF 61 - Section 9  
 NSF 372 (Low Lead Content)  
 ANSI A117.1 (ADA)