



T&S BRASS AND BRONZE WORKS, INC.

2 Saddleback Cove / P.O. Box 1088
Travelers Rest, SC 29690

Model No.

B-0712-VF05-PA

Item No.

Travelers Rest, SC: 800-476-4103 • Simi Valley, CA: 800-423-0150 • Fax: 864-834-3518 • www.tsbrass.com



ADA Compliant

This Space for Architect/Engineer Approval

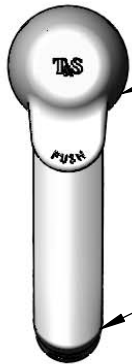
Job Name _____ Date _____

Model Specified _____ Quantity _____

Customer/Wholesaler _____

Contractor _____

Architect/Engineer _____



Pivot Action
Metering Cartridge
w/ Blank Handle &
Vandal Resistant
Screw

B-0199-07-N05
VR 0.5 GPM
Non-Aerated
Spray Device



Loosen Vandal Resistant
Screw (Do Not Remove).
Flip Handle Up to Access
Metering Adjustment.
(Metering Adjustment
Requires 3/32" Hex Key)

Ø 1 3/4"
[44mm]
Base

Mounting Surface

2 5/16"
[59mm]

1/2" NPSM
Male Inlet

7/8"
[22mm]

4 1/8"
[105mm]

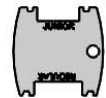
4 11/16"
[119mm]

150A
Optional Tailpiece
& Nut for 1/4" NPT
Connection (Included)

13/16"
[21mm]
Maximum
Thickness



Spanner Bit for Access
to Metering Adjustment
(Included)



Vandal Resistant Key
(Included)

Rough-In Requirement:
Ø 1 1/8" [29mm] Mounting Hole

Product Specifications:
Single Hole, Single Temperature Deck Mount Sill Faucet, Pivot Action
Metering Cartridge, VR 0.5 GPM Non-Aerated Spray Device &
1/2" NPSM Male Inlet

Product Compliance:
ASME A112.18.1 / CSA B125.1
NSF 61 - Section 9
NSF 372 (Low Lead Content)
ANSI A117.1 (ADA)



T&S BRASS AND BRONZE WORKS, INC.

2 Saddleback Cove / P.O. Box 1088
Travelers Rest, SC 29690

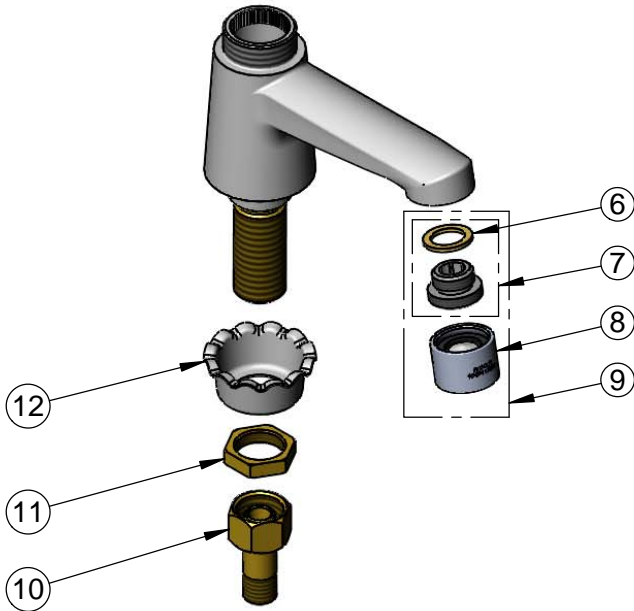
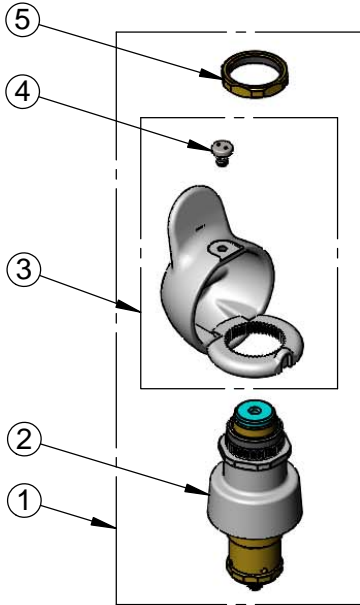
Model No.

B-0712-VF05-PA

Item No.

Travelers Rest, SC: 800-476-4103 • Simi Valley, CA: 800-423-0150 • Fax: 864-834-3518 • www.tsbrass.com

ITEM NO.	SALES NO.	DESCRIPTION
1	238AB-PA	Pivot Action Metering Cartridge w/ Blank PA Handle & Spanner Bit
2	238A-PA	Pivot Action Metering Cartridge w/ Retaining Nut
3	PA-B	Blank Pivot Action Handle w/ Spanner Bit
4	016654-45	Vandal Resistant SS Screw
5	PA-N	Retaining Nut
6	001043-45	Washer
7	044A	3/8" to Aerator Adapter
8	B-0199-06-N05	VR 0.5 GPM Non-Aerated Spray Device, 55/64-27 UN Female w/ Key
9	B-0199-07-N05	VR 0.5 GPM Non-Aerated Spray Device, 3/8" NPSM Male w/ Key
10	150A	1/4" NPT Tailpiece & Nut
11	002954-45	Shank Lock Nut
12	001000-45	Rosette Washer



Product Specifications:

Single Hole, Single Temperature Deck Mount Sill Faucet, Pivot Action Metering Cartridge, VR 0.5 GPM Non-Aerated Spray Device & 1/2" NPSM Male Inlet

Product Compliance:

ASME A112.18.1 / CSA B125.1
NSF 61 - Section 9
NSF 372 (Low Lead Content)
ANSI A117.1 (ADA)