



T&S BRASS AND BRONZE WORKS, INC.

2 Saddleback Cove / P.O. Box 1088
Travelers Rest, SC 29690

Model No.

B-0712-01VRS

Item No.

Travelers Rest, SC: 800-476-4103 • Simi Valley, CA: 800-423-0150 • Fax: 864-834-3518 • www.tsbrass.com



ADA Compliant

This Space for Architect/Engineer Approval

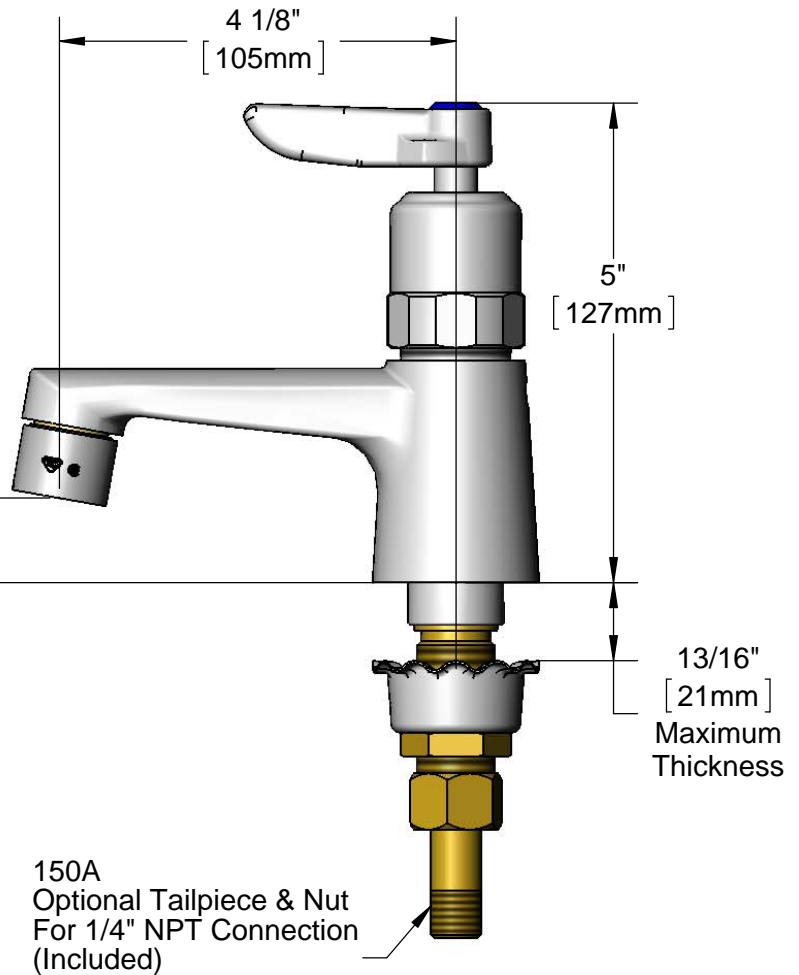
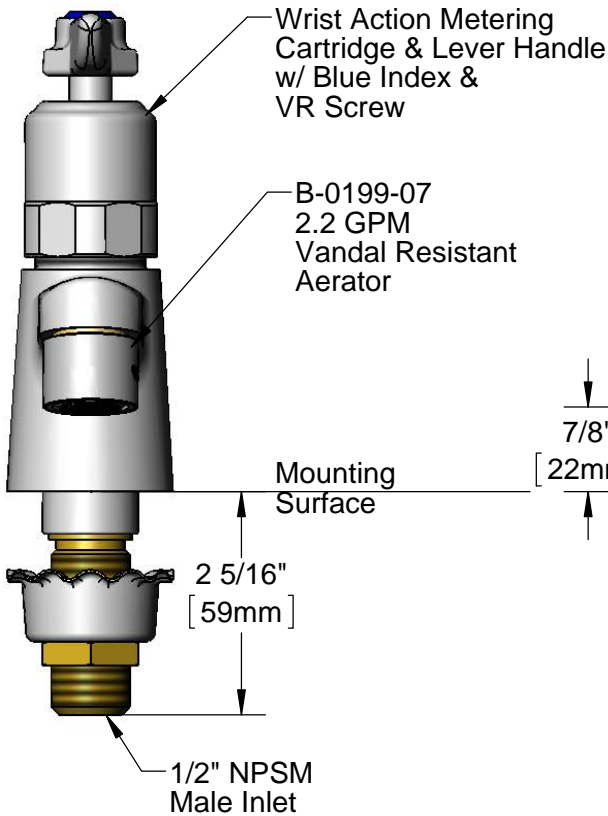
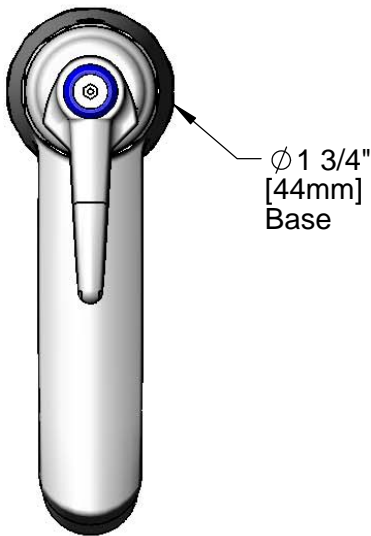
Job Name _____ Date _____

Model Specified _____ Quantity _____

Customer/Wholesaler _____

Contractor _____

Architect/Engineer _____



Rough-In Requirement:
Ø 1 1/8" [29mm] Mounting Hole

Product Specifications:

Single Hole Single Temperature Deck Mount Basin Faucet, Wrist Action Metering Cartridge, Lever Handle, VR Screw, 2.2 GPM VR Aerator & 1/2" NPSM Male Inlet

Product Compliance:

ASME A112.18.1 / CSA B125.1
NSF 61 - Section 9
NSF 372 (Low Lead Content)
ANSI A117.1 (ADA)



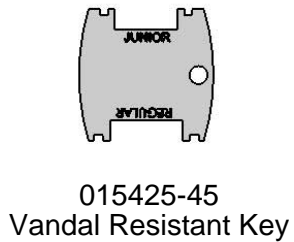
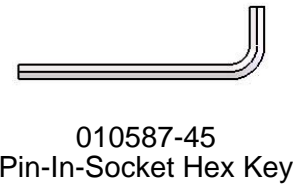
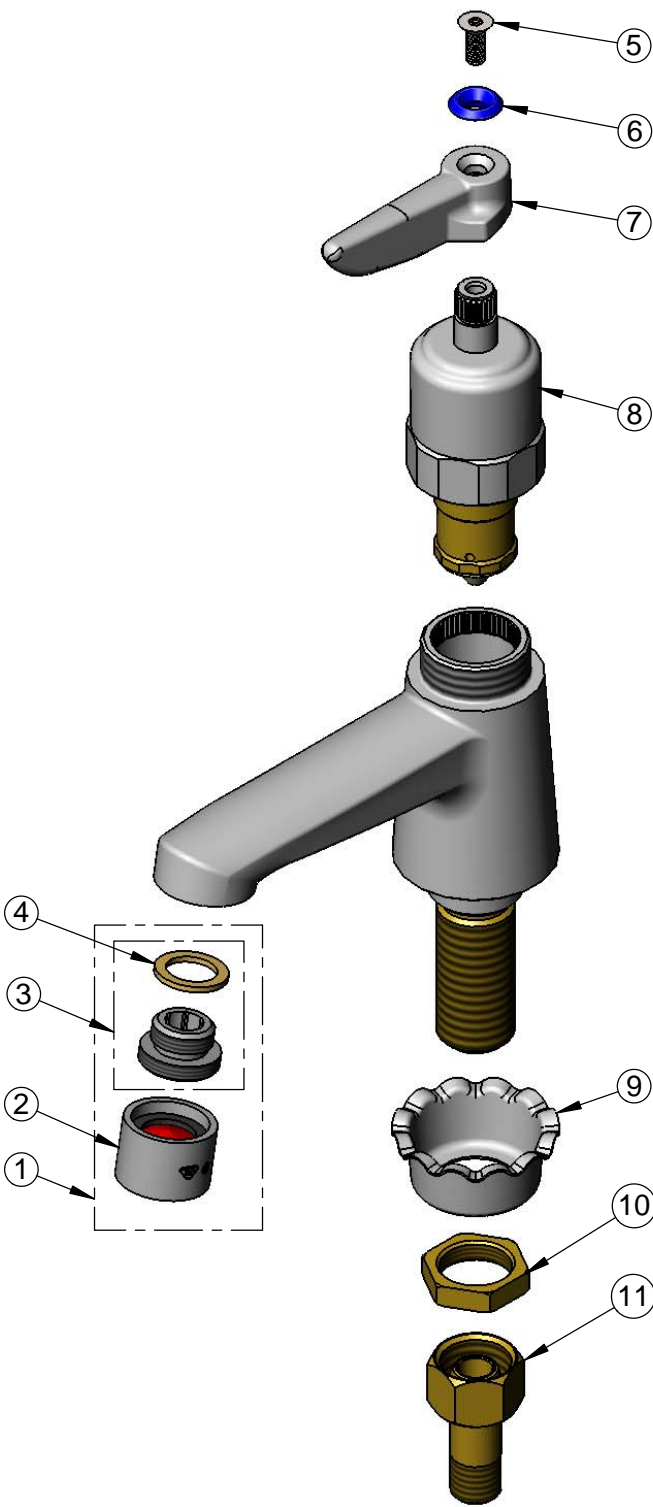
T&S BRASS AND BRONZE WORKS, INC.
 2 Saddleback Cove / P.O. Box 1088
 Travelers Rest, SC 29690

Model No.
B-0712-01VRS

Item No.

Travelers Rest, SC: 800-476-4103 • Simi Valley, CA: 800-423-0150 • Fax: 864-834-3518 • www.tsbrass.com

ITEM NO.	SALES NO.	DESCRIPTION
1	B-0199-07	VR 2.2 GPM Aerator, 3/8" NPSM Male w/ Key
2	B-0199-06	VR 2.2 GPM Aerator, 55/64-27 UN Female w/ Key
3	044A	3/8" to Aerator Adapter w/ Washer
4	001043-45	Washer
5	B-VRS	Pin-In-Socket Screw w/ Hex Key
6	001660-45	Blue Index-CW
7	001638-45	Lever Handle
8	012449-40	Wrist Action Metering Cartridge
9	001000-45	Rosette Washer
10	002954-45	Shank Lock Nut
11	150A	1/4" NPT Tailpiece & Nut



Product Specifications:
 Single Hole Single Temperature Deck Mount Basin Faucet, Wrist Action Metering Cartridge, Lever Handle, VR Screw, 2.2 GPM VR Aerator & 1/2" NPSM Male Inlet

Product Compliance:
 ASME A112.18.1 / CSA B125.1
 NSF 61 - Section 9
 NSF 372 (Low Lead Content)
 ANSI A117.1 (ADA)