



# T&S BRASS AND BRONZE WORKS, INC.

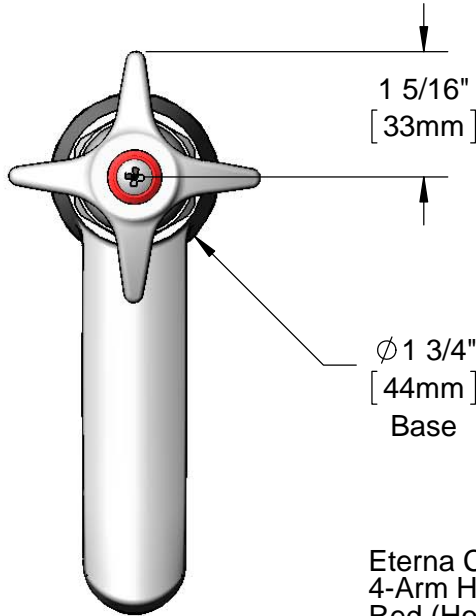
2 Saddleback Cove / P.O. Box 1088  
Travelers Rest, SC 29690

Model No.

**B-0710-HW**

Item No.

Travelers Rest, SC: 800-476-4103 • Simi Valley, CA: 800-423-0150 • Fax: 864-834-3518 • www.tsbrass.com



**ADA Compliant**

This Space for Architect/Engineer Approval

Job Name \_\_\_\_\_ Date \_\_\_\_\_

Model Specified \_\_\_\_\_ Quantity \_\_\_\_\_

Customer/Wholesaler \_\_\_\_\_

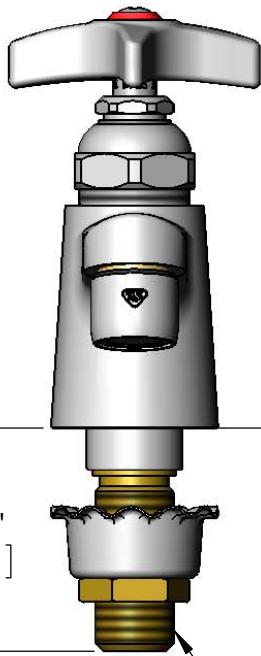
Contractor \_\_\_\_\_

Architect/Engineer \_\_\_\_\_

Ø 1 3/4"  
[44mm]  
Base



Eterna Cartridge &  
4-Arm Handle w/  
Red (Hot) Index



B-0199-02  
2.2 GPM  
Aerator

2 5/16"  
[59mm]

Mounting  
Surface

7/8"  
[22mm]

1/2" NPSM  
Male Inlet

150A  
Optional Tailpiece & Nut  
For 1/4" NPT Connection  
(Included)

Rough-In Requirement:  
Ø 1 1/8" [29mm] Mounting Hole

### Product Specifications:

Single Hole Single Temperature Deck Mount Basin Faucet, Eterna Cartridge, 4-Arm Kitchen Handle, Hot Index, 2.2 GPM Aerator & 1/2" NPSM Male Inlet

### Product Compliance:

ASME A112.18.1 / CSA B125.1  
NSF 61 - Section 9  
NSF 372 (Low Lead Content)  
ANSI A117.1 (ADA)

4 3/8"  
[111mm]

4 1/8"  
[105mm]

13/16"  
[21mm]  
Maximum  
Thickness

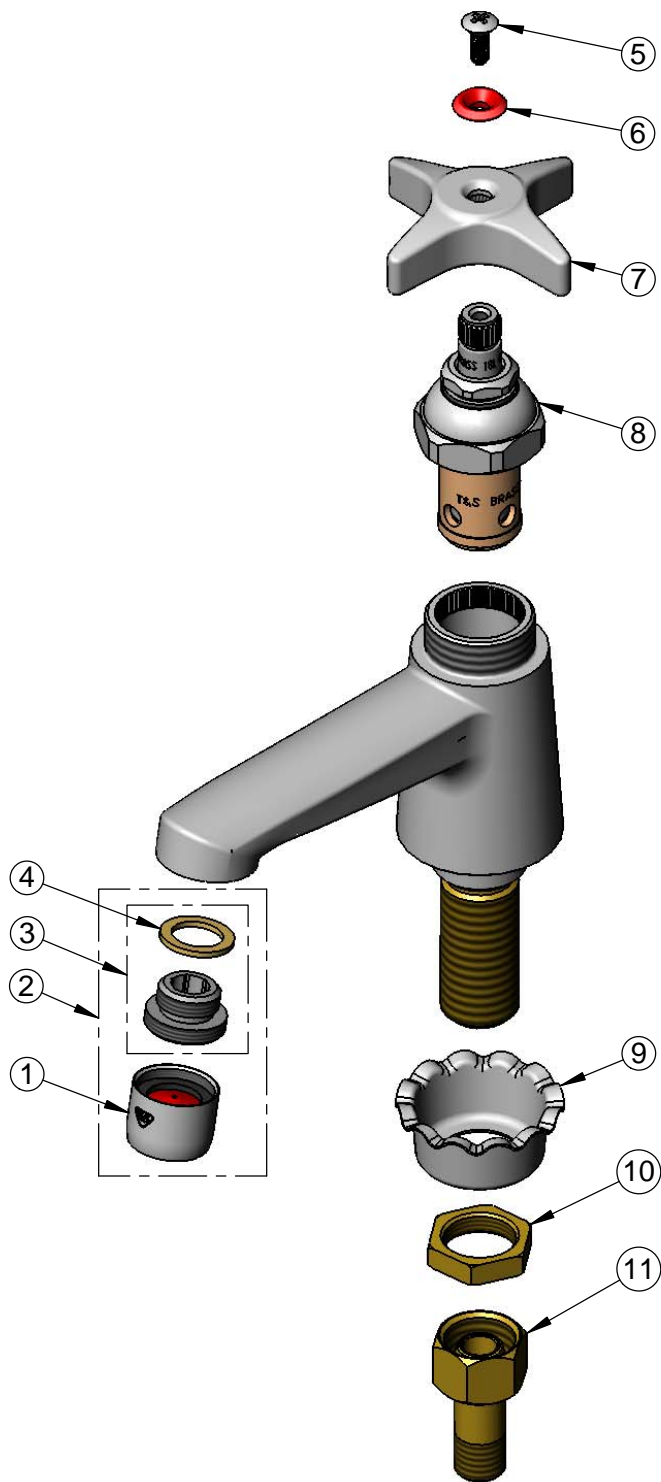


**T&S BRASS AND BRONZE WORKS, INC.**  
 2 Saddleback Cove / P.O. Box 1088  
 Travelers Rest, SC 29690

Model No.  
**B-0710-HW**  
 Item No.

Travelers Rest, SC: 800-476-4103 • Simi Valley, CA: 800-423-0150 • Fax: 864-834-3518 • www.tsbrass.com

ITEM NO.	SALES NO.	DESCRIPTION
1	B-0199-01	2.2 GPM Aerator, 55/64"-27 UN Female
2	B-0199-02	2.2 GPM Aerator, 3/8" NPSM Male
3	044A	3/8" to Aerator Adapter w/ Washer
4	001043-45	Washer
5	000922-45	Lever Handle Screw
6	001661-45	Red Index-HW
7	002521-45	4-Arm Handle
8	005960-40	Eterna Cartridge, RTC
9	001000-45	Rosette Washer
10	002954-45	Shank Lock Nut
11	150A	1/4" NPT Tailpiece & Nut



**Product Specifications:**

Single Hole Single Temperature Deck Mount Basin Faucet, Eterna Cartridge, 4-Arm Kitchen Handle, Hot Index, 2.2 GPM Aerator & 1/2" NPSM Male Inlet

**Product Compliance:**

ASME A112.18.1 / CSA B125.1  
 NSF 61 - Section 9  
 NSF 372 (Low Lead Content)  
 ANSI A117.1 (ADA)