



T&S BRASS AND BRONZE WORKS, INC.

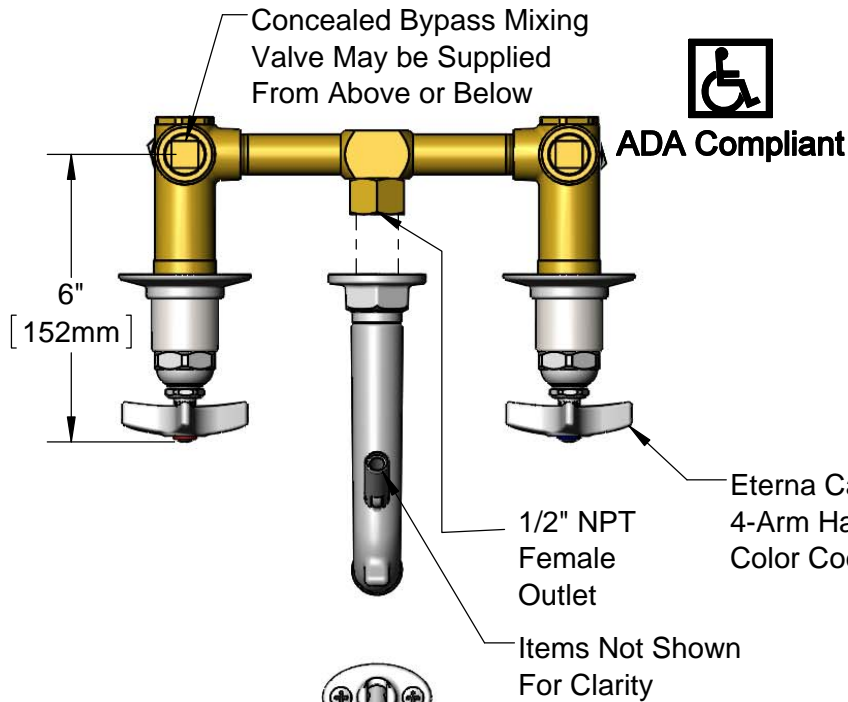
2 Saddleback Cove / P.O. Box 1088
Travelers Rest, SC 29690

Model No.

B-0698

Item No.

Travelers Rest, SC: 800-476-4103 • Simi Valley, CA: 800-423-0150 • Fax: 864-834-3518 • www.tsbrass.com



This Space for Architect/Engineer Approval

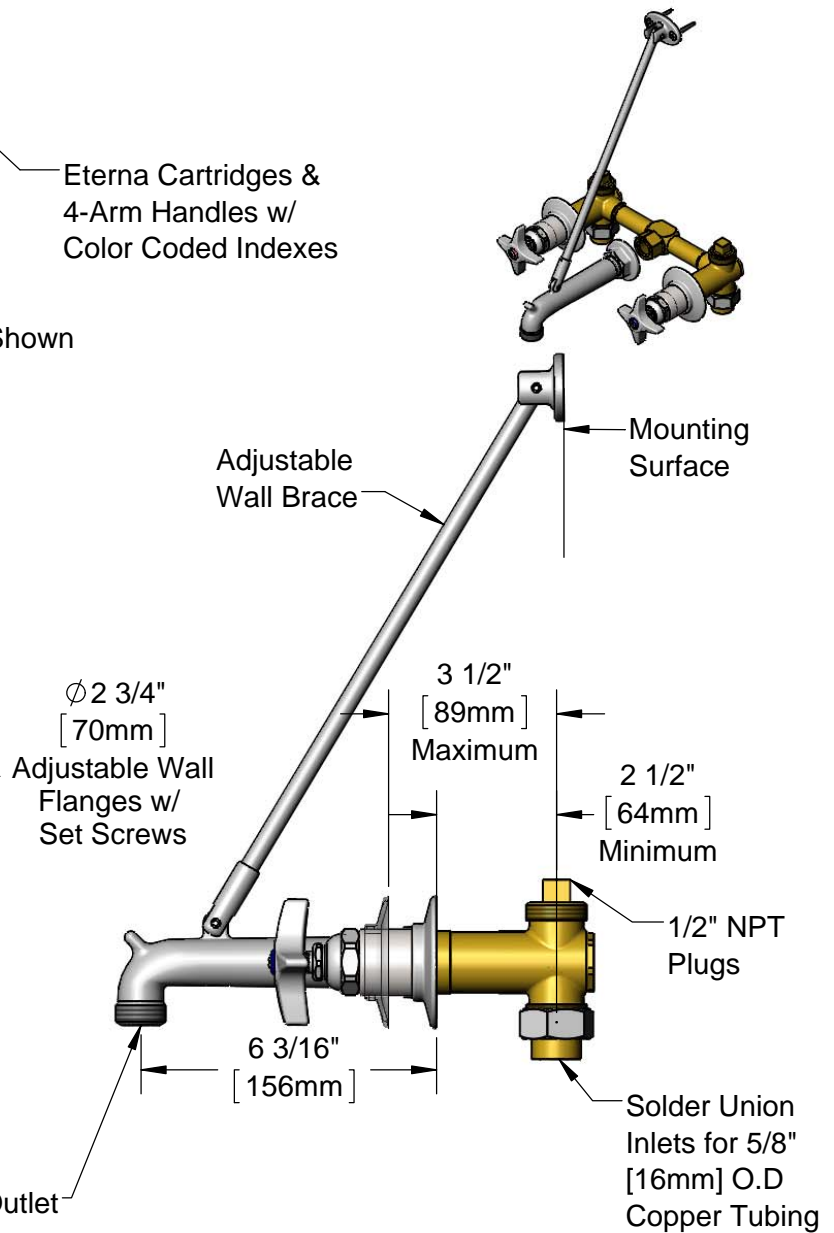
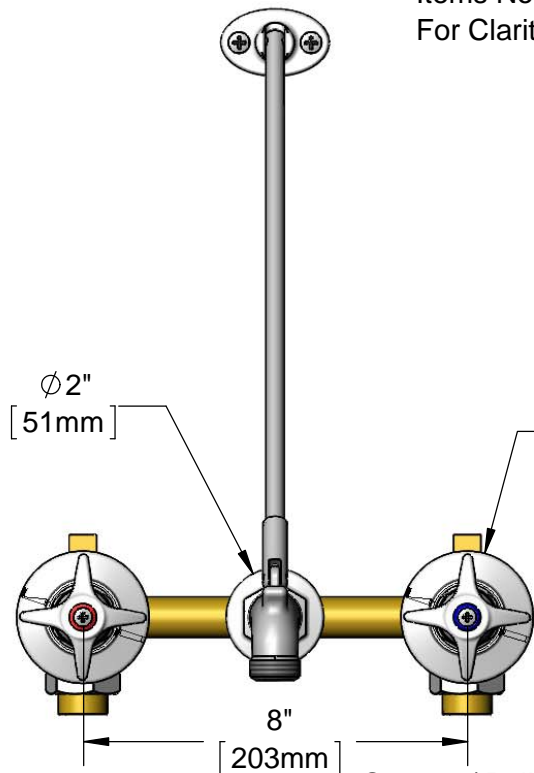
Job Name _____ Date _____

Model Specified _____ Quantity _____

Customer/Wholesaler _____

Contractor _____

Architect/Engineer _____



Rough-In Requirement:
Ø1 1/2" [38mm] Mounting Holes

Product Specifications:

8" Wall Mount Concealed Mixing Valve, Eterna Cartridges, 4-Arm Handles, Spout w/ Pail Hook & Male Garden Hose Outlet, Upper Support Rod & Solder Union Inlets for 5/8" O.D. Copper Tubing

Product Compliance:

ASME A112.18.1 / CSA B125.1
NSF 61 Exempt (Non-Potable)
ANSI A117.1 (ADA)



T&S BRASS AND BRONZE WORKS, INC.

2 Saddleback Cove / P.O. Box 1088
Travelers Rest, SC 29690

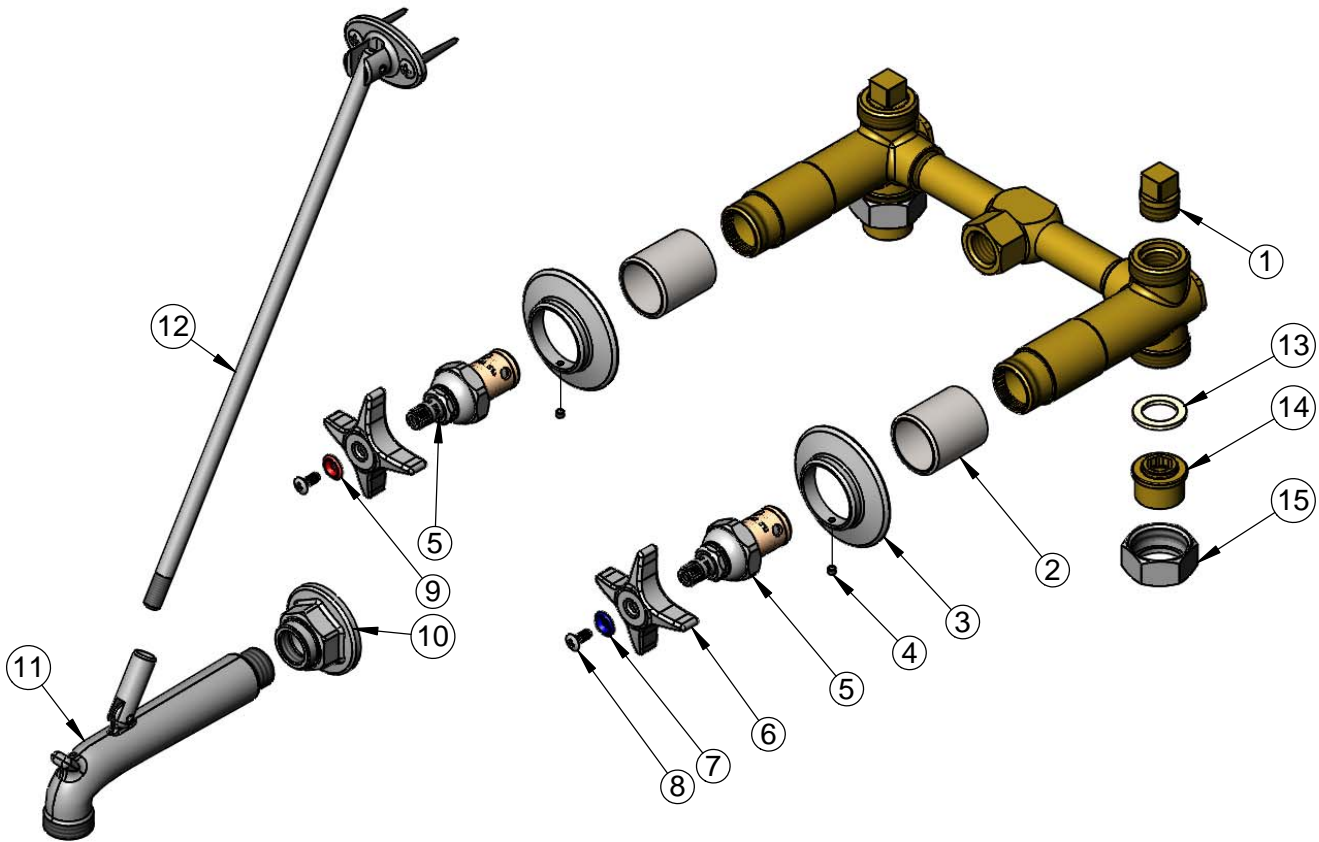
Model No.

B-0698

Item No.

Travelers Rest, SC: 800-476-4103 • Simi Valley, CA: 800-423-0150 • Fax: 864-834-3518 • www.tsbrass.com

ITEM NO.	SALES NO.	DESCRIPTION
1	001347-20	1/2" NPT Square Head Plug
2	151F	Escutcheon Tube
3	001501-40	Escutcheon
4	000939-45	Escutcheon, Set Screw
5	005960-40	Eterna Cartridge, RTC
6	002521-45	4-Arm Handle
7	001660-45	Blue Index-CW
8	000922-45	Lever Handle Screw
9	001661-45	Red Index-HW
10	000013-40	Flange, 1/2" NPT Wall Mount
11	009545-40	Nozzle w/ Clevis - Polished Chrome
12	009546-40	Support Rod - Polished Chrome
13	001019-45	Coupling Nut Washer
14	000763-20	Seat
15	000721-25	Flange Coupling Nut



Product Specifications:

8" Wall Mount Concealed Mixing Valve, Eterna Cartridges, 4-Arm Handles, Spout w/ Pail Hook & Male Garden Hose Outlet, Upper Support Rod & Solder Union Inlets for 5/8" O.D. Copper Tubing

Product Compliance:

ASME A112.18.1 / CSA B125.1
NSF 61 Exempt (Non-Potable)
ANSI A117.1 (ADA)