



T&S BRASS AND BRONZE WORKS, INC.
 2 Saddleback Cove / P.O. Box 1088
 Travelers Rest, SC 29690

Model No.
B-0697-ST

Item No.

Travelers Rest, SC: 800-476-4103 • Simi Valley, CA: 800-423-0150 • Fax: 864-834-3518 • www.tsbrass.com



ADA Compliant

This Space for Architect/Engineer Approval

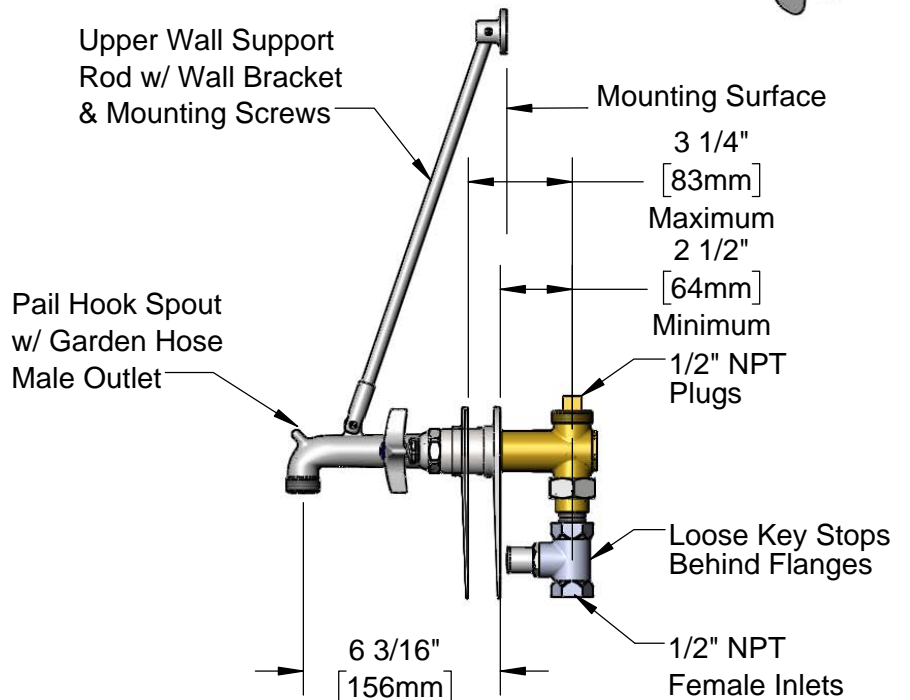
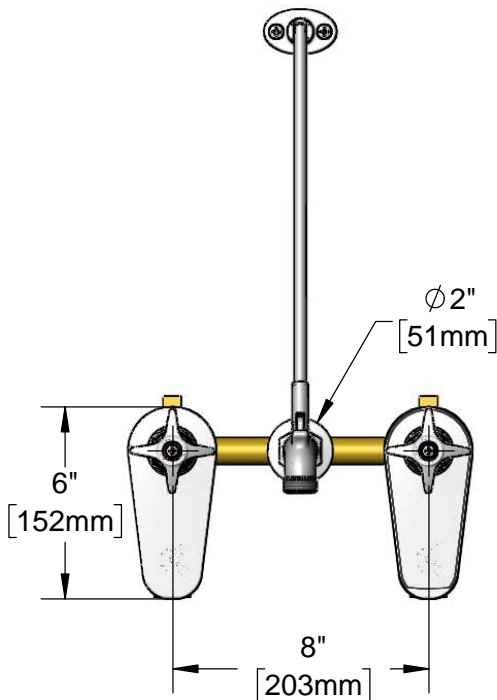
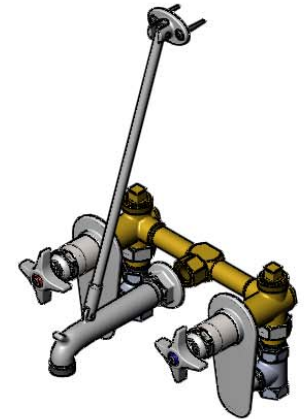
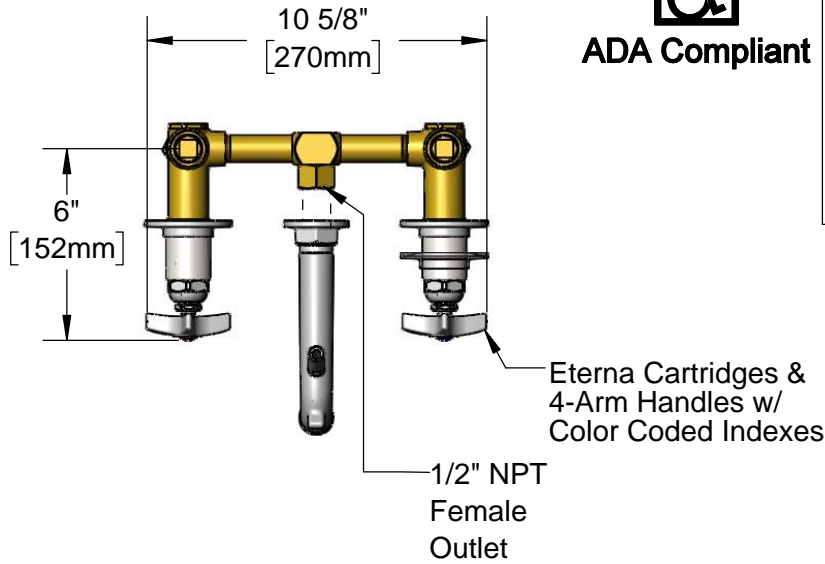
Job Name _____ Date _____

Model Specified _____ Quantity _____

Customer/Wholesaler _____

Contractor _____

Architect/Engineer _____



Rough-In Requirement:
 $\phi 1 \frac{1}{2}''$ [38mm] Mounting Holes

Product Specifications:
 8" Wall Mount Concealed Mixing Valve, Eterna Cartridges, Loose Key Stops, 4-Arm Handles, Spout w/ Pail Hook & Male Garden Hose Outlet, Upper Support Rod & 1/2" Female Inlets

Product Compliance:
 ASME A112.18.1 / CSA B125.1
 NSF 61 - Section 9
 NSF 372 (Low Lead Content)
 ANSI A117.1 (ADA)



T&S BRASS AND BRONZE WORKS, INC.

2 Saddleback Cove / P.O. Box 1088
Travelers Rest, SC 29690

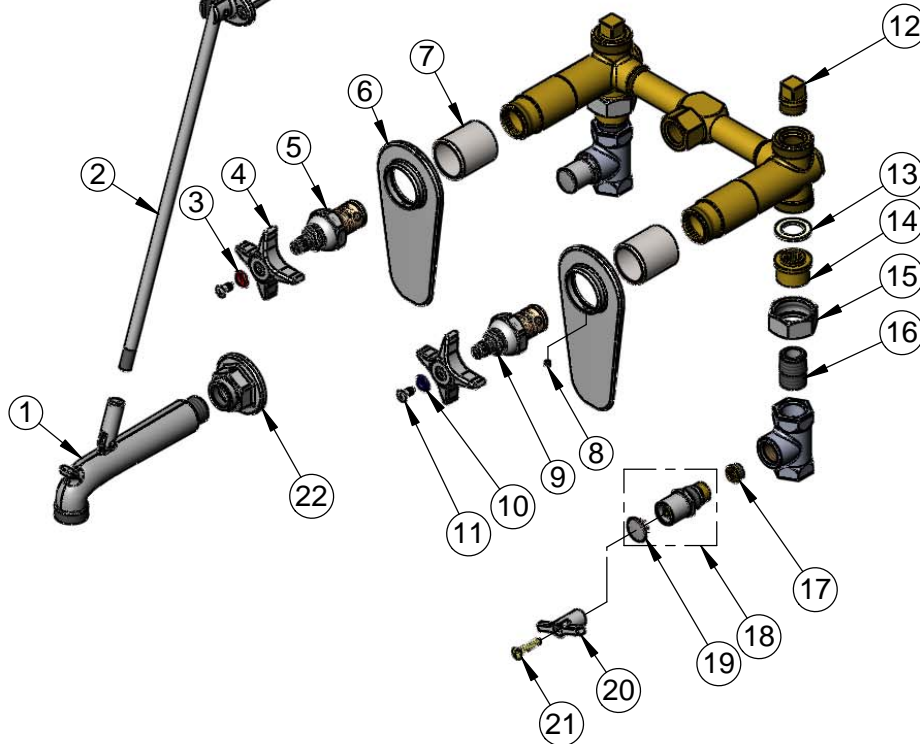
Model No.

B-0697-ST

Item No.

Travelers Rest, SC: 800-476-4103 • Simi Valley, CA: 800-423-0150 • Fax: 864-834-3518 • www.tsbrass.com

ITEM NO.	SALES NO.	DESCRIPTION
1	009545-40	Nozzle w/ Clevis - Polished Chrome
2	009546-40	Support Rod - Polished Chrome
3	001661-45	Red Index-HW
4	002521-45	4-Arm Handle
5	005960-40	Eterna Cartridge, RTC
6	002820-40	Tear-Drop Escutcheon
7	151F	Escutcheon Tube
8	000939-45	Escutcheon, Set Screw
9	005959-40	Eterna Cartridge, LTC
10	001660-45	Blue Index-CW
11	000922-45	Lever Handle Screw
12	001347-20	1/2" NPT Square Head Plug
13	001019-45	Coupling Nut Washer
14	153F	Union Half, 1/2 NPT w/ Washer
15	000721-25	Flange Coupling Nut
16	002534-25	Close Nipple, 1/2" NPT
17	000763-20	Seat
18	02892-40	Stop Spindle w/ Cap
19	001605-45	Cap
20	001802-45	Handle, Supply Stop "T"
21	002432-45	Screw, Tee Handle
22	000013-40	Flange, 1/2" NPT Wall Mount



Product Specifications:

8" Wall Mount Concealed Mixing Valve, Eterna Cartridges, Loose Key Stops, 4-Arm Handles, Spout w/ Pail Hook & Male Garden Hose Outlet, Upper Support Rod & 1/2" Female Inlets

Product Compliance:

ASME A112.18.1 / CSA B125.1
NSF 61 - Section 9
NSF 372 (Low Lead Content)
ANSI A117.1 (ADA)