



T&S BRASS AND BRONZE WORKS, INC.

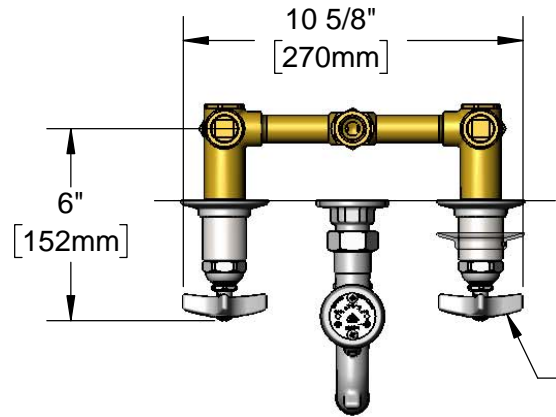
2 Saddleback Cove / P.O. Box 1088
Travelers Rest, SC 29690

Model No.

B-0695

Item No.

Travelers Rest, SC: 800-476-4103 • Simi Valley, CA: 800-423-0150 • Fax: 864-834-3518 • www.tsbrass.com



ADA Compliant

This Space for Architect/Engineer Approval

Job Name _____ Date _____

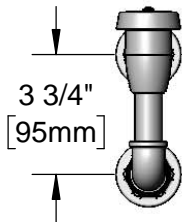
Model Specified _____ Quantity _____

Customer/Wholesaler _____

Contractor _____

Architect/Engineer _____

Eterna Cartridges & 4-Arm Handles w/ Color Coded Indexes



B-0969
1/2" NPT
Vacuum
Breaker

Upper Wall Support
Rod w/ Wall Bracket
& Mounting Screws

1/2" NPT
Female Outlet
Behind Wall

Mounting Surface

Ø 2" [51mm]
Flanges w/
1/2" NPT
Female
Inlet/Outlet

Concealed
Mixing Valve

1/2" NPT
Female Inlets

Pail Hook Spout
w/ Garden Hose
Male Outlet

8 13/16"
[224mm]

Ø 2 5/8"
[66mm]

8"
[203mm]

Ø 2"
[51mm]
Flange

6 3/16"
[156mm]

2 1/4"
[57mm]
Minimum
3 1/4"
[83mm]
Maximum

Rough-In Requirement:
(2) Ø 1 1/2" [38mm] Mounting Holes
for Concealed Mixing Valve

Product Specifications:
8" Wall Mount Concealed Mixing Valve, Eterna Cartridges, 4-Arm
Handles, Elevated Vacuum Breaker, Spout w/ Garden Hose
Male Outlet & Upper Support Rod & 1/2" Female Inlets/Outlets

Product Compliance:
ASME A112.18.1 / CSA B125.1
NSF 61 - Section 9
NSF 372 (Low Lead Content)
ANSI A117.1 (ADA)
ASSE 1001 (VB)



T&S BRASS AND BRONZE WORKS, INC.

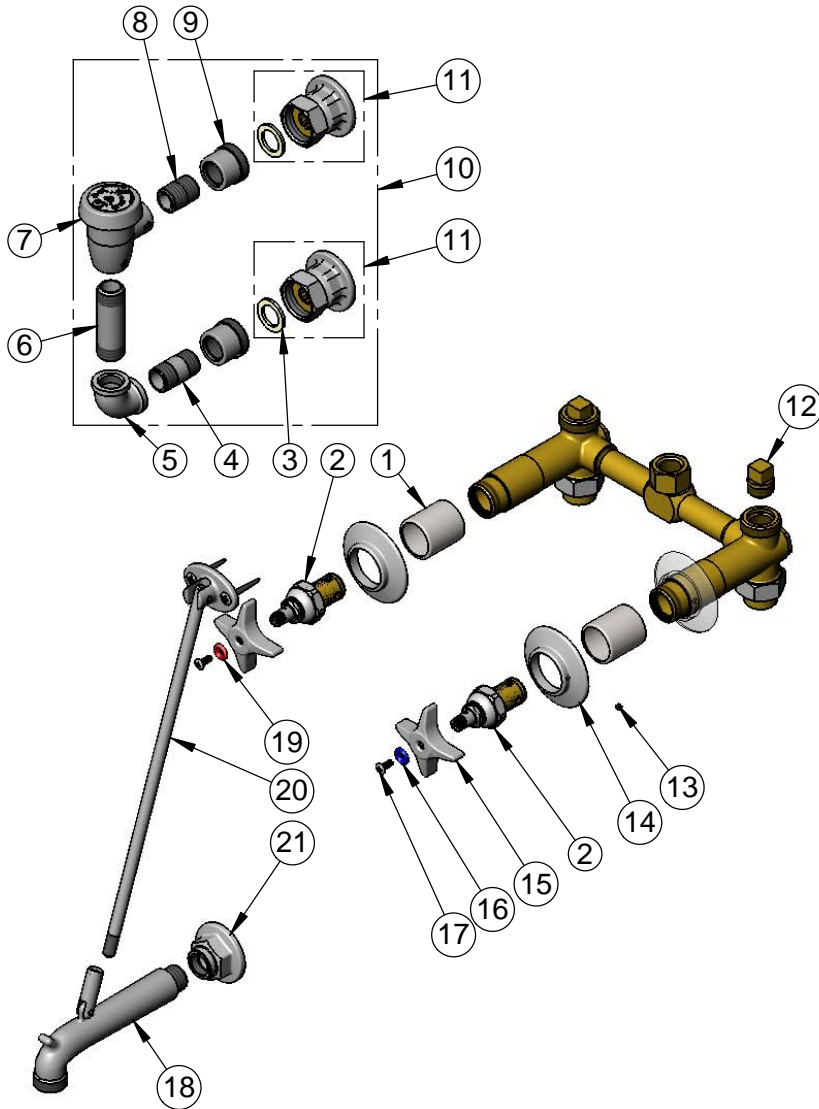
2 Saddleback Cove / P.O. Box 1088
Travelers Rest, SC 29690

Model No.

B-0695

Item No.

Travelers Rest, SC: 800-476-4103 • Simi Valley, CA: 800-423-0150 • Fax: 864-834-3518 • www.tsbrass.com



ITEM NO.	SALES NO.	DESCRIPTION
1	151F	Escutcheon Tube
2	005960-40	Eterna Cartridge, RTC
3	001019-45	Coupling Nut Washer
4	001509-40	Nipple, 1/2" NPT x 1 1/2"
5	001357-40	1/2" NPT Elbow
6	001510-40	Nipple, 1/2" NPT x 2 5/8"
7	B-0969	1/2" NPT Vacuum Breaker
8	002534-25	Close Nipple, 1/2" NPT
9	000870-40	Union, Male Half
10	B-0929-A	1/2" NPT Atmospheric Vacuum Breaker
11	00AA	1/2" NPT Eccentric Female Flange
12	001347-20	1/2" NPT Plug
13	000939-45	Escutcheon, Set Screw
14	001501-40	Escutcheon
15	002521-45	4-Arm Handle
16	001660-45	Blue Index-CW
17	000922-45	Lever Handle Screw
18	009545-40	Spout w/ Male GH Outlet & Upper Clevis - Polished Chrome
19	001661-45	Red Index-HW
20	009546-40	Upper Support Rod
21	000013-40	Flange, 1/2" NPT Wall Mount

Product Specifications:

8" Wall Mount Concealed Mixing Valve, Eterna Cartridges, 4-Arm Handles, Elevated Vacuum Breaker, Spout w/ Garden Hose Male Outlet & Upper Support Rod & 1/2" Female Inlets/Outlets

Product Compliance:

ASME A112.18.1 / CSA B125.1
NSF 61 - Section 9
NSF 372 (Low Lead Content)
ANSI A117.1 (ADA)
ASSE 1001 (VB)