



T&S BRASS AND BRONZE WORKS, INC.
 2 Saddleback Cove / P.O. Box 1088
 Travelers Rest, SC 29690

Model No.
B-0692

Item No.

Travelers Rest, SC: 800-476-4103 • Simi Valley, CA: 800-423-0150 • Fax: 864-834-3518 • www.tsbrass.com

This Space for Architect/Engineer Approval

Job Name _____ Date _____

Model Specified _____ Quantity _____

Customer/Wholesaler _____

Contractor _____

Architect/Engineer _____



Mounting Surface

B-0929A
 1/2" NPT Elevated
 Vacuum Breaker

3 5/8"
 [92mm]

1/2" NPT
 Female Outlet

1/2" NPT
 Female Inlet

Ø2"
 [51mm]
 Flanges

3 3/4"
 [95mm]



1/2" NPT
 Female Outlet

1/2" NPT
 Female Inlet

Shut-Off Valve
 w/ Key

Spout w/ Extension
 & Garden Hose
 Male Outlet

Ø2 3/4"
 [70mm]
 Adjustable
 Flange



Ø2"
 [51mm]
 Flange



3 13/16"
 [97mm]

2 1/4"
 [57mm]
 Minimum

Product Specifications:

Spout w/ Garden Hose Male Outlet, Concealed Loose Key Shut-Off Valve & Elevated Vacuum Breaker

Product Compliance:

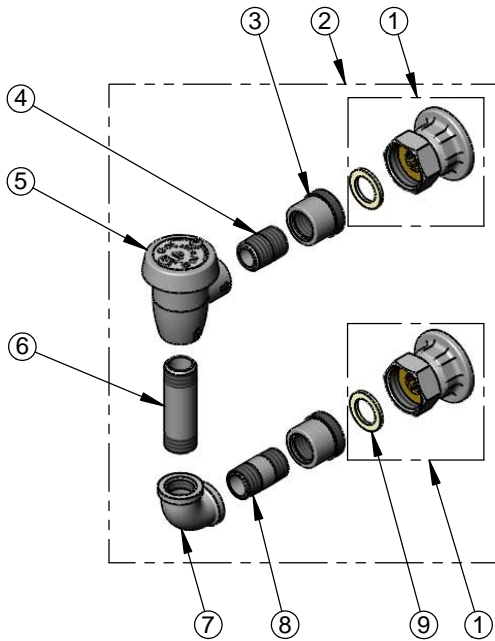
ASME A112.18.1 / CSA B125.1
 NSF 61 Exempt (Non-Potable)
 ASSE 1001 (VB)



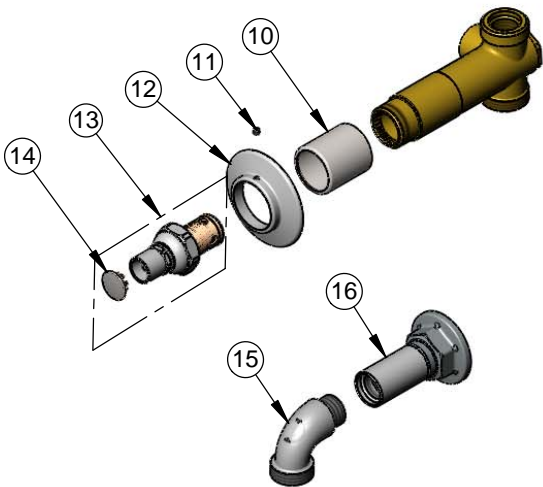
T&S BRASS AND BRONZE WORKS, INC.
 2 Saddleback Cove / P.O. Box 1088
 Travelers Rest, SC 29690

Model No.
B-0692
 Item No.

Travelers Rest, SC: 800-476-4103 • Simi Valley, CA: 800-423-0150 • Fax: 864-834-3518 • www.tsbrass.com



ITEM NO.	SALES NO.	DESCRIPTION
1	00AA	1/2" NPT Female Eccentric Flange
2	B-0929A	1/2" NPT Atmospheric Vacuum Breaker
3	000870-40	BL-6520-01 Male Half Union
4	002534-25	Close Nipple, 1/2" NPT
5	B-0969	1/2" NPT Vacuum Breaker
6	001510-40	Nipple, 1/2" x 2 5/8"
7	001357-40	Cast Elbow, 1/2"
8	001509-40	Nipple, 1/2" NPT X 1 1/2"
9	001019-45	Coupling Nut Washer
10	151F	Escutcheon Tube
11	000939-45	Escutcheon, Set Screw
12	001501-40	Escutcheon
13	124A	Loose Key Stop w/ T-handle, Screw & Cap
14	001605-45	Cap
15	001618-40	Spout, Short
16	B-0446	Inlet Extension



Product Specifications:
 Spout w/ Garden Hose Male Outlet, Concealed Loose Key Shut-Off Valve & Elevated Vacuum Breaker

Product Compliance:
 ASME A112.18.1 / CSA B125.1
 NSF 61 Exempt (Non-Potable)
 ASSE 1001 (VB)