



T&S BRASS AND BRONZE WORKS, INC.

2 Saddleback Cove / P.O. Box 1088
Travelers Rest, SC 29690

Model No.

B-0682-ST

Item No.

Travelers Rest, SC: 800-476-4103 • Simi Valley, CA: 800-423-0150 • Fax: 864-834-3518 • www.tsbrass.com

This Space for Architect/Engineer Approval

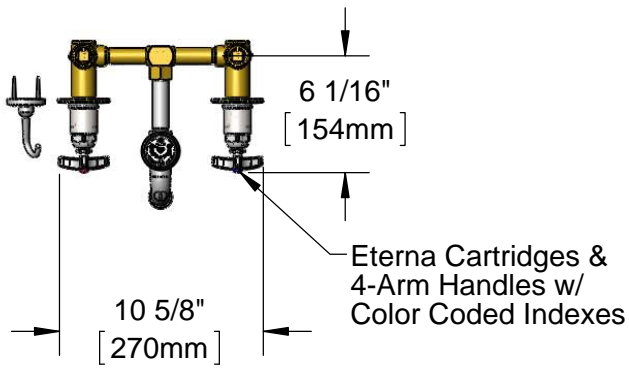
Job Name _____ Date _____

Model Specified _____ Quantity _____

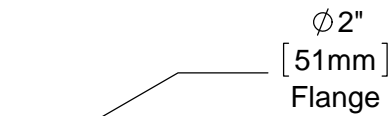
Customer/Wholesaler _____

Contractor _____

Architect/Engineer _____



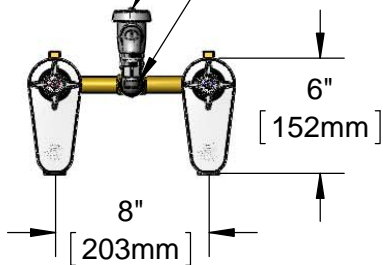
Eterna Cartridges & 4-Arm Handles w/ Color Coded Indexes



B-0068-R
68" Reinforced PVC
Hose & Spray Valve
w/ Extended Nozzle

B-0969
Vacuum Breaker

Items Not Shown
for Clarity



B-0104-D
Dummy Wall
Hook

Mounting
Surface

4 15/16"
[126mm]

2 3/8"
[61mm]

4"
[101mm]

Concealed
Mixing Valve

Loose Key
Valve Behind
Wall Flanges

1/2" NPT
Female Inlets

2 1/4"
[57mm]
Minimum

3 1/2"
[89mm]
Maximum

Rough-In Requirement:
(2) Ø 1 1/2" [38mm] Mounting Holes

Product Specifications:

Bedpan Washer, 8" Concealed Bypass Mixing Valve, Eterna Cartridges, 4-Arm Handles, Vacuum Breaker, 68" Reinforced PVC Hose, Spray Valve w/ Extended Nozzle, Dummy Wall Hook, Loose Key Stops & 1/2" NPT Female Inlets

Product Compliance:

ASME A112.18.1 / CSA B125.1
NSF 61 - Section 9
NSF 372 (Low Lead Content)
ASSE 1001 (VB)



T&S BRASS AND BRONZE WORKS, INC.

2 Saddleback Cove / P.O. Box 1088
Travelers Rest, SC 29690

Model No.

B-0682-ST

Item No.

Travelers Rest, SC: 800-476-4103 • Simi Valley, CA: 800-423-0150 • Fax: 864-834-3518 • www.tsbrass.com

	ITEM NO.	SALES NO.	DESCRIPTION
		1	002865-40
2		010476-45	#27 Washer
3		000907-45	Spray Valve Hold Down Ring
4		B-0068-R	68" Reinforced PVC Hose
5		001618-40	Spout, Short
6		001019-45	Coupling Nut Washer
7		059A	Adapter, Garden Hose
8		B-0969	1/2" NPT Vacuum Breaker
9		001661-45	Red Index-HW
10		002521-45	4-Arm Handle
11		005960-40	Eterna Cartridge, RTC
12		002820-40	Escutcheon, Tear Drop
13		151F	Escutcheon Tube
14		B-0104	Dummy Wall Hook
15		001347-20	1/2" NPT Square Head Plug
16		001019-45	Coupling Nut Washer
17		153F	Union Half, 1/2 NPT w/ Washer
18		000721-25	Flange Coupling Nut
19		002534-25	Close Nipple, 1/2" NPT
20		000763-20	Seat
21		002892-40	Service Stop Spindle w/ Cap
22		001605-45	Cap
23		000939-45	Escutcheon, Set Screw
24		001660-45	Blue Index-CW
25		000922-45	Lever Handle Screw
26		002556-40	Nipple, 1/2" NPT x 3 1/2"
27		001357-40	Cast Elbow, 1/2"

Product Specifications:
Bedpan Washer, 8" Concealed Bypass Mixing Valve, Eterna Cartridges, 4-Arm Handles, Vacuum Breaker, 68" Reinforced PVC Hose, Spray Valve w/ Extended Nozzle, Dummy Wall Hook, Loose Key Stops & 1/2" NPT Female Inlets

Product Compliance:
ASME A112.18.1 / CSA B125.1
NSF 61 - Section 9
NSF 372 (Low Lead Content)
ASSE 1001 (VB)