



# T&S BRASS AND BRONZE WORKS, INC.

2 Saddleback Cove / P.O. Box 1088  
Travelers Rest, SC 29690

Model No.

**B-0680**

Item No.

Travelers Rest, SC: 800-476-4103 • Simi Valley, CA: 800-423-0150 • Fax: 864-834-3518 • www.tsbrass.com

This Space for Architect/Engineer Approval

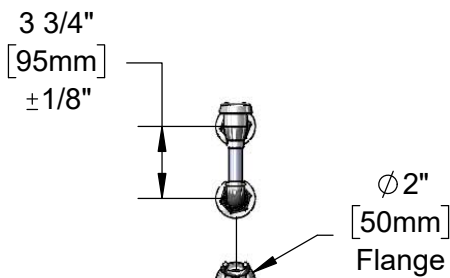
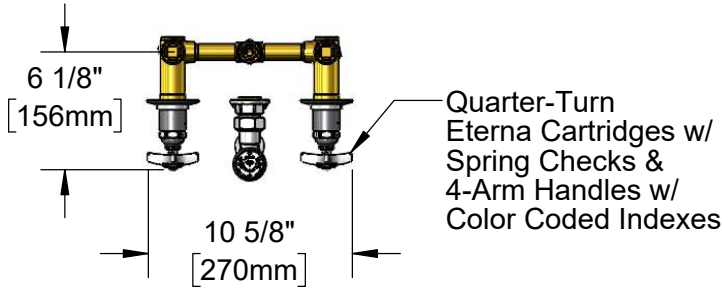
Job Name \_\_\_\_\_ Date \_\_\_\_\_

Model Specified \_\_\_\_\_ Quantity \_\_\_\_\_

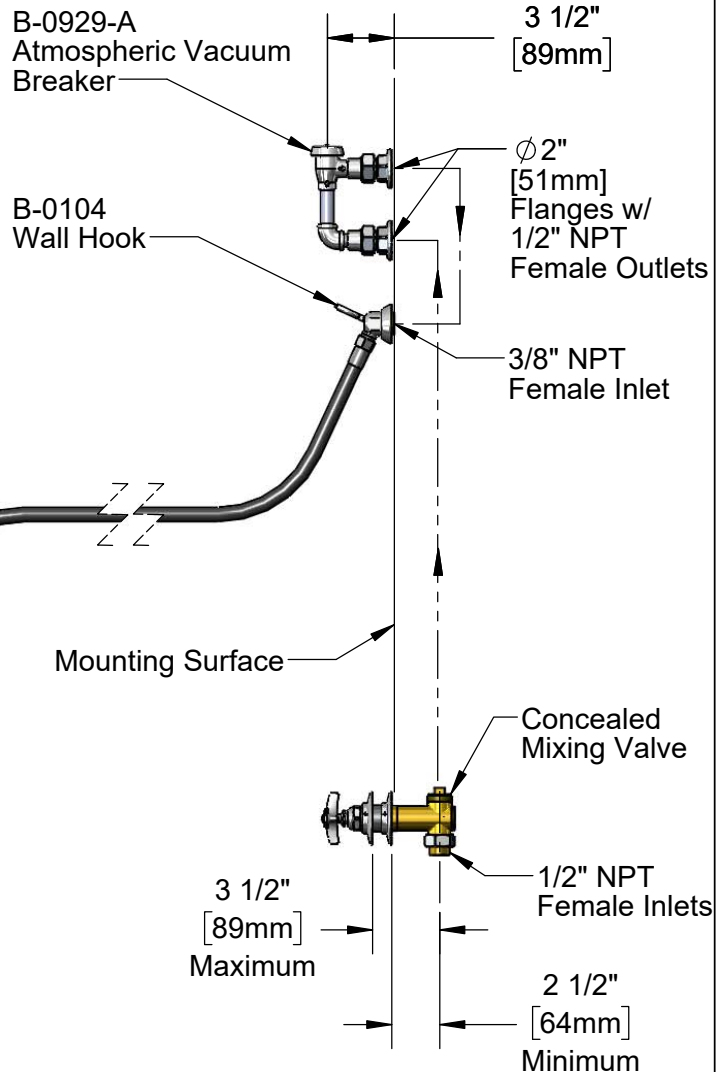
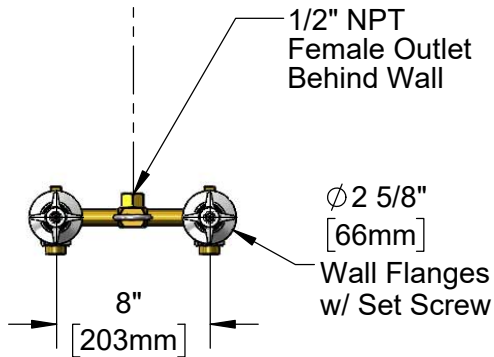
Customer/Wholesaler \_\_\_\_\_

Contractor \_\_\_\_\_

Architect/Engineer \_\_\_\_\_



B-0068-R  
68" Reinforced PVC Hose & Spray Valve w/ Extended Nozzle



**Rough-In Requirement:**  
(2) Ø 1 1/2" [38mm] Mounting Holes for Concealed Mixing Valve

**Product Specifications:**

Bedpan Washer, 8" Concealed Bypass Mixing Valve, Quarter-Turn Eterna Cartridges w/ Spring Checks, 4-Arm Handles, Vacuum Breaker, 68" Reinforced PVC Hose, Spray Valve w/ Extended Nozzle, Wall Hook & 1/2" NPT Female Inlets

**Product Compliance:**

ASME A112.18.1 / CSA B125.1  
NSF 61 - Section 9  
NSF 372 (Low Lead Content)  
ANSI A117.1 (ADA)  
ASSE 1001 (VB)

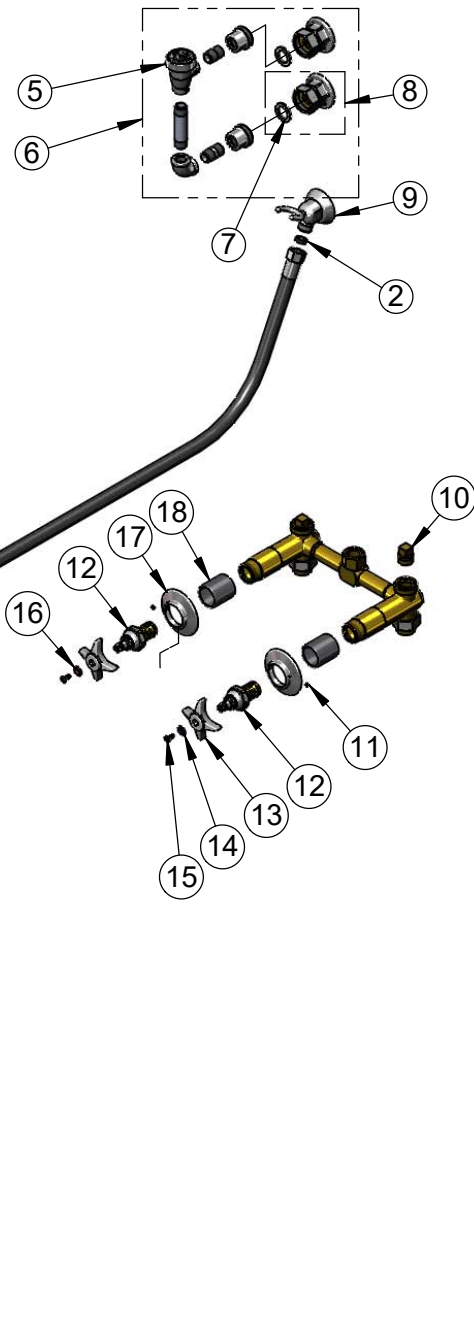


**T&S BRASS AND BRONZE WORKS, INC.**  
 2 Saddleback Cove / P.O. Box 1088  
 Travelers Rest, SC 29690

Model No.  
**B-0680**

Item No.

Travelers Rest, SC: 800-476-4103 • Simi Valley, CA: 800-423-0150 • Fax: 864-834-3518 • www.tsbrass.com



ITEM NO.	SALES NO.	DESCRIPTION
1	002865-40	Extended Spray Wand
2	010476-45	#27 Washer
3	000907-45	Spray Valve Hold Down Ring
4	B-0068-R	68" Reinforced PVC Hose
5	B-0969	1/2" NPT Vacuum Breaker
6	B-0929-A	Atmospheric Vacuum Breaker
7	001019-45	Coupling Nut Washer
8	00AA	1/2" NPT Female Eccentric Flange
9	B-0104	Wall Hook Outlet
10	001347-20	1/2" NPT Square Head Plug
11	000939-45	Set Screw
12	012443-40	Quarter-Turn Eterna Cartridge w/ Spring Check, RTC
13	002521-45	4-Arm Handle
14	001660-45	Blue Index-CW
15	000922-45	Lever Handle Screw
16	001661-45	Red Index-HW
17	001501-40	Escutcheon
18	151F	Escutcheon Tube
68	000933-45	B-1100 Seat Washer Screw
69	001092-45	Seat Washer
70		RTC Spindle (RH Thread)

**Product Specifications:**  
 Bedpan Washer, 8" Concealed Bypass Mixing Valve, Quarter-Turn Eterna Cartridges w/ Spring Checks, 4-Arm Handles, Vacuum Breaker, 68" Reinforced PVC Hose, Spray Valve w/ Extended Nozzle, Wall Hook & 1/2" NPT Female Inlets

**Product Compliance:**  
 ASME A112.18.1 / CSA B125.1  
 NSF 61 - Section 9  
 NSF 372 (Low Lead Content)  
 ANSI A117.1 (ADA)  
 ASSE 1001 (VB)