



T&S BRASS AND BRONZE WORKS, INC.

2 Saddleback Cove / P.O. Box 1088
Travelers Rest, SC 29690

Model No.

B-0680-ST

Item No.

Travelers Rest, SC: 800-476-4103 • Simi Valley, CA: 800-423-0150 • Fax: 864-834-3518 • www.tsbrass.com

This Space for Architect/Engineer Approval

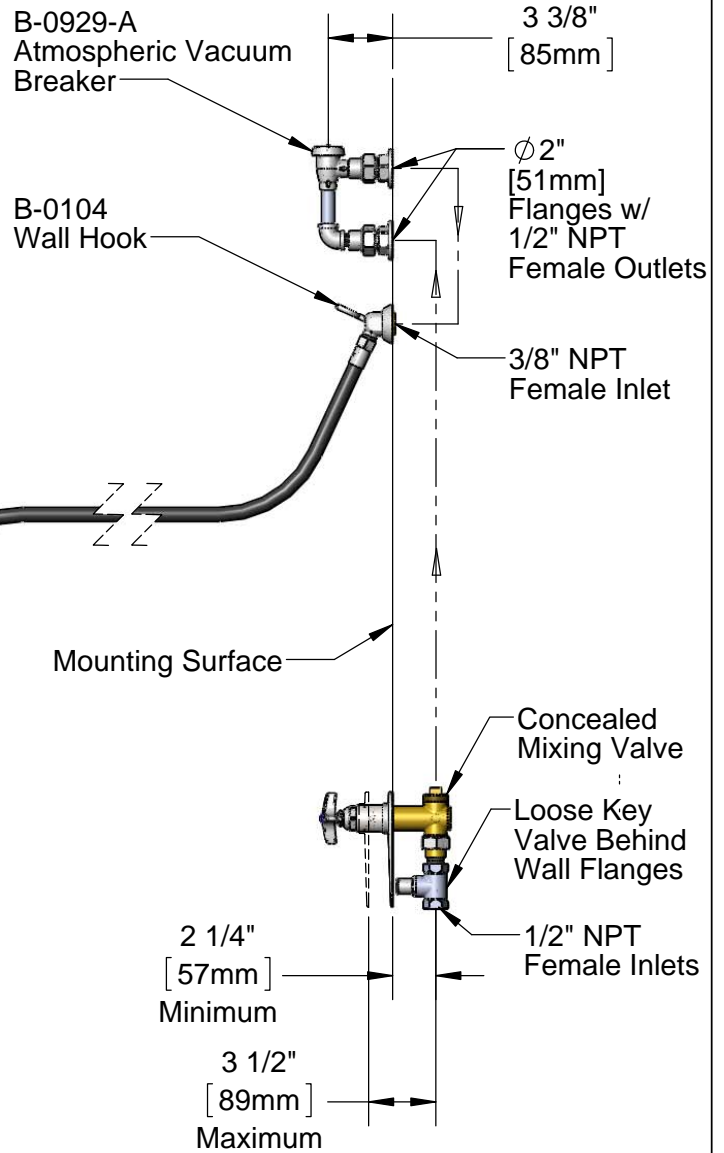
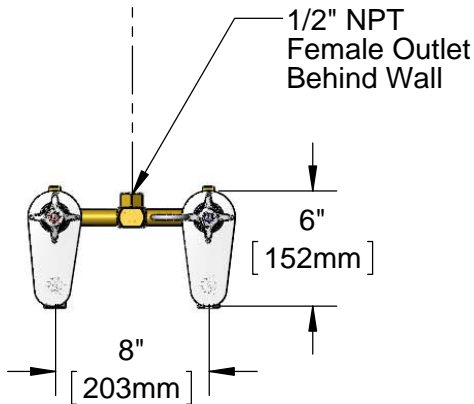
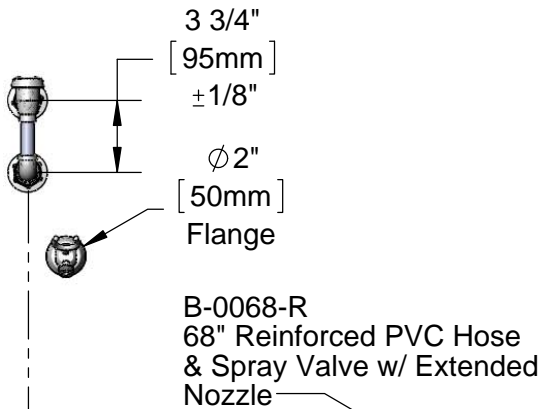
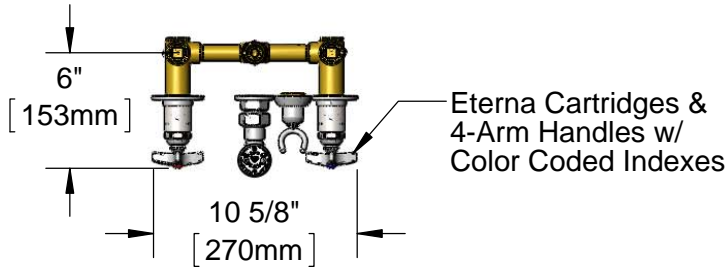
Job Name _____ Date _____

Model Specified _____ Quantity _____

Customer/Wholesaler _____

Contractor _____

Architect/Engineer _____



Rough-In Requirement:
(2) ϕ 1 1/2" [38mm] Mounting Holes for Concealed Mixing Valve

Product Specifications:

Bedpan Washer, 8" Concealed Bypass Mixing Valve, Eterna Cartridges, 4-Arm Handles, Vacuum Breaker, 68" Reinforced PVC Hose, Spray Valve w/ Extended Nozzle, Wall Hook & 1/2" NPT Female Inlets

Product Compliance:

ASME A112.18.1 / CSA B125.1
NSF 61 - Section 9
NSF 372 (Low Lead Content)
ANSI A117.1 (ADA)
ASSE 1001 (VB)

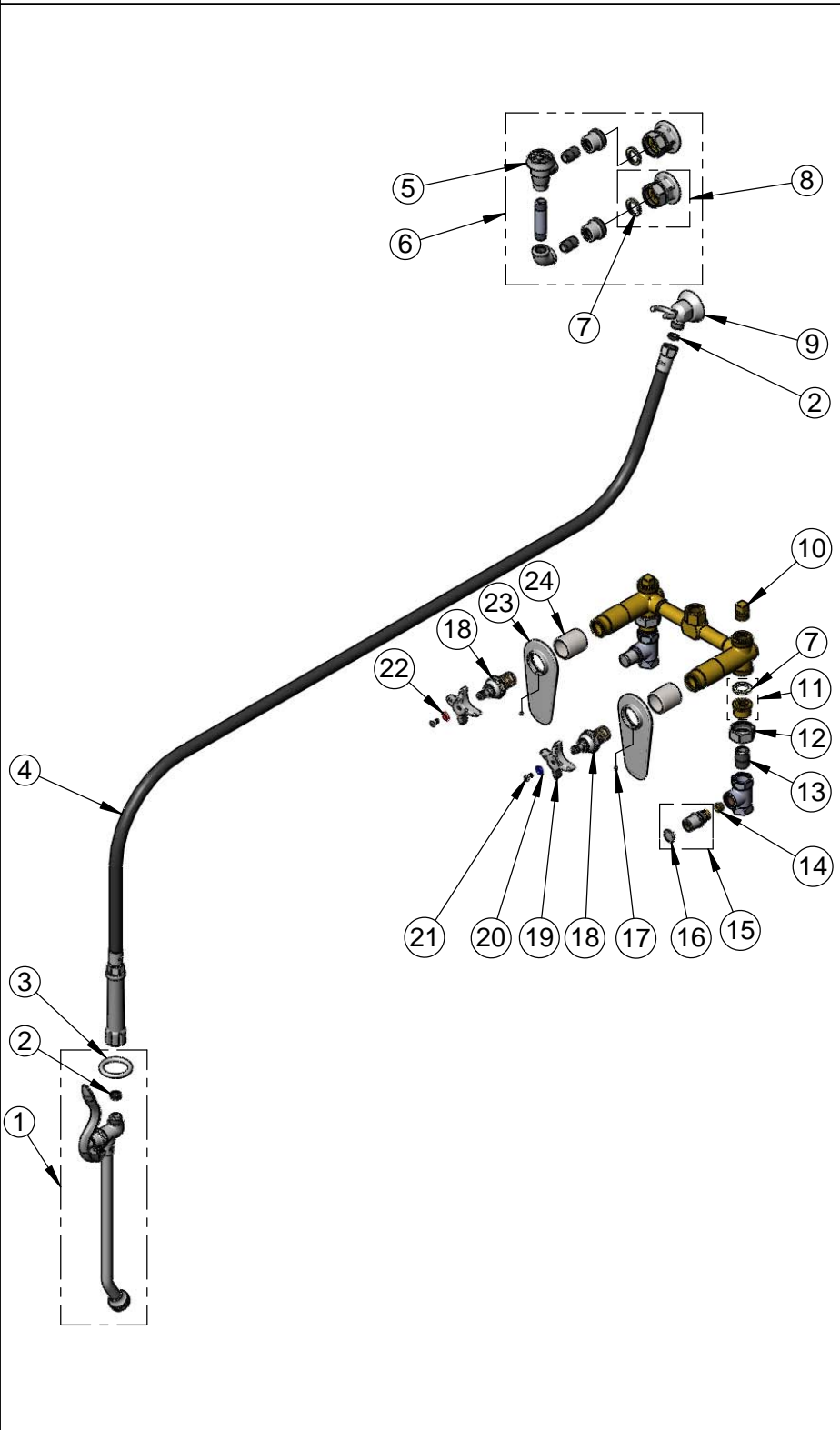


T&S BRASS AND BRONZE WORKS, INC.
 2 Saddleback Cove / P.O. Box 1088
 Travelers Rest, SC 29690

Model No.
B-0680-ST

Item No.

Travelers Rest, SC: 800-476-4103 • Simi Valley, CA: 800-423-0150 • Fax: 864-834-3518 • www.tsbrass.com



ITEM NO.	SALES NO.	DESCRIPTION
1	002865-40	Extended Spray Wand
2	010476-45	#27 Washer
3	000907-45	Spray Valve Hold Down Ring
4	B-0068-R	68" Reinforced PVC Hose
5	B-0969	1/2" NPT Vacuum Breaker
6	B-0929-A	Atmospheric Vacuum Breaker
7	001019-45	Coupling Nut Washer
8	00AA	1/2" NPT Female Eccentric Flange
9	B-0104	Wall Hook Outlet
10	001347-20	1/2" NPT Square Head Plug
11	153F	Union Half, 1/2 NPT w/ Washer
12	000721-25	Flange Coupling Nut
13	002534-25	Close Nipple, 1/2" NPT
14	000763-20	Seat
15	002892-40	Service Stop Spindle w/ Cap
16	001605-45	Cap
17	000939-45	Set Screw
18	005960-40	Eterna Cartridge, RTC
19	002521-45	4-Arm Handle
20	001660-45	Blue Index-CW
21	000922-45	Lever Handle Screw
22	001661-45	Red Index-HW
23	002820-40	Escutcheon, Tear-Drop
24	151F	Escutcheon Tube

Product Specifications:
 Bedpan Washer, 8" Concealed Bypass Mixing Valve, Eterna Cartridges, 4-Arm Handles, Vacuum Breaker, 68" Reinforced PVC Hose, Spray Valve w/ Extended Nozzle, Wall Hook & 1/2" NPT Female Inlets

Product Compliance:
 ASME A112.18.1 / CSA B125.1
 NSF 61 - Section 9
 NSF 372 (Low Lead Content)
 ANSI A117.1 (ADA)
 ASSE 1001 (VB)