



# T&S BRASS AND BRONZE WORKS, INC.

2 Saddleback Cove / P.O. Box 1088  
Travelers Rest, SC 29690

Model No.

**B-0678**

Item No.

Travelers Rest, SC: 800-476-4103 • Simi Valley, CA: 800-423-0150 • Fax: 864-834-3518 • www.tsbrass.com

This Space for Architect/Engineer Approval

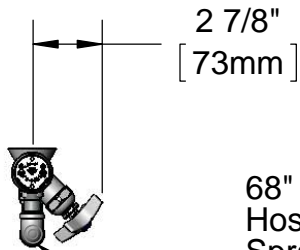
Job Name \_\_\_\_\_ Date \_\_\_\_\_

Model Specified \_\_\_\_\_ Quantity \_\_\_\_\_

Customer/Wholesaler \_\_\_\_\_

Contractor \_\_\_\_\_

Architect/Engineer \_\_\_\_\_



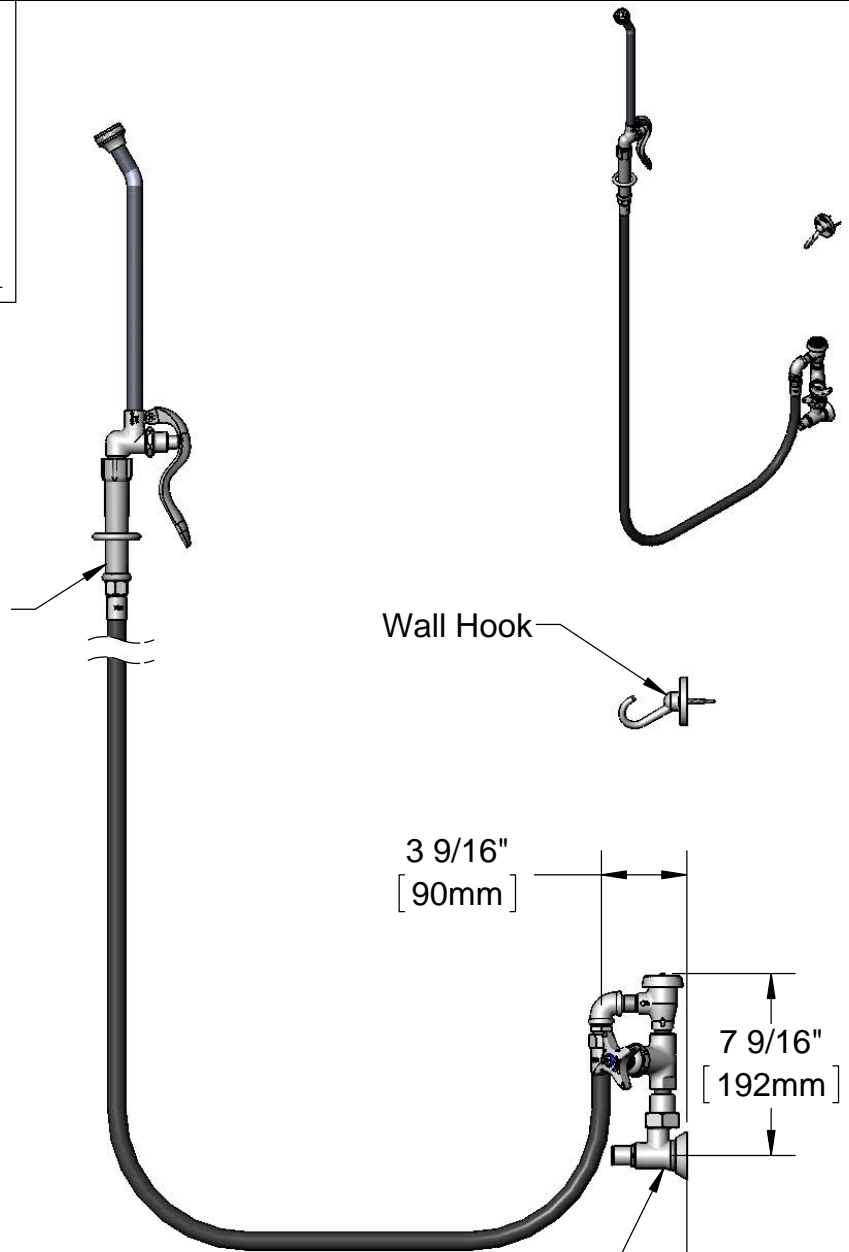
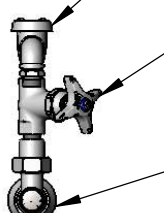
68" Reinforced PVC  
Hose & Extended  
Spray Wand

Items Not Shown  
For Clarity

B-0968  
3/8" NPT  
Vacuum Breaker

Control Valve  
Rotated 45° to  
Avoid Wall.

Ø 2" [51mm]  
Flange w/  
1/2" NPT  
Female Inlet



Wall Hook

3 9/16"  
[90mm]

7 9/16"  
[192mm]

Loose Key Stop

Mounting Surface

**Product Specifications:**

Bed Pan Washer, Loose Key Angle Stop, Vacuum Breaker, 4-Arm Handle & Self-Closing Valve w/ Extended Spray Outlet

**Product Compliance:**

ASME A112.18.1 / CSA B125.1  
NSF 61 Exempt (Non-Potable)  
ASSE 1001 (VB)

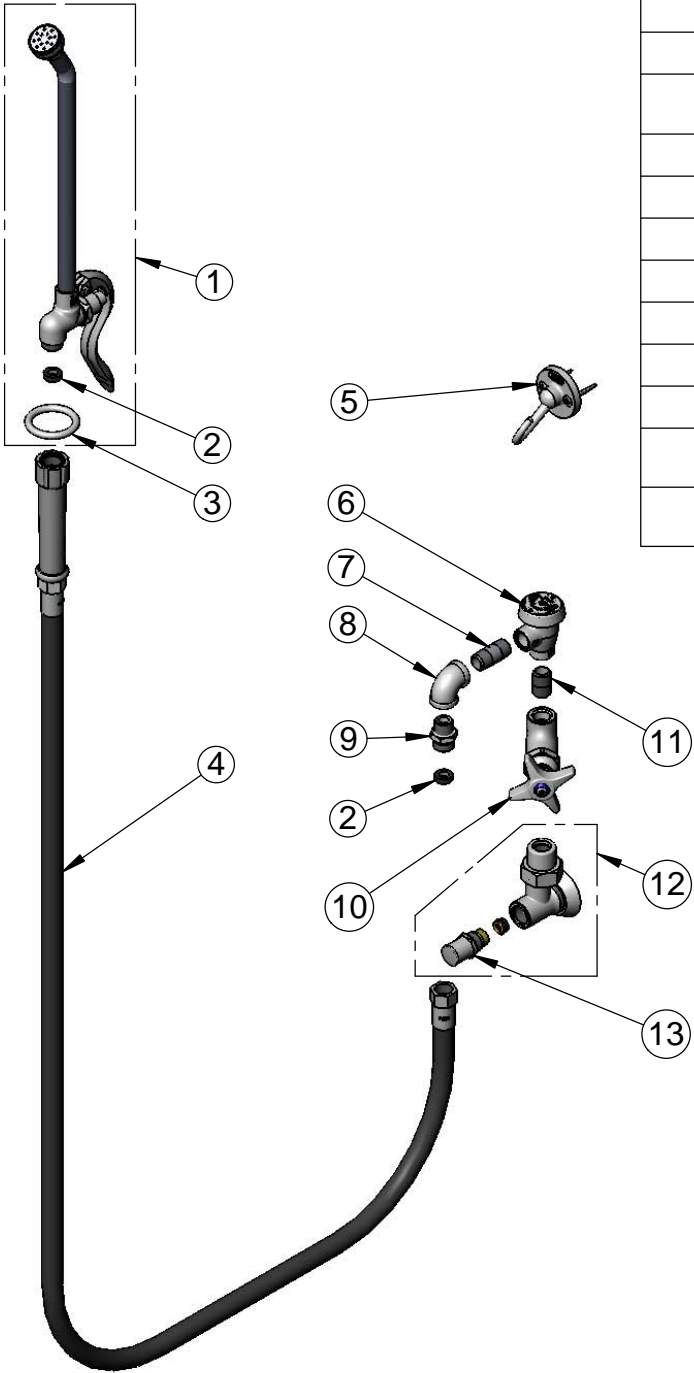


**T&S BRASS AND BRONZE WORKS, INC.**  
 2 Saddleback Cove / P.O. Box 1088  
 Travelers Rest, SC 29690

Model No.  
**B-0678**  
 Item No.

Travelers Rest, SC: 800-476-4103 • Simi Valley, CA: 800-423-0150 • Fax: 864-834-3518 • www.tsbrass.com

ITEM NO.	SALES NO.	DESCRIPTION
1	002865-40	Extended Spray Wand
2	010476-45	#27 Washer
3	000907-45	Spray Valve Hold Down Ring
4	B-0068-R	68" Reinforced PVC Hose w/ Handle
5	B-0104-D	Dummy Wall Hook Bracket
6	B-0968	3/8" NPT Vacuum Breaker
7	002341-40	Nipple, 3/8" NPT x 1 1/2"
8	001355-40	Elbow, 3/8 NPT
9	053A	Adapter, 3/8" NPT Male
10	007010-40	Straight Stop w/ 4-Arm & Blue Index
11	002535-25	3/8" Close Nipple
12	B-1351	Loose Key 1/2" NPT Angle Stop w/ Tee Handle & Screw
13	166A	Service Stop Spindle w/ Cap, Handle & Screw



Product Specifications:  
 Bed Pan Washer, Loose Key Angle Stop, Vacuum Breaker, 4-Arm Handle & Self-Closing Valve w/ Extended Spray Outlet

Drawn: KJG    Checked: JRM    Approved: JHB    Date: 01/27/15

Product Compliance:  
 ASME A112.18.1 / CSA B125.1  
 NSF 61 Exempt (Non-Potable)  
 ASSE 1001 (VB)

Scale: NTS    Sheet: 2 of 2