



# T&S BRASS AND BRONZE WORKS, INC.

2 Saddleback Cove / P.O. Box 1088  
Travelers Rest, SC 29690

Model No.

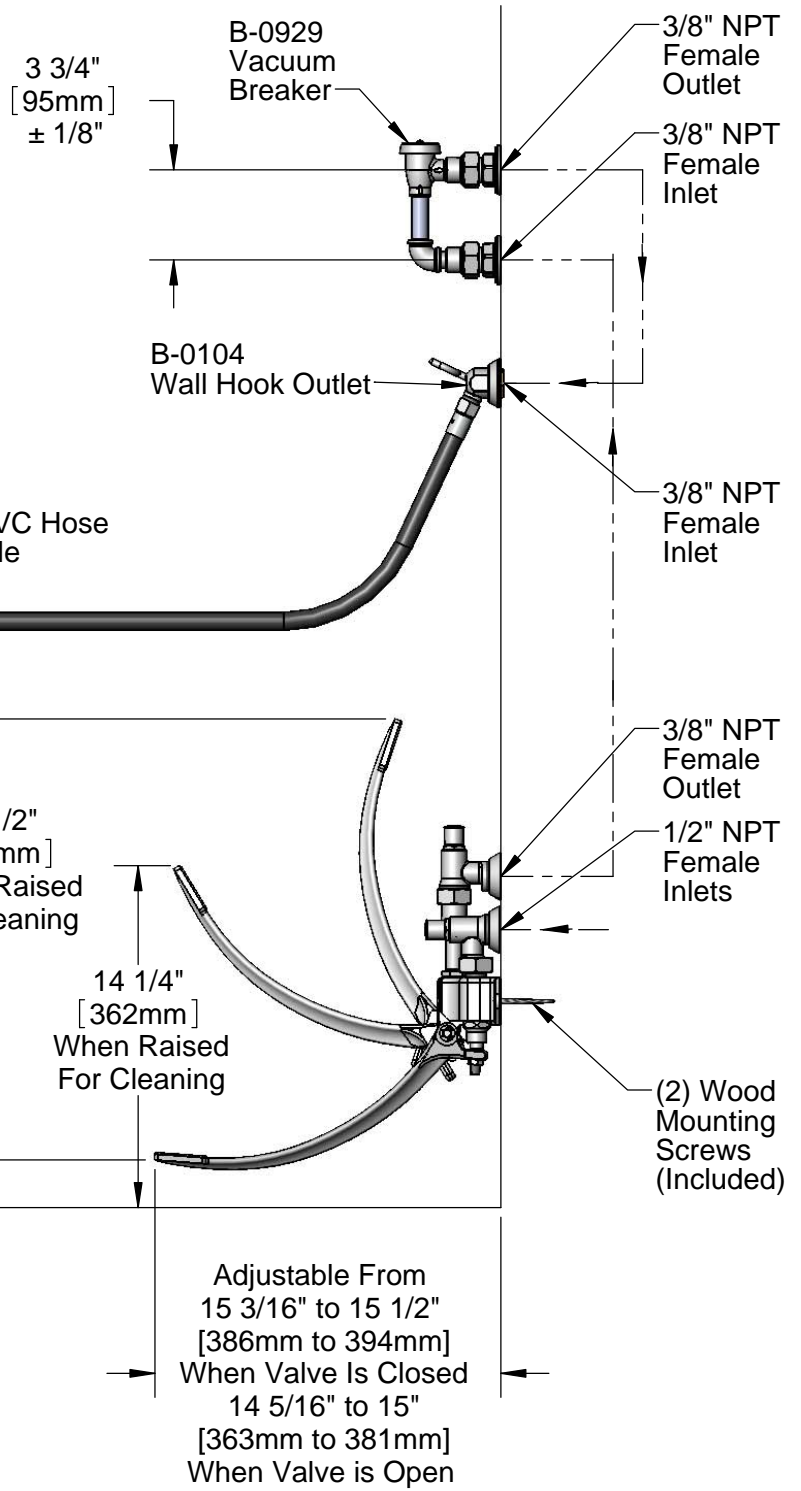
**B-0676-54V**

Item No.

Travelers Rest, SC: 800-476-4103 • Simi Valley, CA: 800-423-0150 • Fax: 864-834-3518 • www.tsbrass.com

This Space for Architect/Engineer Approval

Job Name \_\_\_\_\_ Date \_\_\_\_\_  
 Model Specified \_\_\_\_\_ Quantity \_\_\_\_\_  
 Customer/Wholesaler \_\_\_\_\_  
 Contractor \_\_\_\_\_  
 Architect/Engineer \_\_\_\_\_



Tee Handle & Mounting Screw (Included)

**B-0054-V 54" Reinforced PVC Hose & Extended Nozzle**

**1 1/4" [31mm]**  
**2 7/16" [61mm]**

**3 3/8" [86mm] ± 1/8"**

**20 1/2" [521mm] When Raised For Cleaning**

**14 1/4" [362mm] When Raised For Cleaning**

**8 3/4" [222mm] (See Note)**

**3" [76mm] Ref**

**Adjustable From 4 7/16" to 7" [113mm to 178mm] When Valve Is Closed, 1 3/8" to 3 1/8" [35mm to 79mm] When Valve is Open**

Note: All Pedal Position Dimensions are Based on Minimum Recommended Mounting Height of 8 3/4" [222mm] Above Finished Floors.

**Product Specifications:**

Bedpan Washer, Foot Valve Control, Integral Loose Key Stops, Vacuum Breaker & 54" Reinforced PVC Hose w/ Extended Nozzle

**Product Compliance:**

ASME A112.18.1 / CSA B125.1  
 NSF 61 Exempt (Non-Potable)  
 ASSE 1001 (VB)

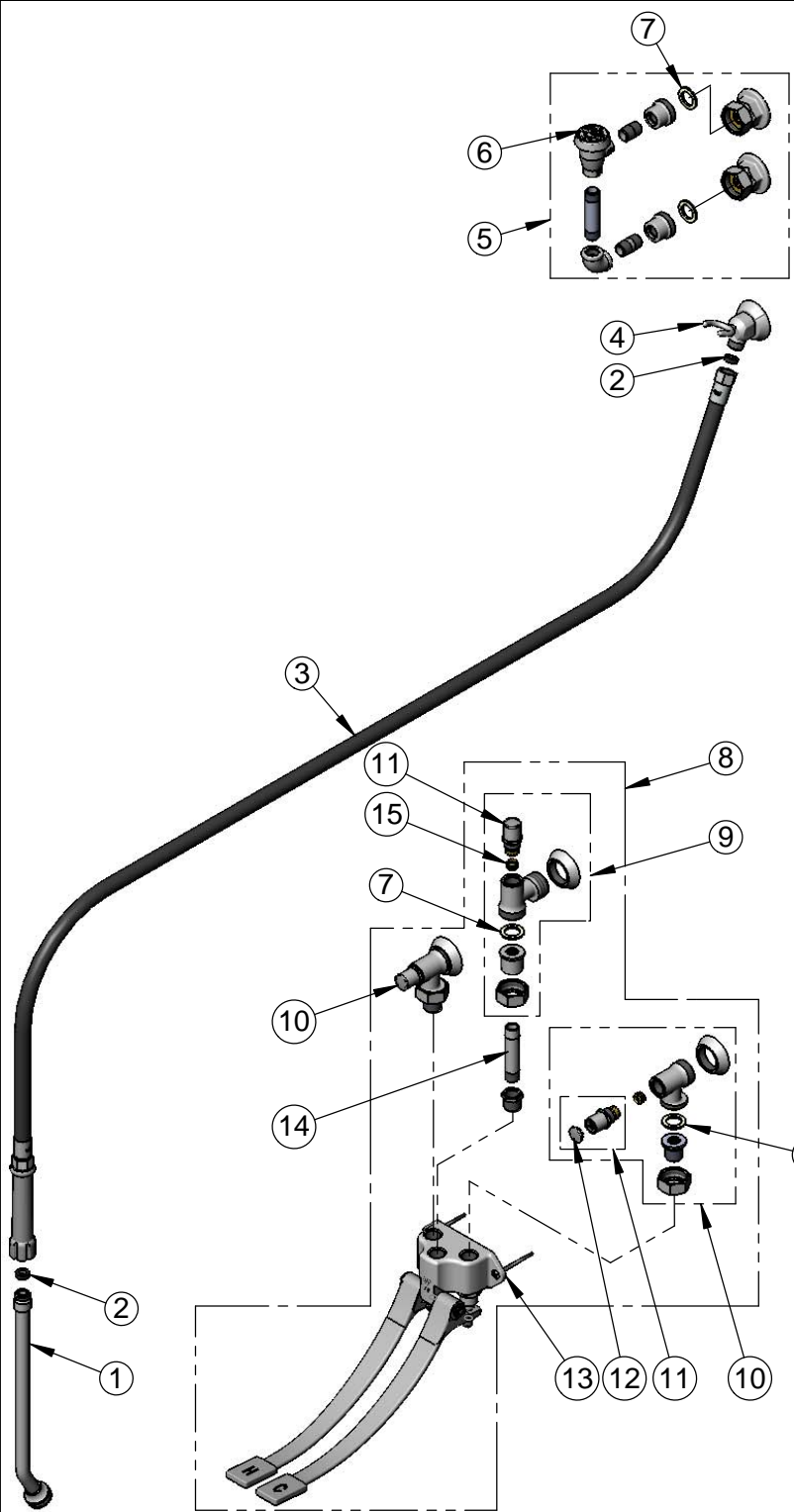


**T&S BRASS AND BRONZE WORKS, INC.**  
 2 Saddleback Cove / P.O. Box 1088  
 Travelers Rest, SC 29690

Model No.  
**B-0676-54V**

Item No.

Travelers Rest, SC: 800-476-4103 • Simi Valley, CA: 800-423-0150 • Fax: 864-834-3518 • www.tsbrass.com



ITEM NO.	SALES NO.	DESCRIPTION
1	002861-40	Bed Pan Spray Nozzle Assembly
2	010476-45	#27 Washer
3	B-0054-V	54" Vinyl Hose Assembly
4	B-0104	Wall Hook w/ 3/4-14UN Outlet
5	B-0929	Atmospheric Vacuum Breaker
6	B-0968	3/8" NPT Vacuum Breaker
7	001019-45	Coupling Nut Washer
8	B-0504-01	Wall Mount Double Pedal Valve Assembly w/ Angle Stops
9	B-1355	Loose Key 3/8" NPT Angle Stop Assembly w/ Tee Handle & Screw
10	B-1350	Loose Key 1/2" NPT Angle Stop Assembly w/ Tee Handle & Screw
11	166A	Service Stop Spindle Assembly w/ Tee Handle & Screw
12	001605-45	Cap
13	B-0504	Wall Mount Double Pedal Valve
14	010092-40	Nipple, 3/8" NPT x 4 1/4"
15	000763-20	Seat



Product Specifications:  
 Bedpan Washer, Foot Valve Control, Integral Loose Key Stops, Vacuum Breaker & 54" Reinforced PVC Hose w/ Extended Nozzle

Product Compliance:  
 ASME A112.18.1 / CSA B125.1  
 NSF 61 Exempt (Non-Potable)  
 ASSE 1001 (VB)