



T&S BRASS AND BRONZE WORKS, INC.

2 Saddleback Cove / P.O. Box 1088
Travelers Rest, SC 29690

Model No.

B-0675

Item No.

Travelers Rest, SC: 800-476-4103 • Simi Valley, CA: 800-423-0150 • Fax: 864-834-3518 • www.tsbrass.com

This Space for Architect/Engineer Approval

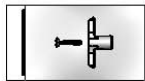
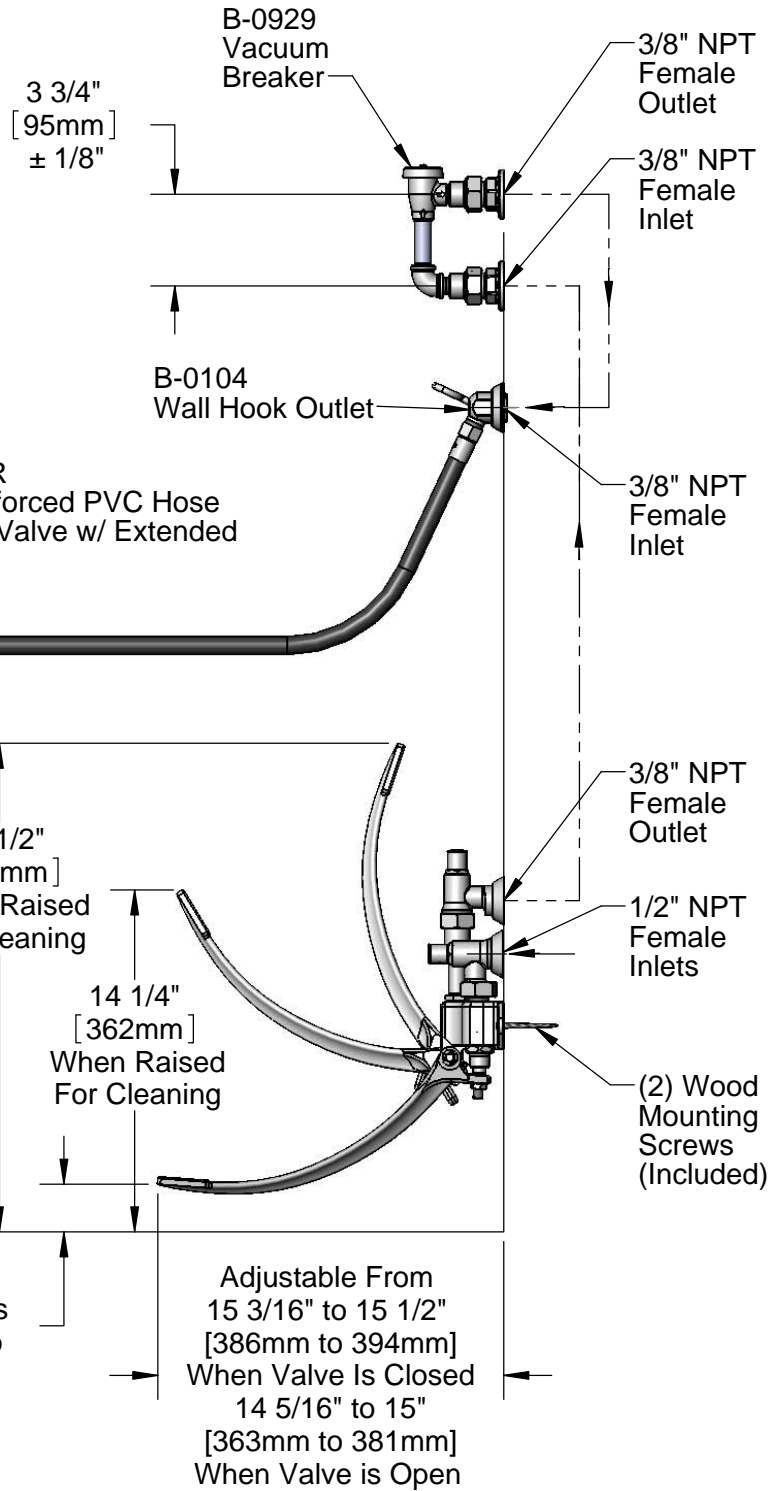
Job Name _____ Date _____

Model Specified _____ Quantity _____

Customer/Wholesaler _____

Contractor _____

Architect/Engineer _____



Tee Handle & Mounting Screw (Included)



Hold Down Ring & Washer (Included)

Note: All Pedal Position Dimensions are Based on Minimum Recommended Mounting Height of 8 3/4" [222mm] Above Finished Floors.

Product Specifications:

Bedpan Washer, Foot Valve Control, Integral Loose Key Stops, Vacuum Breaker & Spray Valve w/ Extended Nozzle

Product Compliance:

ASME A112.18.1 / CSA B125.1
NSF 61 Exempt (Non-Potable)
ASSE 1001 (VB)

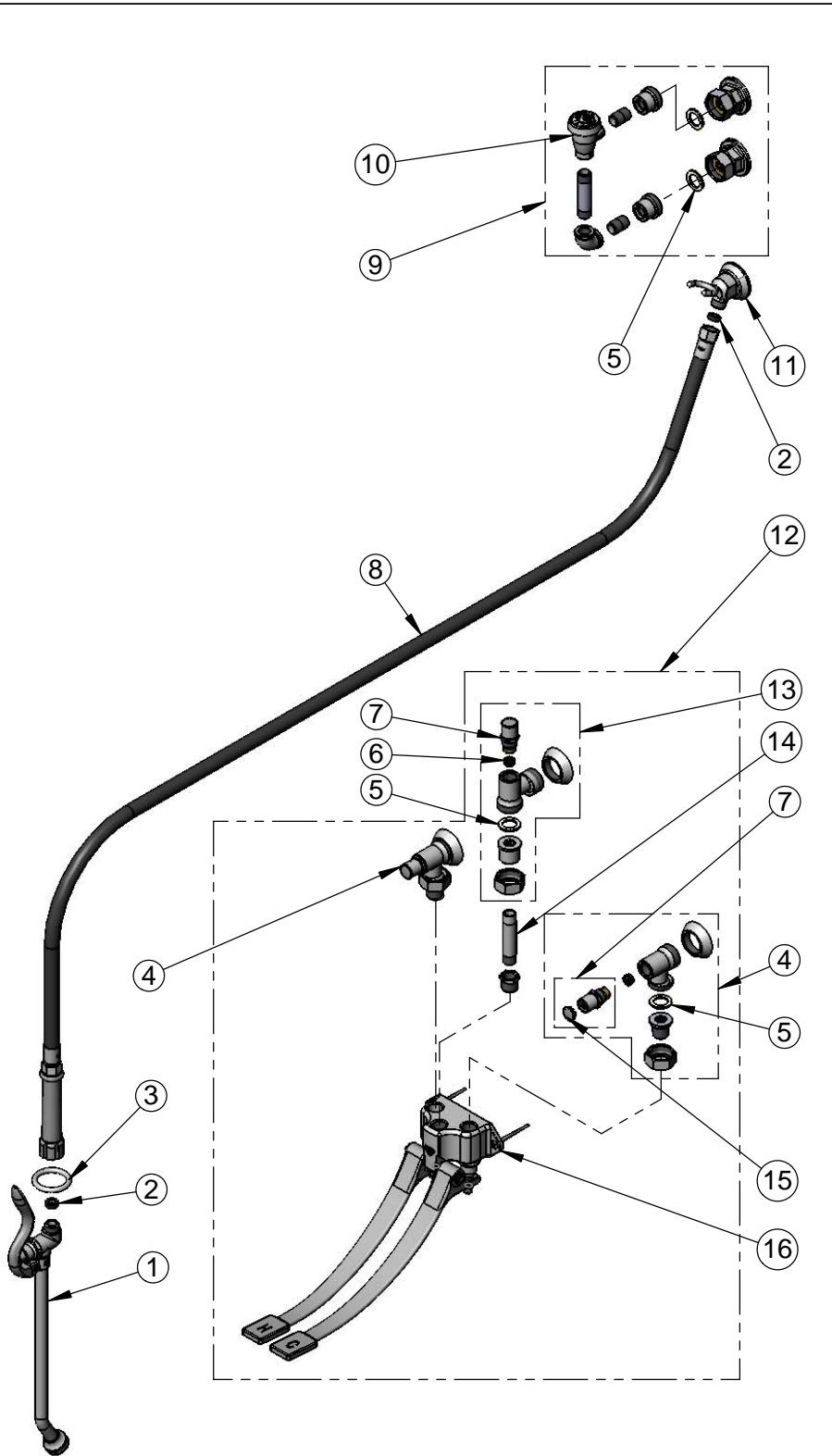


T&S BRASS AND BRONZE WORKS, INC.
 2 Saddleback Cove / P.O. Box 1088
 Travelers Rest, SC 29690

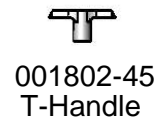
Model No.
B-0675

Item No.

Travelers Rest, SC: 800-476-4103 • Simi Valley, CA: 800-423-0150 • Fax: 864-834-3518 • www.tsbrass.com



ITEM NO.	SALES NO.	DESCRIPTION
1	002865-40	Extended Spray Wand
2	010476-45	#27 Washer
3	000907-45	Spray Valve Hold Down Ring
4	B-1350	Loose Key 1/2" NPT Angle Stop w/ Tee Handle & Screw
5	001019-45	Coupling Nut Washer
6	000763-20	Seat
7	166A	Service Stop Spindle w/ Tee Handle & Screw
8	B-0068-R	68" Reinforced PVC Hose
9	B-0929	Atmospheric Vacuum Breaker
10	B-0968	3/8" NPT Vacuum Breaker
11	B-0104	Wall Hook, 3/4-14 UN Male Outlet
12	B-0504-01	Wall Mount Double Pedal Valve w/ Angle Stops
13	B-1355	Loose Key 3/8" NPT Angle Stop w/ Tee Handle & Screw
14	010092-40	Nipple, 3/8" NPT x 4 1/4" Long
15	001605-45	Cap
16	B-0504	Wall Mount Double Pedal Valve



Product Specifications:
 Bedpan Washer, Foot Valve Control, Integral Loose Key Stops, Vacuum Breaker & Spray Valve w/ Extended Nozzle

Product Compliance:
 ASME A112.18.1 / CSA B125.1
 NSF 61 Exempt (Non-Potable)
 ASSE 1001 (VB)