



T&S BRASS AND BRONZE WORKS, INC.

2 Saddleback Cove / P.O. Box 1088
Travelers Rest, SC 29690

Model No.

B-0674-CR-POL

Item No.

Travelers Rest, SC: 800-476-4103 • Simi Valley, CA: 800-423-0150 • Fax: 864-834-3518 • www.tsbrass.com



ADA Compliant

This Space for Architect/Engineer Approval

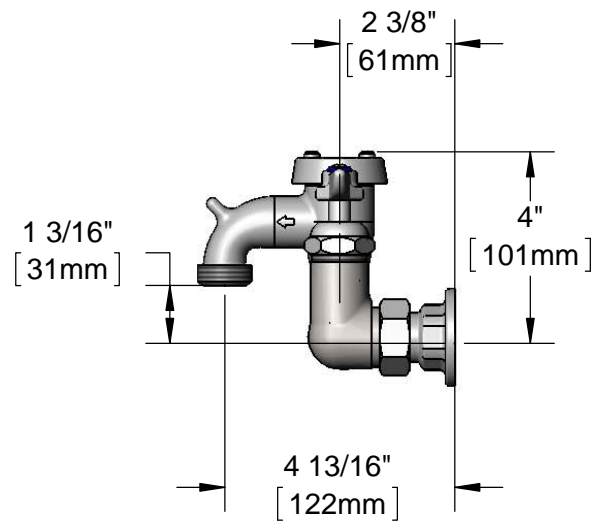
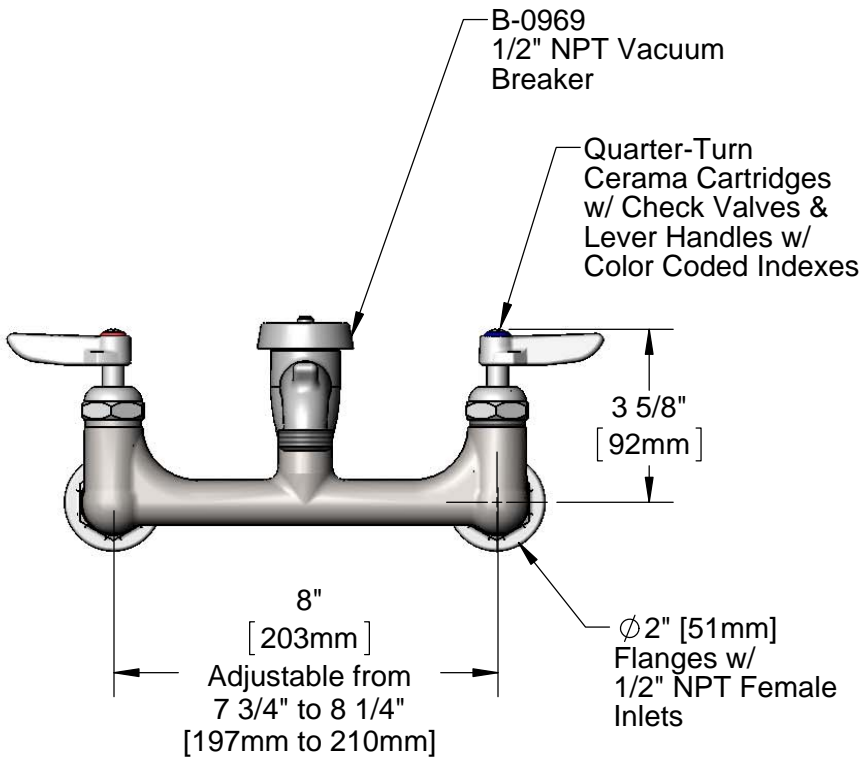
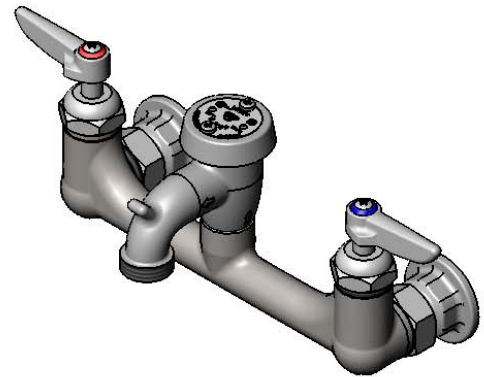
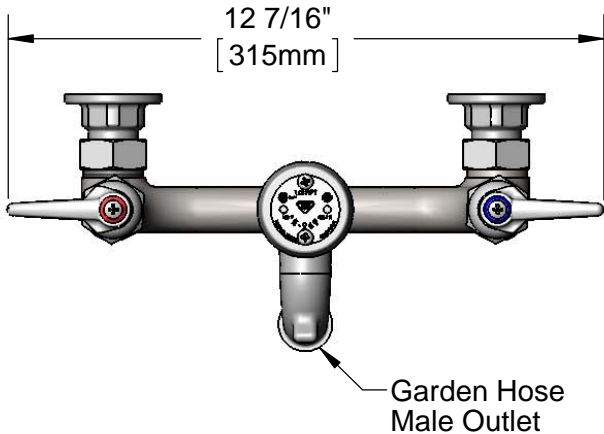
Job Name _____ Date _____

Model Specified _____ Quantity _____

Customer/Wholesaler _____

Contractor _____

Architect/Engineer _____



Product Specifications:

8" Wall Mount Service Sink Faucet w/ Quarter-Turn Cerama Cartridges w/ Check Valves, Lever Handles, Garden Hose Male Outlet, 1/2" NPT Female Inlets & Polished Chrome Finish

Product Compliance:

ASME A112.18.1 / CSA B125.1
NSF 61 - Section 9
NSF 372 (Low Lead Content)
ANSI A117.1 (ADA)
ASSE 1001 (VB)

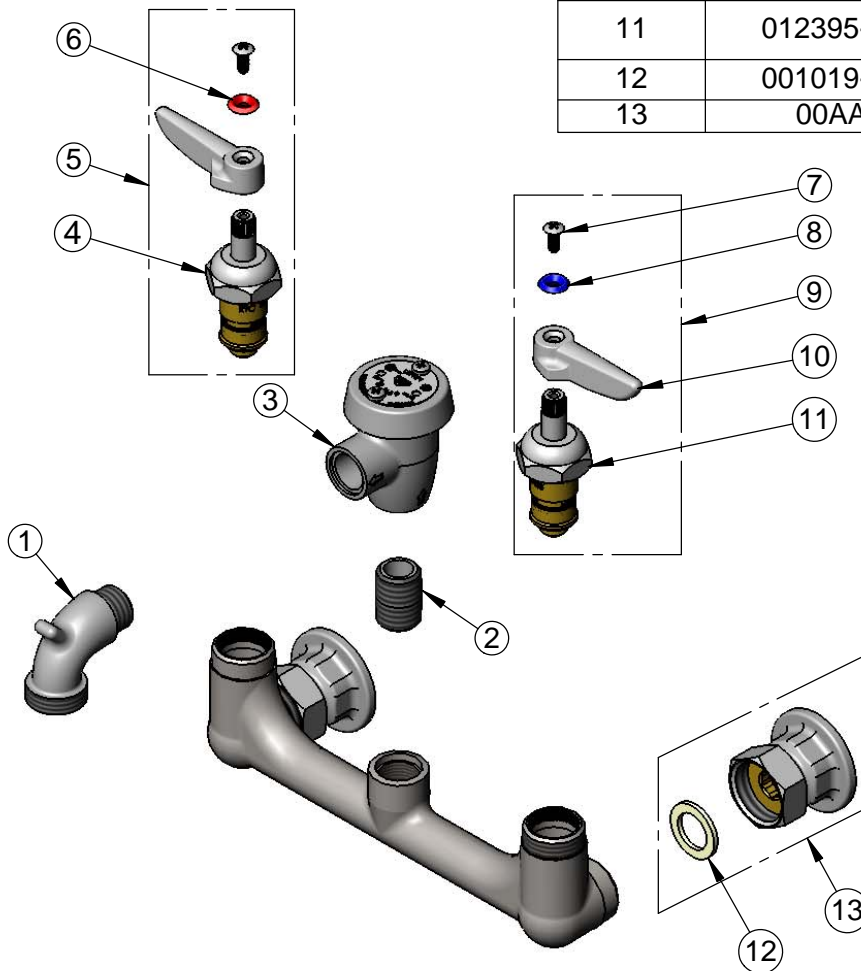


T&S BRASS AND BRONZE WORKS, INC.
 2 Saddleback Cove / P.O. Box 1088
 Travelers Rest, SC 29690

Model No.
B-0674-CR-POL
 Item No.

Travelers Rest, SC: 800-476-4103 • Simi Valley, CA: 800-423-0150 • Fax: 864-834-3518 • www.tsbrass.com

ITEM NO.	SALES NO.	DESCRIPTION
1	000270-40	Spout w/ Pail Hook and Garden Hose Male Outlet
2	002534-25	Close Nipple, 1/2" NPT
3	B-0969	1/2" NPT Vacuum Breaker
4	012394-25	Quarter-Turn Cerama Cartridge, RTC w/ Check Valve
5	012446-25	Quarter-Turn Cerama Cartridge, RTC w/ Check Valve, Handle, Index & Screw
6	001661-45	Red Index-HW
7	000922-45	Lever Handle Screw
8	001660-45	Blue Index-CW
9	012447-25	Quarter-Turn Cerama Cartridge, LTC w/ Check Valve, Handle, Index & Screw
10	001638-45	Lever Handle
11	012395-25	Quarter-Turn Cerama Cartridge, LTC w/ Check Valve
12	001019-45	Coupling Nut Washer
13	00AA	1/2" NPT Female Eccentric Flange



Product Specifications:

8" Wall Mount Service Sink Faucet w/ Quarter-Turn Cerama Cartridges w/ Check Valves, Lever Handles, Garden Hose Male Outlet, 1/2" NPT Female Inlets & Polished Chrome Finish

Product Compliance:

ASME A112.18.1 / CSA B125.1
 NSF 61 - Section 9
 NSF 372 (Low Lead Content)
 ANSI A117.1 (ADA)
 ASSE 1001 (VB)