



T&S BRASS AND BRONZE WORKS, INC.

2 Saddleback Cove / P.O. Box 1088
Travelers Rest, SC 29690

Model No.

B-0674-CR-BSTP

Item No.

Travelers Rest, SC: 800-476-4103 • Simi Valley, CA: 800-423-0150 • Fax: 864-834-3518 • www.tsbrass.com



ADA Compliant

This Space for Architect/Engineer Approval

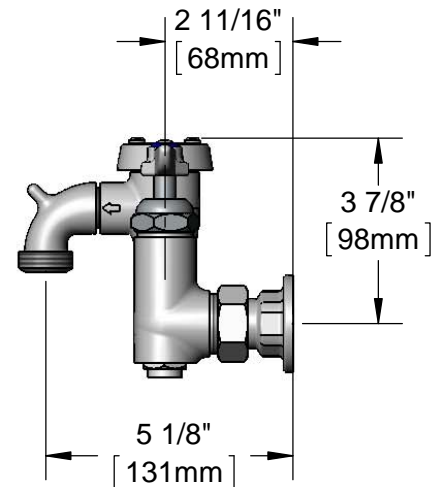
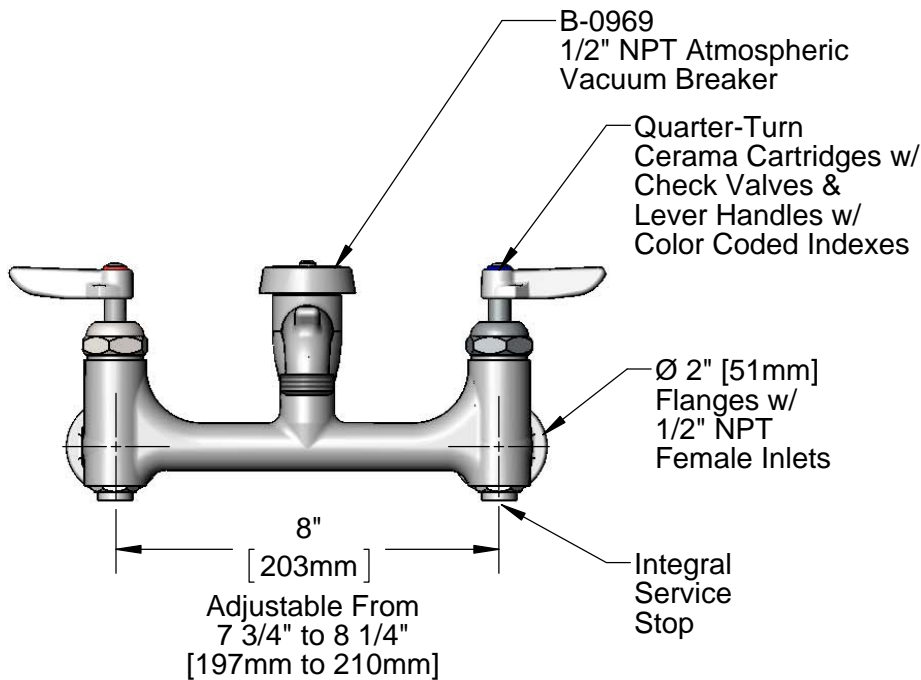
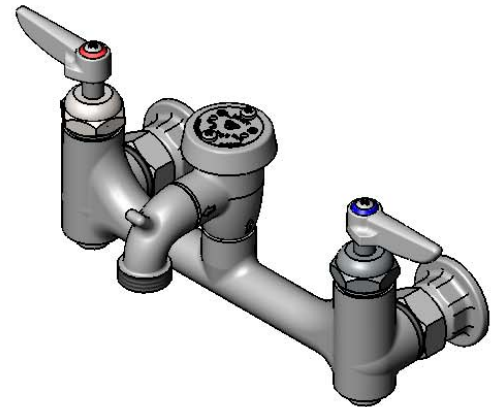
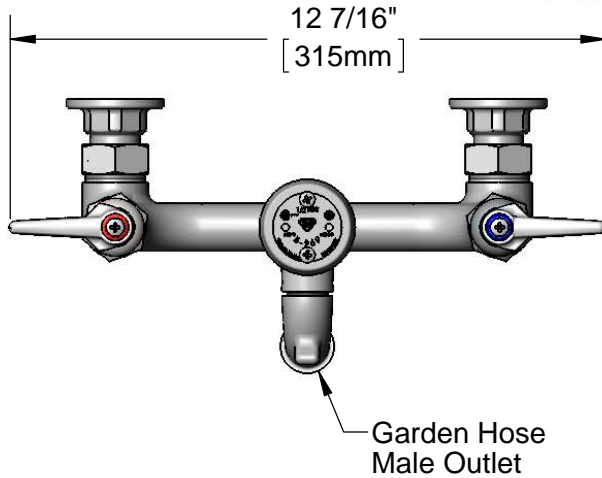
Job Name _____ Date _____

Model Specified _____ Quantity _____

Customer/Wholesaler _____

Contractor _____

Architect/Engineer _____



Product Specifications:

8" Wall Mount Service Sink w/ Inlet Stops, Quarter-Turn Cerama Cartridges w/ Check Valves, Spout w/ Garden Hose Male Outlet, Polished Chrome Finish, Lever Handles, 1/2" NPT Vacuum Breaker & 1/2" NPT Female Inlets

Product Compliance:

ASME A112.18.1 / CSA B125.1
NSF 61 - Section 9
NSF 372 (Low Lead Content)
ANSI A117.1 (ADA)
ASSE 1001 (VB)



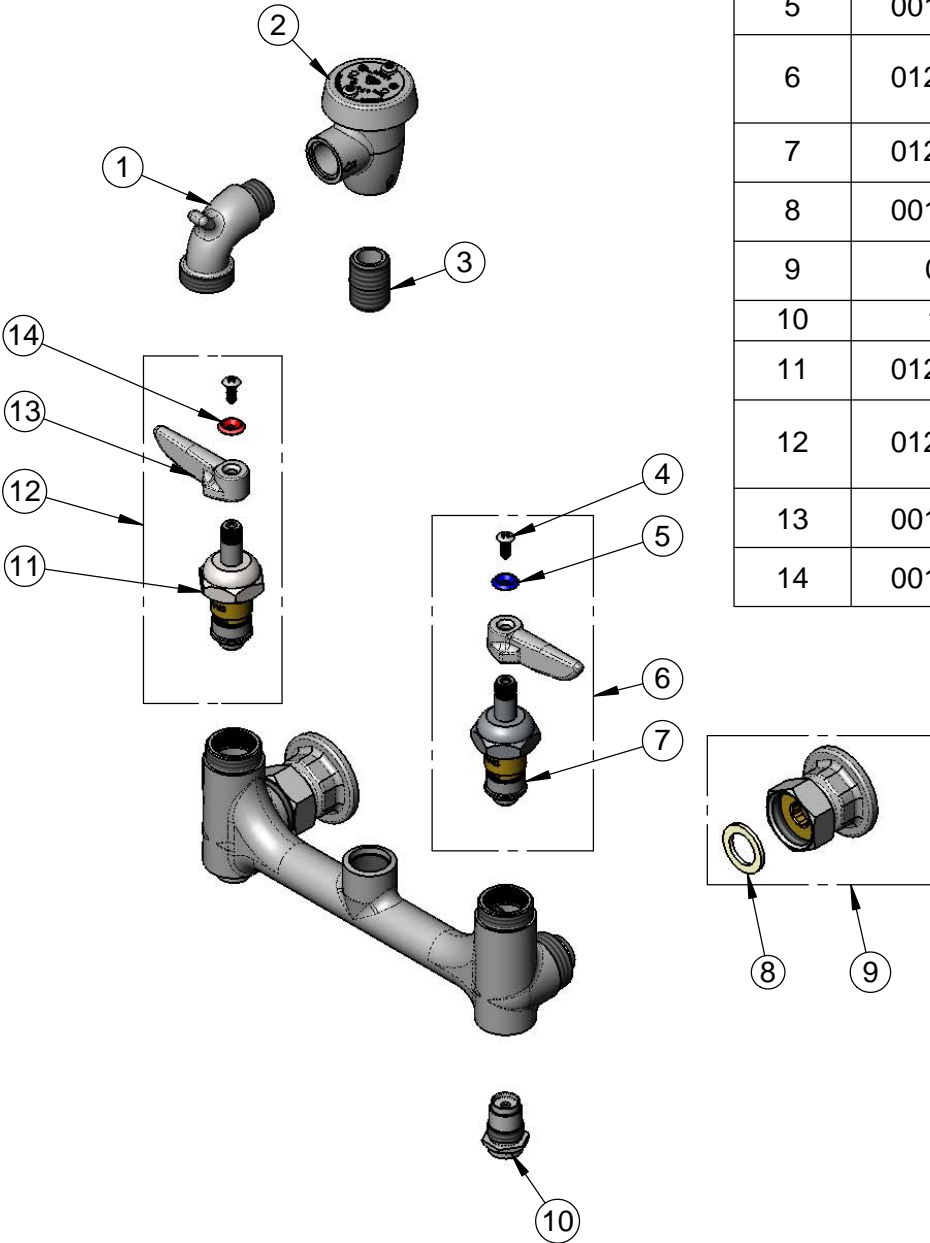
T&S BRASS AND BRONZE WORKS, INC.
 2 Saddleback Cove / P.O. Box 1088
 Travelers Rest, SC 29690

Model No.
B-0674-CR-BSTP

Item No.

Travelers Rest, SC: 800-476-4103 • Simi Valley, CA: 800-423-0150 • Fax: 864-834-3518 • www.tsbrass.com

ITEM NO.	SALES NO.	DESCRIPTION
1	000270-40	Polished Chrome Spout w/ Garden Hose Outlet
2	B-0969	1/2" NPT Vacuum Breaker
3	002534-25	Close Nipple, 1/2" NPT
4	000922-45	Lever Handle Screw
5	001660-45	Blue Index-CW
6	012447-25	Quarter-Turn Cerama Cartridge, LTC w/ Check Valve, Handle, Index & Screw
7	012394-25	Quarter-Turn Cerama Cartridge, LTC w/ Check Valve
8	001019-45	Coupling Nut Washer
9	00AA	1/2" NPT Female Eccentric Flange
10	163A	Built-in Service Stop
11	012395-25	Quarter-Turn Cerama Cartridge, RTC w/ Check Valve
12	012446-25	Quarter-Turn Cerama Cartridge, RTC w/ Check Valve, Handle, Index & Screw
13	001638-45	Lever Handle
14	001661-45	Red Index-HW



Product Specifications:
 8" Wall Mount Service Sink w/ Inlet Stops, Quarter-Turn Cerama Cartridges w/ Check Valves, Spout w/ Garden Hose Male Outlet, Polished Chrome Finish, Lever Handles, 1/2" NPT Vacuum Breaker & 1/2" NPT Female Inlets

Product Compliance:
 ASME A112.18.1 / CSA B125.1
 NSF 61 - Section 9
 NSF 372 (Low Lead Content)
 ANSI A117.1 (ADA)
 ASSE 1001 (VB)