



T&S BRASS AND BRONZE WORKS, INC.

2 Saddleback Cove / P.O. Box 1088
Travelers Rest, SC 29690

Model No.

B-0669-CR-RGH

Item No.

Travelers Rest, SC: 800-476-4103 • Simi Valley, CA: 800-423-0150 • Fax: 864-834-3518 • www.tsbrass.com



ADA Compliant

This Space for Architect/Engineer Approval

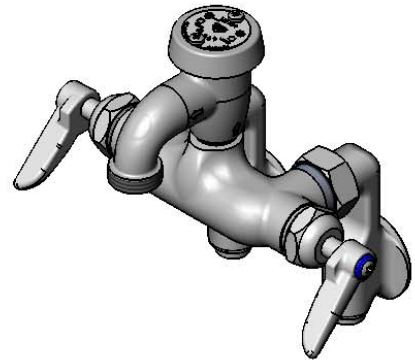
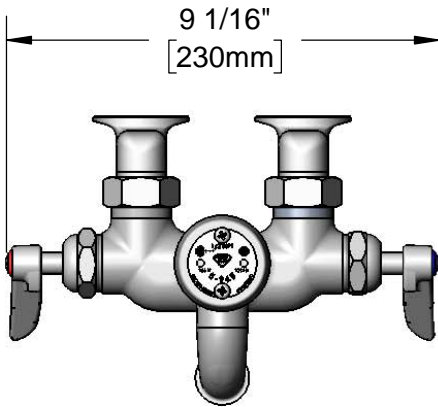
Job Name _____ Date _____

Model Specified _____ Quantity _____

Customer/Wholesaler _____

Contractor _____

Architect/Engineer _____



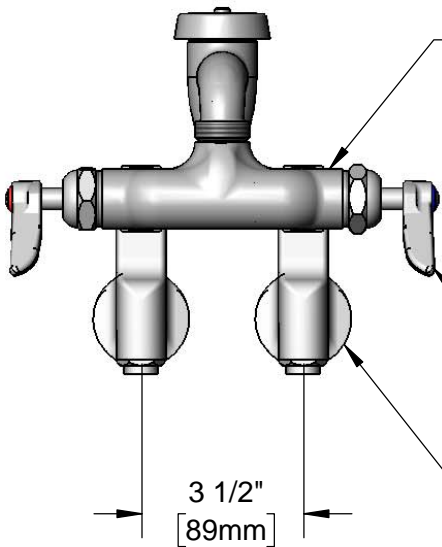
B-0969
1/2" NPT Atmospheric
Vacuum Breaker

3/4" Garden
Hose Male
Outlet

Rough Chrome
Finish on Faucet
Body & Spout

Quarter-Turn
Cerama Cartridges w/
Check Valves &
Lever Handles w/
Color Coded Indexes

Integral
Service Stop



Inlets Adjustable from
2 1/4" to 8 1/4" [57mm to 210mm]
Below or Above Centerline.

1 3/16"
[30mm]

2 3/8"
[61mm]

3 1/16"
[78mm]

4"
[101mm]

2 1/2"
[64mm]
Maximum

Ø 2" [51mm]
Flanges w/
1/2" NPT
Female Inlets

Mounting Surface

Product Specifications:

Wall Mount Rough Chrome Service Sink, Quarter-Turn Cerama Cartridges w/ Check Valves, Short Spout w/ 3/4" Garden Hose Outlet, Lever Handles & 1/2" Female Inlet Adjustable Wall Flanges w/ Integral Service Stops

Product Compliance:

ASME A112.18.1 / CSA B125.1
NSF 61 Exempt (Non-Potable)
NSF 372 (Low Lead Content)
ANSI A117.1 (ADA)
ASSE 1001 (VB)



T&S BRASS AND BRONZE WORKS, INC.

2 Saddleback Cove / P.O. Box 1088
Travelers Rest, SC 29690

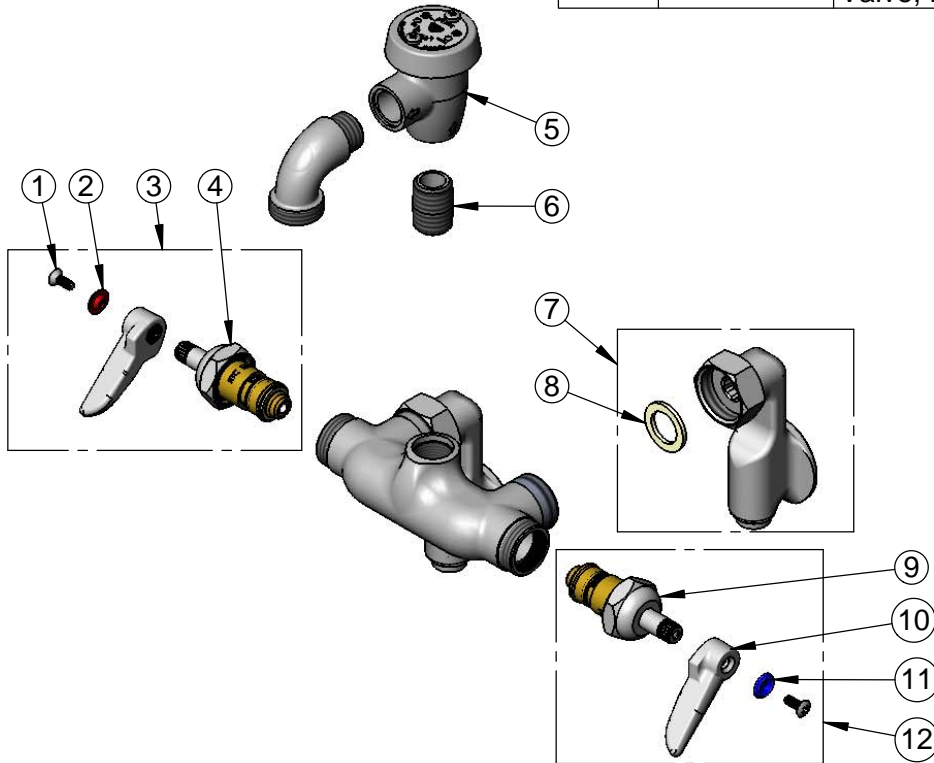
Model No.

B-0669-CR-RGH

Item No.

Travelers Rest, SC: 800-476-4103 • Simi Valley, CA: 800-423-0150 • Fax: 864-834-3518 • www.tsbrass.com

ITEM NO.	SALES NO.	DESCRIPTION
1	000922-45	Lever Handle Screw
2	001661-45	Red Index-HW
3	012446-25	Cerama Cartridge, RTC w/ Check Valve, Handle, Index & Screw
4	012394-25	Cerama Cartridge, RTC w/ Check Valve
5	B-0969	1/2" NPT Vacuum Breaker
6	002534-25	Close Nipple, 1/2" NPT
7	00XX-RGH	Adjustable Wall Flange w/ Inlet Stops, Rough Chrome
8	001019-45	Coupling Nut Washer
9	012395-25	Cerama Cartridge, LTC w/ Check Valve
10	001638-45	Lever Handle
11	001660-45	Blue Index-CW
12	012447-25	Cerama Cartridge, LTC w/ Check Valve, Handle, Index & Screw



Product Specifications:

Wall Mount Rough Chrome Service Sink, Quarter-Turn Cerama Cartridges w/ Check Valves, Short Spout w/ 3/4" Garden Hose Outlet, Lever Handles & 1/2" Female Inlet Adjustable Wall Flanges w/ Integral Service Stops

Product Compliance:

ASME A112.18.1 / CSA B125.1
NSF 61 Exempt (Non-Potable)
NSF 372 (Low Lead Content)
ANSI A117.1 (ADA)
ASSE 1001 (VB)