



T&S BRASS AND BRONZE WORKS, INC.

2 Saddleback Cove / P.O. Box 1088
Travelers Rest, SC 29690

Model No.

B-0665-POL

Item No.

Travelers Rest, SC: 800-476-4103 • Simi Valley, CA: 800-423-0150 • Fax: 864-834-3518 • www.tsbrass.com



ADA Compliant

This Space for Architect/Engineer Approval

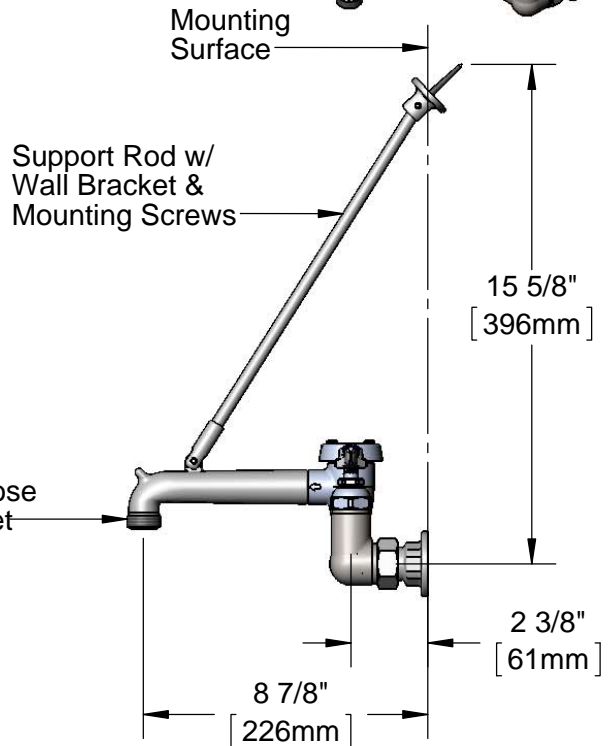
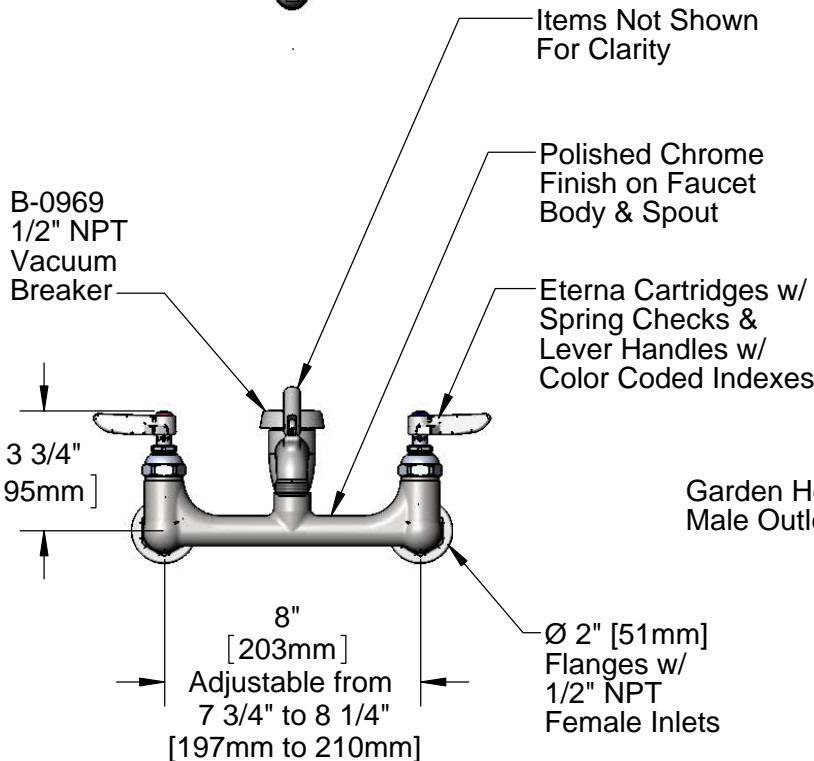
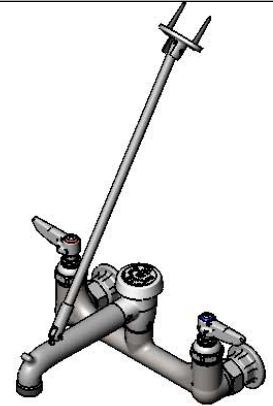
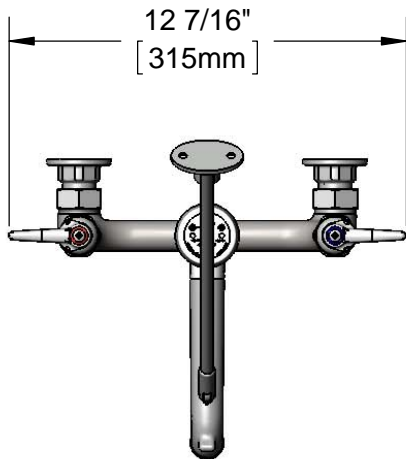
Job Name _____ Date _____

Model Specified _____ Quantity _____

Customer/Wholesaler _____

Contractor _____

Architect/Engineer _____



Product Specifications:

8" Wall Mount Service Sink, Eterna Cartridges w/ Spring Checks, Lever Handles, Upper Support Rod, Garden Hose Male Outlet, Polished Chrome Finish, 1/2" NPT Vacuum Breaker & 1/2" NPT Female Inlets

Product Compliance:

ASME A112.18.1 / CSA B125.1
NSF 61 - Section 9
NSF 372 (Low Lead Content)
ANSI A117.1 (ADA)
ASSE 1001 (VB)



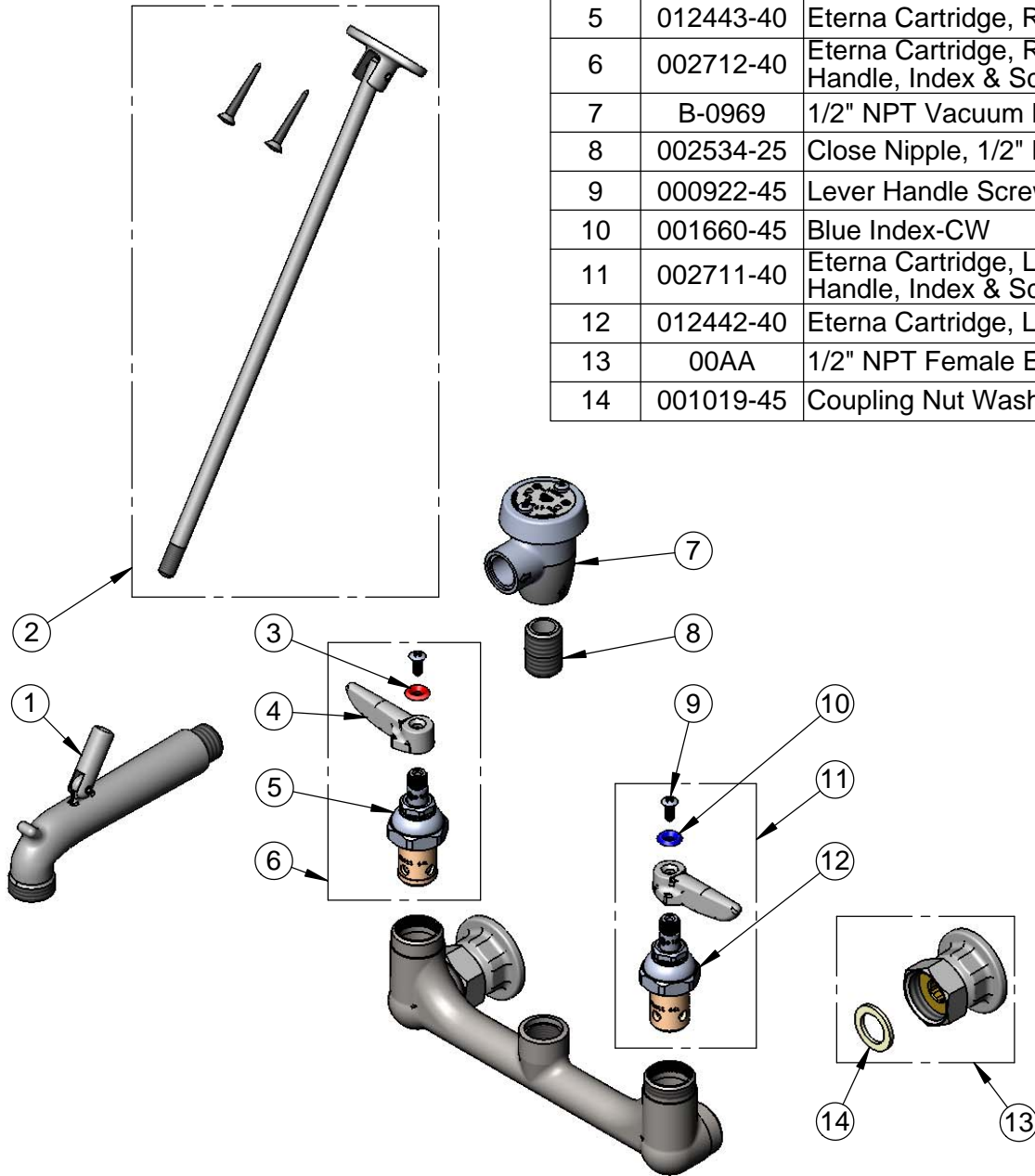
T&S BRASS AND BRONZE WORKS, INC.
 2 Saddleback Cove / P.O. Box 1088
 Travelers Rest, SC 29690

Model No.
B-0665-POL

Item No.

Travelers Rest, SC: 800-476-4103 • Simi Valley, CA: 800-423-0150 • Fax: 864-834-3518 • www.tsbrass.com

ITEM NO.	SALES NO.	DESCRIPTION
1	009545-40	Spout w/ Male GH Outlet & Upper Clevis - Polished Chrome
2	009546-40	Upper Support Rod
3	001661-45	Red Index-HW
4	001638-45	Lever Handle
5	012443-40	Eterna Cartridge, RTC w/ Spring Check
6	002712-40	Eterna Cartridge, RTC w/ Spring Check, Handle, Index & Screw
7	B-0969	1/2" NPT Vacuum Breaker
8	002534-25	Close Nipple, 1/2" NPT
9	000922-45	Lever Handle Screw
10	001660-45	Blue Index-CW
11	002711-40	Eterna Cartridge, LTC w/ Spring Check, Handle, Index & Screw
12	012442-40	Eterna Cartridge, LTC w/ Spring Check
13	00AA	1/2" NPT Female Eccentric Flange
14	001019-45	Coupling Nut Washer



Product Specifications:

8" Wall Mount Service Sink, Eterna Cartridges w/ Spring Checks, Lever Handles, Upper Support Rod, Garden Hose Male Outlet, Polished Chrome Finish, 1/2" NPT Vacuum Breaker & 1/2" NPT Female Inlets

Product Compliance:

ASME A112.18.1 / CSA B125.1
 NSF 61 - Section 9
 NSF 372 (Low Lead Content)
 ANSI A117.1 (ADA)
 ASSE 1001 (VB)