



T&S BRASS AND BRONZE WORKS, INC.

2 Saddleback Cove / P.O. Box 1088
Travelers Rest, SC 29690

Model No.
B-0665-CRBSTRVR

Item No.

Travelers Rest, SC: 800-476-4103 • Simi Valley, CA: 800-423-0150 • Fax: 864-834-3518 • www.tsbrass.com



ADA Compliant

This Space for Architect/Engineer Approval

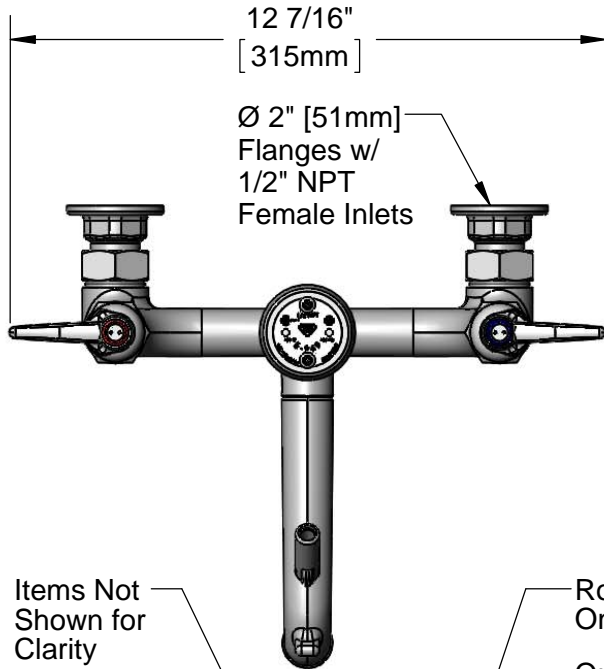
Job Name _____ Date _____

Model Specified _____ Quantity _____

Customer/Wholesaler _____

Contractor _____

Architect/Engineer _____



Support Rod w/ Wall Bracket & Mounting Screws (Included)

Items Not Shown for Clarity

B-0969 1/2" NPT Vacuum Breaker

Rough Chrome Finish On Faucet Body & Spout

Quarter-Turn Cerama Cartridges w/ Check Valves & Lever Handles w/ Color Coded Indexes & Vandal Resistant Screws

Mounting Surface

14 5/16" [364mm]

3 3/4" [95mm]

Garden Hose Male Outlet

8" [203mm]

Adjustable From 7 3/4" to 8 1/4" [197mm to 210mm]

Built-In Service Stops

1 1/8" [28mm]

2 5/8" [67mm]

9 1/8" [231mm]

Product Specifications:

8" Wall Mount Service Sink Faucet, Quarter-Turn Cerama Cartridges w/ Check Valves, Lever Handles w/ Vandal Resistant Screws, Upper Support Rod, Built-In Service Stops, Garden Hose Male Outlet, Rough Chrome Finish, 1/2" NPT Vacuum Breaker & 1/2" NPT Female Inlets

Product Compliance:

ASME A112.18.1 / CSA B125.1
NSF 61 Exempt (Non-Potable)
ASSE 1001 (VB)



T&S BRASS AND BRONZE WORKS, INC.

2 Saddleback Cove / P.O. Box 1088
Travelers Rest, SC 29690

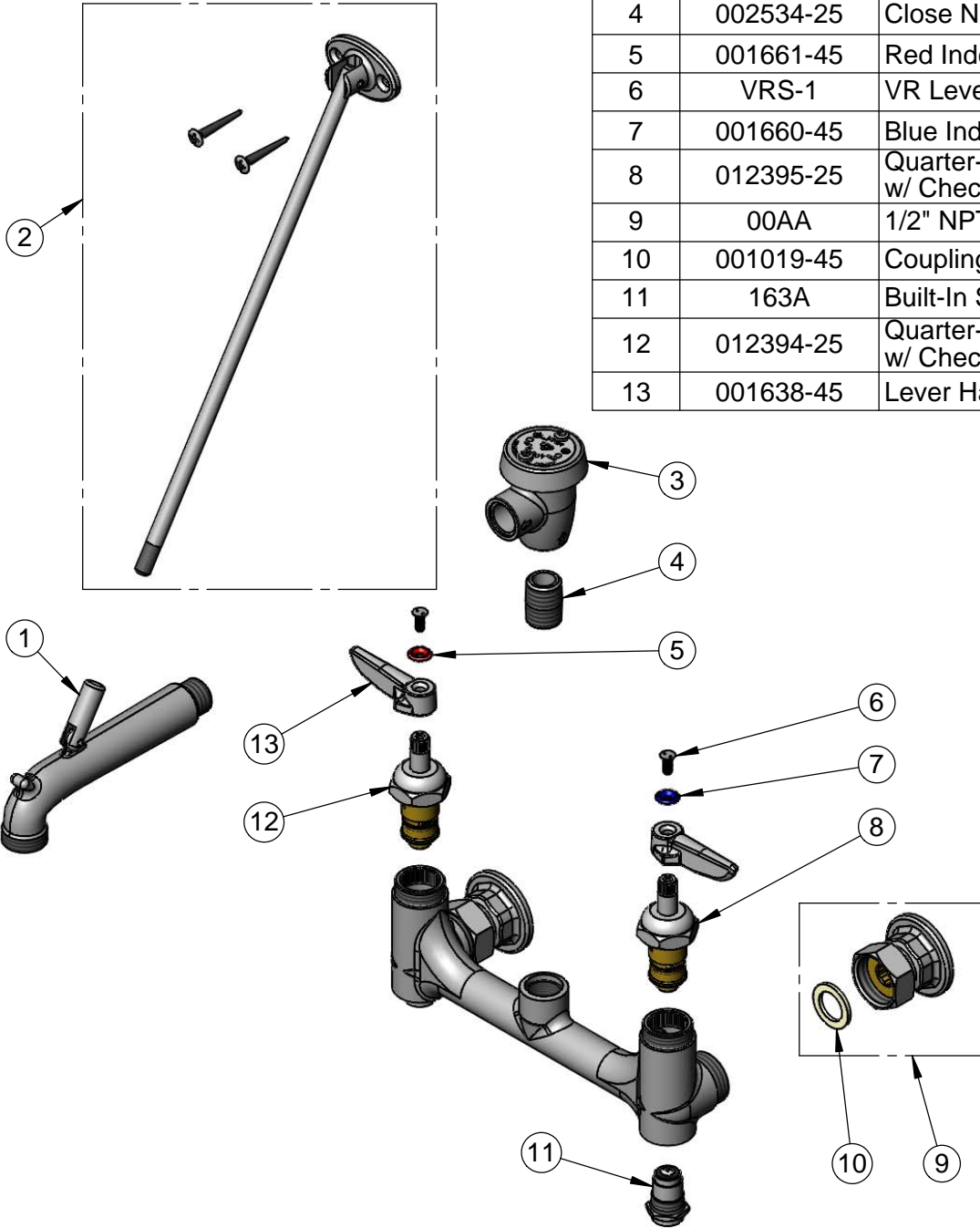
Model No.

B-0665-CRBSTRVR

Item No.

Travelers Rest, SC: 800-476-4103 • Simi Valley, CA: 800-423-0150 • Fax: 864-834-3518 • www.tsbrass.com

ITEM NO.	SALES NO.	DESCRIPTION
1	009545-40	Spout w/ Male Garden Hose Outlet & Upper Clevis - Polished Chrome
2	009546-40	Upper Support Rod
3	B-0969	1/2" NPT Vacuum Breaker
4	002534-25	Close Nipple, 1/2" NPT
5	001661-45	Red Index-HW
6	VRS-1	VR Lever Handle Screw w/ Spanner Bit
7	001660-45	Blue Index-CW
8	012395-25	Quarter-Turn Cerama Cartridge, LTC w/ Check Valve
9	00AA	1/2" NPT Female Eccentric Flange
10	001019-45	Coupling Nut Washer
11	163A	Built-In Service Stop
12	012394-25	Quarter-Turn Cerama Cartridge, RTC w/ Check Valve
13	001638-45	Lever Handle



014075-45
Vandal Resistant
#10 Spanner Bit

Product Specifications:

8" Wall Mount Service Sink Faucet, Quarter-Turn Cerama Cartridges w/ Check Valves, Lever Handles w/ Vandal Resistant Screws, Upper Support Rod, Built-In Service Stops, Garden Hose Male Outlet, Rough Chrome Finish, 1/2" NPT Vacuum Breaker & 1/2" NPT Female Inlets

Product Compliance:

ASME A112.18.1 / CSA B125.1
NSF 61 Exempt (Non-Potable)
ASSE 1001 (VB)