



T&S BRASS AND BRONZE WORKS, INC.

2 Saddleback Cove / P.O. Box 1088
Travelers Rest, SC 29690

Model No.
B-0665-CRBSTPVR

Item No.

Travelers Rest, SC: 800-476-4103 • Simi Valley, CA: 800-423-0150 • Fax: 864-834-3518 • www.tsbrass.com



ADA Compliant

This Space for Architect/Engineer Approval

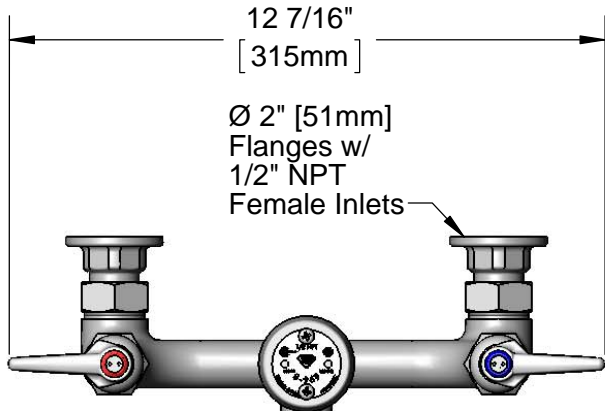
Job Name _____ Date _____

Model Specified _____ Quantity _____

Customer/Wholesaler _____

Contractor _____

Architect/Engineer _____



Ø 2" [51mm]
Flanges w/
1/2" NPT
Female Inlets

Support Rod w/
Wall Bracket &
Mounting Screws
(Included)

Items Not
Shown for
Clarity

B-0969
1/2" NPT
Vacuum
Breaker

Polished Chrome Finish
On Faucet Body & Spout

Quarter-Turn Cerama
Cartridges w/ Check
Valves & Lever Handles
w/ Color Coded Indexes
& Vandal Resistant Screws

Mounting
Surface

14 5/16"
[364mm]

Garden Hose
Male Outlet

3 3/4"
[95mm]

8"
[203mm]

Adjustable From
7 3/4" to 8 1/4"
[197mm to 210mm]

Built-In
Service Stops

1 1/8"
[28mm]

2 5/8"
[67mm]

9 1/8"
[231mm]

Product Specifications:

8" Wall Mount Service Sink Faucet, Quarter-Turn Cerama Cartridges w/ Check Valves, Lever Handles w/ Vandal Resistant Screws, Upper Support Rod, Built-In Service Stops, Garden Hose Male Outlet, Polished Chrome Finish, 1/2" NPT Vacuum Breaker & 1/2" NPT Female Inlets

Product Compliance:

ASME A112.18.1 / CSA B125.1
NSF 61 Exempt (Non-Potable)
ANSI A117.1 (ADA)



T&S BRASS AND BRONZE WORKS, INC.

2 Saddleback Cove / P.O. Box 1088
Travelers Rest, SC 29690

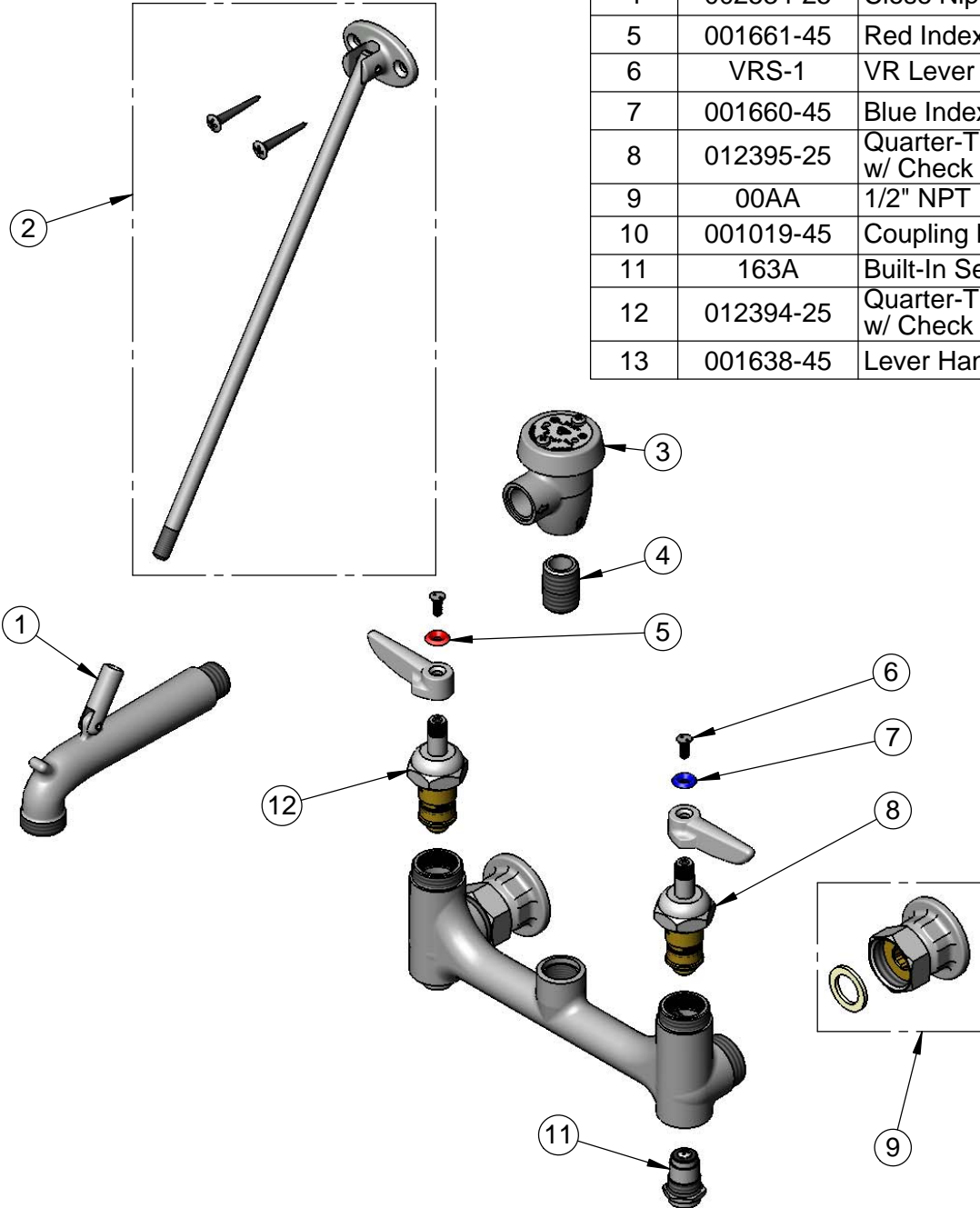
Model No.


B-0665-CRBSTPVR

Item No.

Travelers Rest, SC: 800-476-4103 • Simi Valley, CA: 800-423-0150 • Fax: 864-834-3518 • www.tsbrass.com

ITEM NO.	SALES NO.	DESCRIPTION
1	009545-40	Spout w/ Male Garden Hose Outlet & Upper Clevis - Polished Chrome
2	009546-40	Upper Support Rod
3	B-0969	1/2" NPT Vacuum Breaker
4	002534-25	Close Nipple, 1/2" NPT
5	001661-45	Red Index-HW
6	VRS-1	VR Lever Handle Screw w/ Spanner Bit
7	001660-45	Blue Index-CW
8	012395-25	Quarter-Turn Cerama Cartridge, LTC w/ Check Valve
9	00AA	1/2" NPT Female Eccentric Flange
10	001019-45	Coupling Nut Washer
11	163A	Built-In Service Stop
12	012394-25	Quarter-Turn Cerama Cartridge, RTC w/ Check Valve
13	001638-45	Lever Handle




 014075-45
 Vandal Resistant
 #10 Spanner Bit

Product Specifications:

8" Wall Mount Service Sink Faucet, Quarter-Turn Cerama Cartridges w/ Check Valves, Lever Handles w/ Vandal Resistant Screws, Upper Support Rod, Built-In Service Stops, Garden Hose Male Outlet, Polished Chrome Finish, 1/2" NPT Vacuum Breaker & 1/2" NPT Female Inlets

Product Compliance:

ASME A112.18.1 / CSA B125.1
NSF 61 Exempt (Non-Potable)
ANSI A117.1 (ADA)