



**T&S BRASS AND BRONZE WORKS, INC.**  
 2 Saddleback Cove / P.O. Box 1088  
 Travelers Rest, SC 29690

Model No.  
**B-0665-BSTR-CVB**

Item No.

Travelers Rest, SC: 800-476-4103 • Simi Valley, CA: 800-423-0150 • Fax: 864-834-3518 • www.tsbrass.com



**ADA Compliant**

This Space for Architect/Engineer Approval

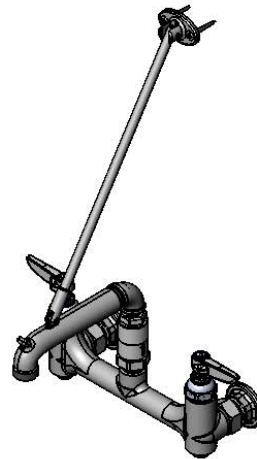
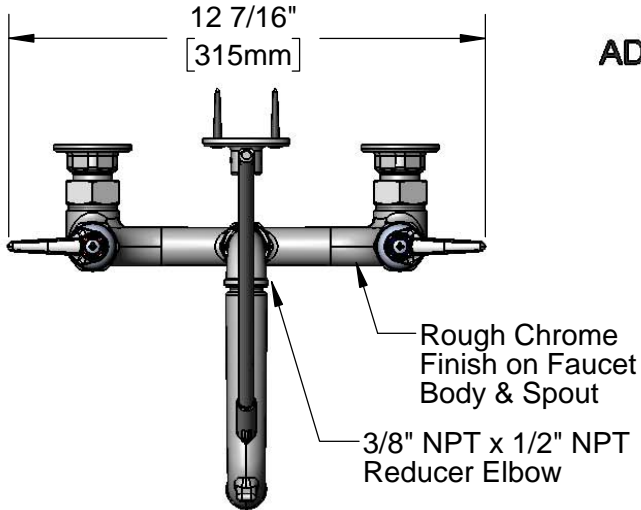
Job Name \_\_\_\_\_ Date \_\_\_\_\_

Model Specified \_\_\_\_\_ Quantity \_\_\_\_\_

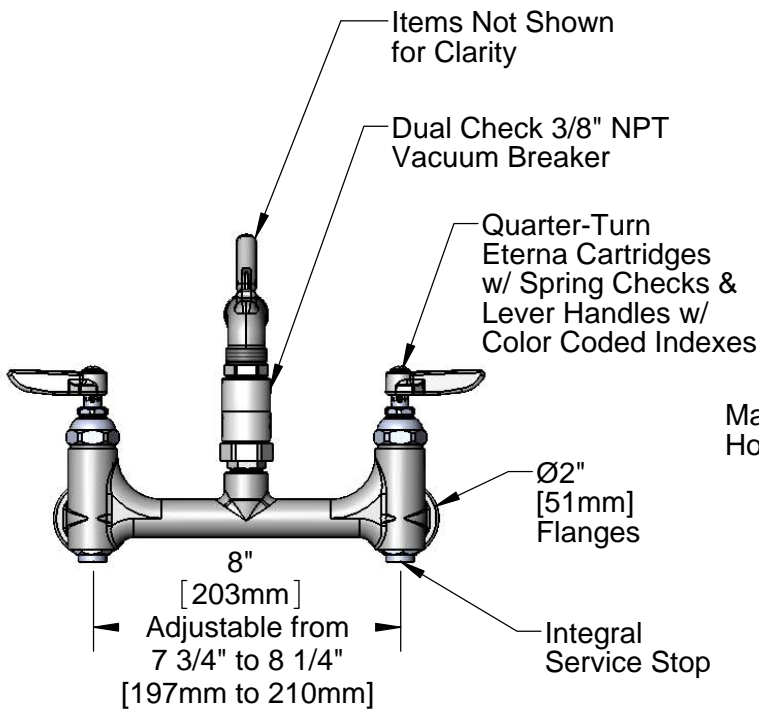
Customer/Wholesaler \_\_\_\_\_

Contractor \_\_\_\_\_

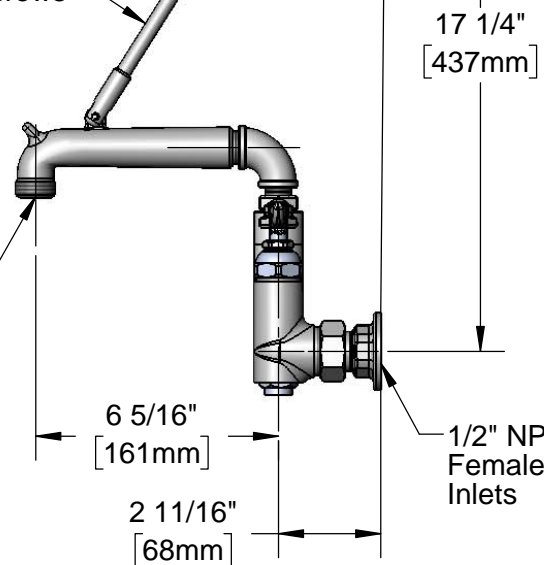
Architect/Engineer \_\_\_\_\_



Mounting Surface



Male Garden Hose Outlet



**Product Specifications:**

8' Wall Mount Service Sink, Quarter-Turn Eterna Cartridges w/ Spring Checks, Dual Check 3/8" NPT Vacuum Breaker, Lever Handles, Upper Support Rod, Built-In Stops, Garden Hose Male Outlet, Rough Chrome Finish and 1/2" NPT Female Inlets

**Product Compliance:**

ASME A112.18.1 / CSA B125.1  
 NSF 61 - Section 9  
 NSF 372 (Low Lead Content)  
 ANSI A117.1 (ADA)  
 ASSE 1001 (VB)



**T&S BRASS AND BRONZE WORKS, INC.**  
 2 Saddleback Cove / P.O. Box 1088  
 Travelers Rest, SC 29690

Model No.  
**B-0665-BSTR-CVB**

Item No.

Travelers Rest, SC: 800-476-4103 • Simi Valley, CA: 800-423-0150 • Fax: 864-834-3518 • www.tsbrass.com

ITEM NO.	SALES NO.	DESCRIPTION
1	009546-40	Upper Support Rod
2	009545-25	Spout w/ Male GH Outlet & Upper Clevis- Rough Chrome
3	B-0975	Dual Check Valve Vacuum Breaker
4	000922-45	Lever Handle Screw
5	001660-45	Blue Index-CW
6	002711-40	Quarter-Turn Eterna, LTC w/ Spring Check, Handle, Index & Screw
7	012442-40	Quarter-Turn Eterna Cartridge, LTC w/ Spring Check
8	00AA	1/2" NPT Female Eccentric Flange
9	001019-45	Coupling Nut Washer
10	163A	Built-In Service Stop
11	012443-40	Quarter-Turn Eterna Cartridge, RTC w/ Spring Check
12	002712-40	Quarter-Turn Eterna, RTC w/ Spring Check, Handle, Index & Screw
13	001638-45	Lever Handle
14	001661-45	Red Index-HW

**Product Specifications:**  
 8' Wall Mount Service Sink, Quarter-Turn Eterna Cartridges w/ Spring Checks, Dual Check 3/8" NPT Vacuum Breaker, Lever Handles, Upper Support Rod, Built-In Stops, Garden Hose Male Outlet, Rough Chrome Finish and 1/2" NPT Female Inlets

**Product Compliance:**  
 ASME A112.18.1 / CSA B125.1  
 NSF 61 - Section 9  
 NSF 372 (Low Lead Content)  
 ANSI A117.1 (ADA)  
 ASSE 1001 (VB)