



T&S BRASS AND BRONZE WORKS, INC.

2 Saddleback Cove / P.O. Box 1088
Travelers Rest, SC 29690

Model No.

B-0665-BSTR-963

Item No.

Travelers Rest, SC: 800-476-4103 • Simi Valley, CA: 800-423-0150 • Fax: 864-834-3518 • www.tsbrass.com



ADA Compliant

This Space for Architect/Engineer Approval

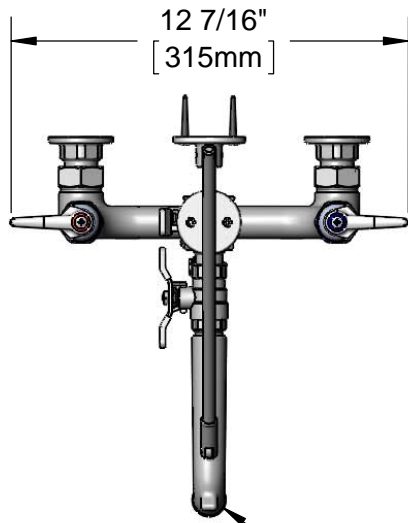
Job Name _____ Date _____

Model Specified _____ Quantity _____

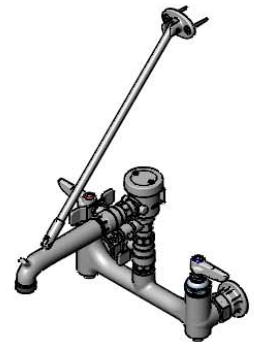
Customer/Wholesaler _____

Contractor _____

Architect/Engineer _____



Garden Hose
Male Outlet



Quarter-Turn
Eterna Cartridges w/
Spring Checks &
Lever Handles w/
Color Coded Indexes

Items Not Shown
for Clarity

B-0963
Vacuum
Breaker

Support Rod
Furnished w/ Wall
Bracket &
Mounting Screws

3 15/16"
[101mm]

Ø2" [51mm]
Flanges w/
1/2" NPT
Female Inlets

15 9/16"
[395mm]

8"
[203mm]
Adjustable from
7 3/4" to 8 1/4"
[197mm to 210mm]

Integral
Service
Stop

8 11/16"
[220mm]

2 11/16"
[68mm]

Mounting Surface

Product Specifications:

Wall Mount Service Sink, Rough Chrome with Integral Service Stops, Quarter-Turn Eterna Cartridges w/ Spring Checks, Lever Handles and Continuous Pressure Vacuum Breaker w/ Quarter-Turn Ball Valves

Product Compliance:

ASME A112.18.1 / CSA B125.1
NSF 61 - Section 9
NSF 372 (Low Lead Content)
ASSE 1056 (VB)
ANSI A117.1 (ADA)



T&S BRASS AND BRONZE WORKS, INC.

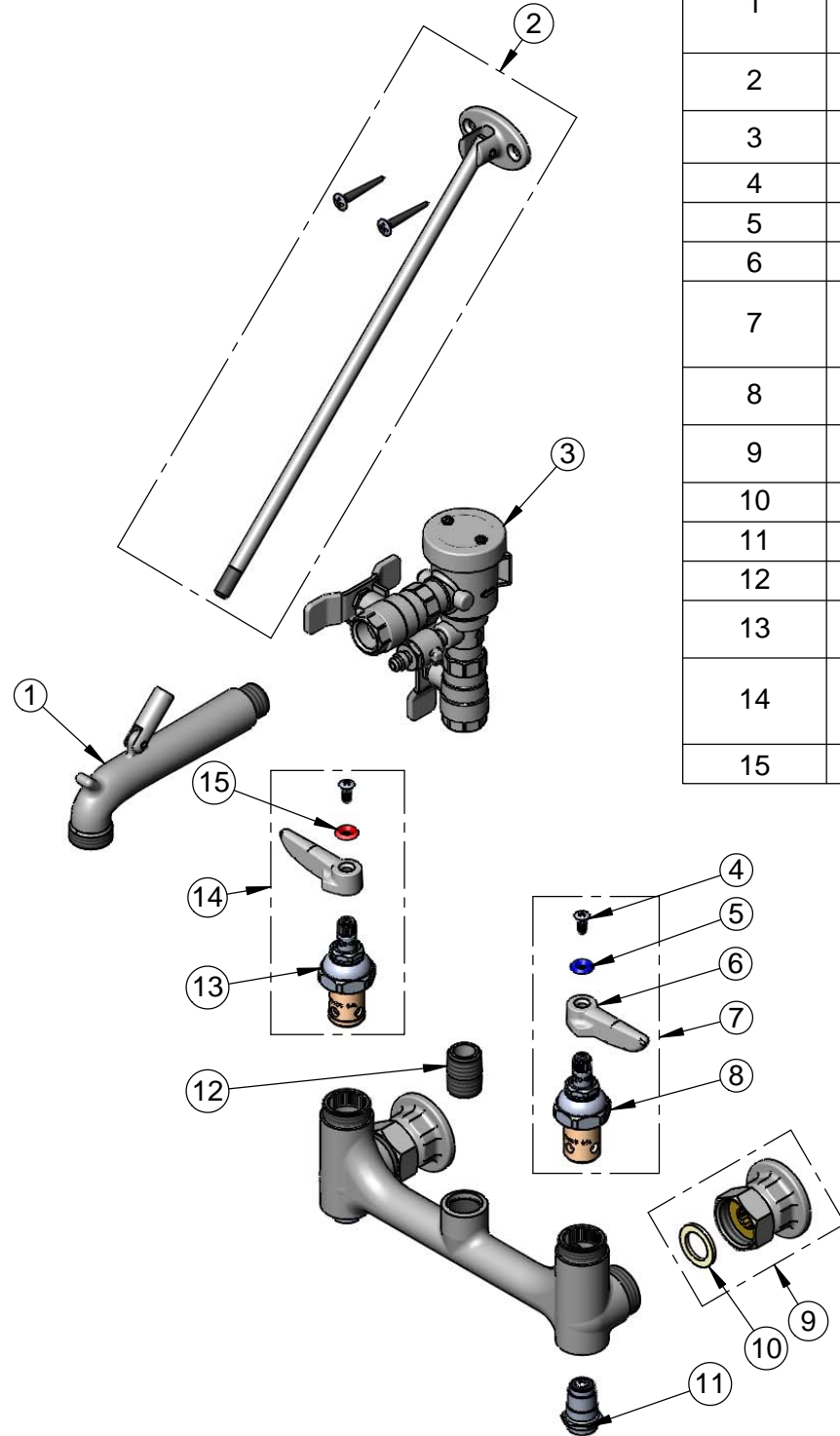
2 Saddleback Cove / P.O. Box 1088
Travelers Rest, SC 29690

Model No.

B-0665-BSTR-963

Item No.

Travelers Rest, SC: 800-476-4103 • Simi Valley, CA: 800-423-0150 • Fax: 864-834-3518 • www.tsbrass.com



ITEM NO.	SALES NO.	DESCRIPTION
1	009545-25	Spout w/ Male Garden Hose Outler & Upper Clevis- Rough Chrome
2	009546-40	Suprt Rod B-0665 - Polish Chrome
3	B-0963	Vacuum Breaker 1/2 NPT Female
4	000922-45	Lever Handle Screw
5	001660-45	Blue Index-CW
6	001638-45	Lever Handle
7	002711-40	Quarter-Turn Eterna Cartridge, LTC w/ Spring Check, Handle, Index & Screw
8	012442-40	Quarter-Turn Eterna Cartridge, LTC w/ Spring Check
9	00AA	1/2" NPT Female Eccentric Flange
10	001019-45	Coupling Nut Washer
11	163A	Built-In Service Stop
12	002534-25	Close Nipple, 1/2" NPT
13	012443-40	Quarter-Turn Eterna Cartridge, RTC w/ Spring Check
14	002712-40	Quarter-Turn Eterna Cartridge, RTC w/ Spring Check, Handle, Index & Screw
15	001661-45	Red Index-HW

Product Specifications:

Wall Mount Service Sink, Rough Chrome with Integral Service Stops, Quarter-Turn Eterna Cartridges w/ Spring Checks, Lever Handles and Continuous Pressure Vacuum Breaker w/ Quarter-Turn Ball Valves

Product Compliance:

ASME A112.18.1 / CSA B125.1
NSF 61 - Section 9
NSF 372 (Low Lead Content)
ASSE 1056 (VB)
ANSI A117.1 (ADA)