



T&S BRASS AND BRONZE WORKS, INC.
 2 Saddleback Cove / P.O. Box 1088
 Travelers Rest, SC 29690

Model No.
B-0665-BSTP-VRS

Item No.

Travelers Rest, SC: 800-476-4103 • Simi Valley, CA: 800-423-0150 • Fax: 864-834-3518 • www.tsbrass.com



ADA Compliant

This Space for Architect/Engineer Approval

Job Name _____ Date _____

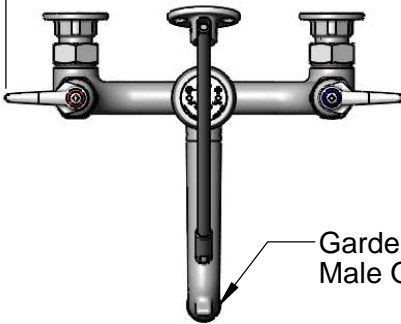
Model Specified _____ Quantity _____

Customer/Wholesaler _____

Contractor _____

Architect/Engineer _____

12 7/16"
 [315mm]



Garden Hose
 Male Outlet



Support Rod w/
 Wall Bracket &
 Mounting Screws

Mounting
 Surface

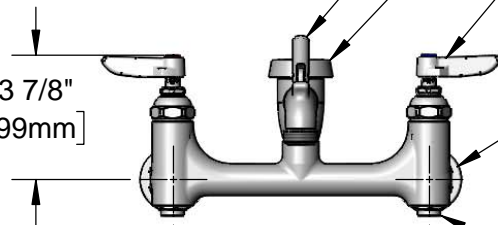
Items Not Shown
 for Clarity

B-0969
 1/2" NPT Vacuum
 Breaker

Quarter-Turn
 Eterna Cartridges w/ Spring
 Check & Lever Handles w/
 Color Coded Indexes and
 Vandal Resistant Screws

14 1/8"
 [359mm]

3 7/8"
 [99mm]



Ø 2" [51mm]
 Flanges w/
 1/2" NPT
 Female Inlets

Built-In Service
 Stops

8"
 [203mm]
 Adjustable From
 7 3/4" to 8 1/4"
 [197mm to 210mm]

2 5/8"
 [67mm]

9 1/8"
 [231mm]

Product Specifications:

8" Wall Mount Service Sink, Quarter-Turn Eterna Cartridges w/ Spring Checks, Lever Handles w/ Vandal Resistant Screws, Upper Support Rod, Built-In Stops, Garden Hose Male Outlet, Polished Chrome Finish, 1/2" NPT Vacuum Breaker & 1/2" NPT Female Inlets

Product Compliance:

ASME A112.18.1 / CSA B125.1
 NSF 61 - Section 9
 NSF 372 (Low Lead Content)
 ANSI A117.1 (ADA)
 ASSE 1001 (VB)

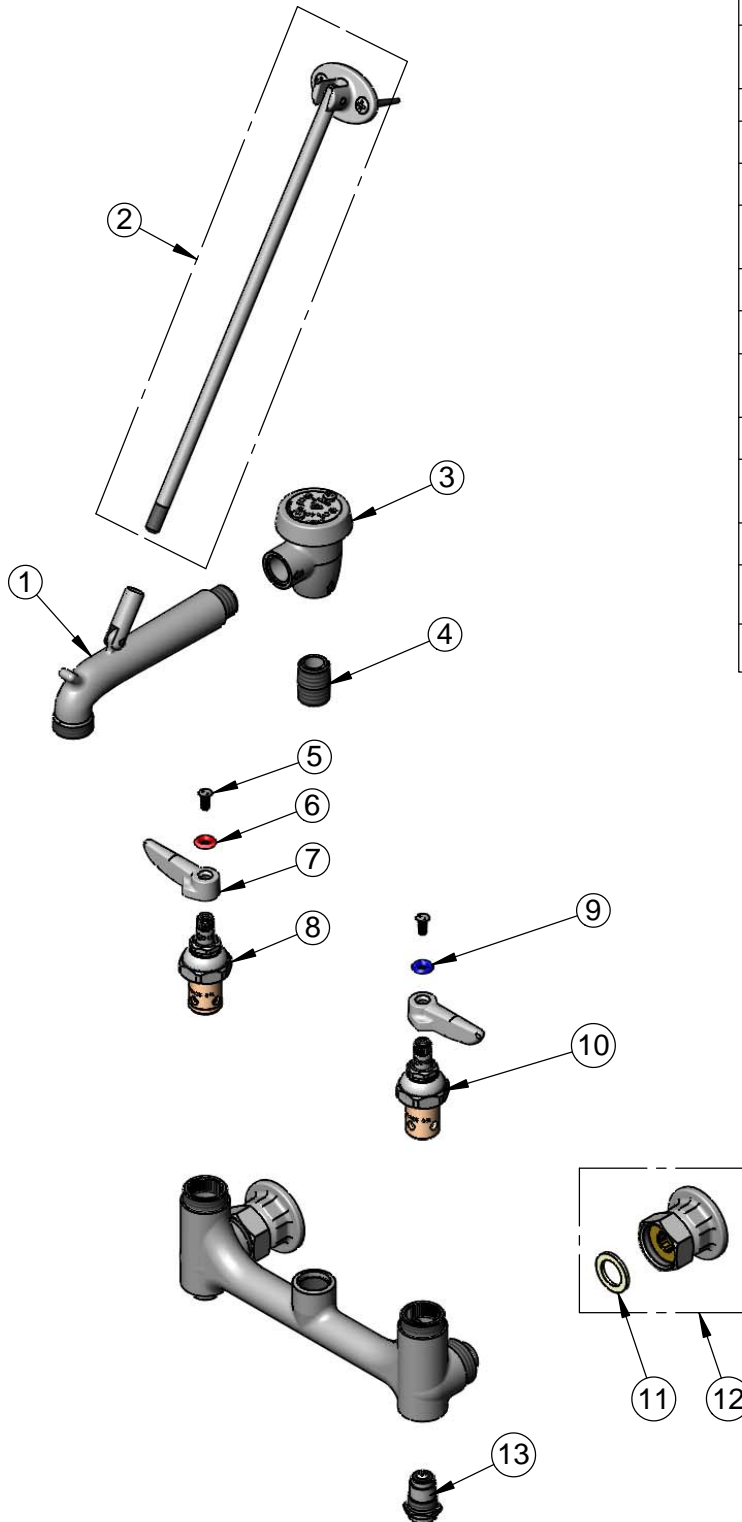


T&S BRASS AND BRONZE WORKS, INC.
 2 Saddleback Cove / P.O. Box 1088
 Travelers Rest, SC 29690

Model No.
B-0665-BSTP-VRS

Item No.

Travelers Rest, SC: 800-476-4103 • Simi Valley, CA: 800-423-0150 • Fax: 864-834-3518 • www.tsbrass.com



ITEM NO.	SALES NO.	DESCRIPTION
1	009545-40	Spout w/ Male GH Outlet & Upper Clevis - Polished Chrome
2	009546-40	Upper Support Rod
3	B-0969	1/2" NPT Vacuum Breaker
4	002534-25	Close Nipple, 1/2" NPT
5	VRS-1	VR Lever Handle Screw (2) w/ Spanner Bit
6	001661-45	Red Index-HW
7	001638-45	Lever Handle
8	012443-40	Quarter-Turn Eterna Cartridge, RTC w/ Spring Check
9	001660-45	Blue Index-CW
10	012442-40	Quarter-Turn Eterna Cartridge, LTC w/ Spring Check
11	001019-45	Coupling Nut Washer
12	00AA	1/2" NPT Female Eccentric Flange
13	163A	Built-in Service Stop


 014075-45
 Spanner Bit
 (Included)

Product Specifications:
 8" Wall Mount Service Sink, Quarter-Turn Eterna Cartridges w/ Spring Checks, Lever Handles w/ Vandal Resistant Screws, Upper Support Rod, Built-In Stops, Garden Hose Male Outlet, Polished Chrome Finish, 1/2" NPT Vacuum Breaker & 1/2" NPT Female Inlets

Product Compliance:
 ASME A112.18.1 / CSA B125.1
 NSF 61 - Section 9
 NSF 372 (Low Lead Content)
 ANSI A117.1 (ADA)
 ASSE 1001 (VB)