



T&S BRASS AND BRONZE WORKS, INC.

2 Saddleback Cove / P.O. Box 1088
Travelers Rest, SC 29690

Model No.

B-0665-BSTP-CVB

Item No.

Travelers Rest, SC: 800-476-4103 • Simi Valley, CA: 800-423-0150 • Fax: 864-834-3518 • www.tsbrass.com



ADA Compliant

This Space for Architect/Engineer Approval

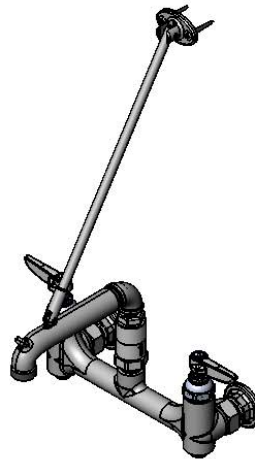
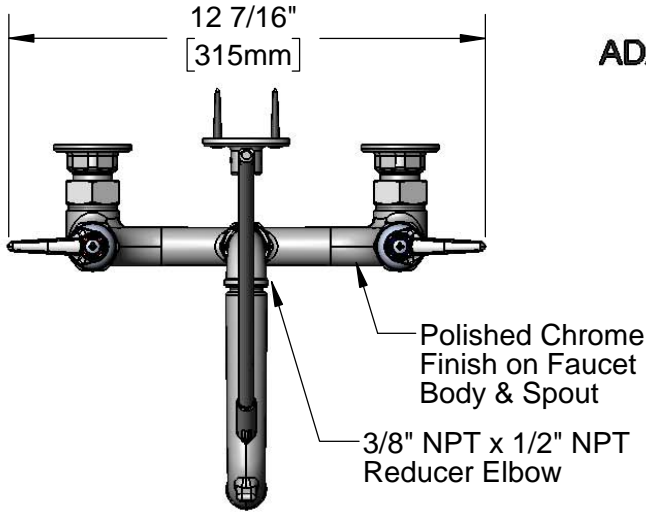
Job Name _____ Date _____

Model Specified _____ Quantity _____

Customer/Wholesaler _____

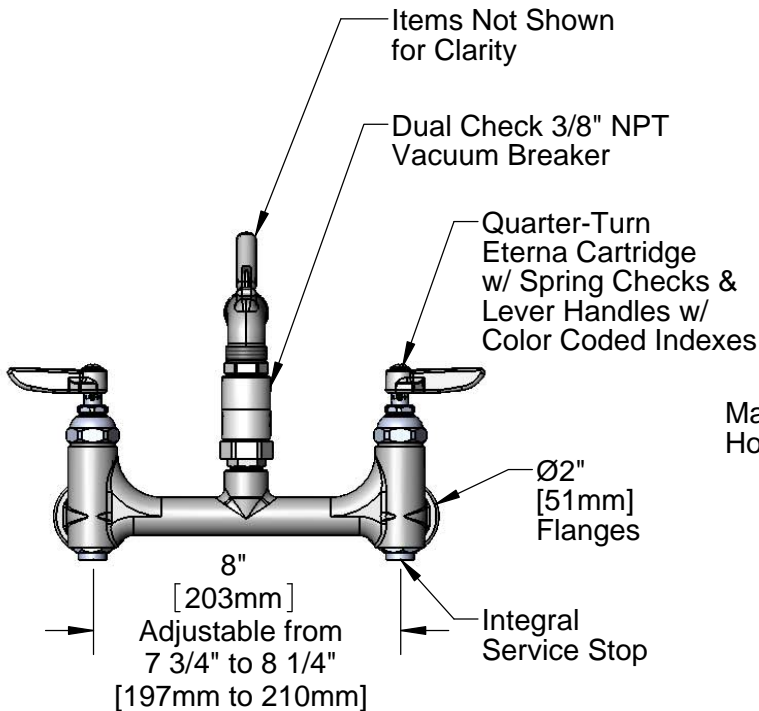
Contractor _____

Architect/Engineer _____



Mounting Surface

Support Rod, Furnished w/ Wall Bracket & Mounting Screws



Male Garden Hose Outlet

17 1/4"
[437mm]

6 5/16"
[161mm]

2 11/16"
[68mm]

1/2" NPT Female Inlets

Product Specifications:

8' Wall Mount Service Sink, Quarter-Turn Eterna Cartridges w/ Spring Checks, Dual Check 3/8" NPT Vacuum Breaker, Lever Handles, Upper Support Rod, Built-In Stops, Garden Hose Male Outlet, Polished Chrome Finish and 1/2" NPT Female Inlets

Product Compliance:

ASME A112.18.1 / CSA B125.1
NSF 61 - Section 9
NSF 372 (Low Lead Content)
ANSI A117.1 (ADA)
ASSE 1001 (VB)



T&S BRASS AND BRONZE WORKS, INC.

2 Saddleback Cove / P.O. Box 1088
Travelers Rest, SC 29690

Model No.

B-0665-BSTP-CVB

Item No.

Travelers Rest, SC: 800-476-4103 • Simi Valley, CA: 800-423-0150 • Fax: 864-834-3518 • www.tsbrass.com

ITEM NO.	SALES NO.	DESCRIPTION
1	009546-40	Upper Support Rod
2	009545-25	Spout w/ Male GH Outlet & Upper Clevis- Polished Chrome
3	B-0975	Dual Check Valve VB
4	000922-45	Lever Handle Screw
5	001660-45	Blue Index-CW
6	002711-40	Quarter-Turn Eterna, LTC w/ Spring Check, Handle, Index & Screw
7	012442-40	Quarter-Turn Eterna Cartridge, LTC w/ Spring Check
8	00AA	1/2" NPT Female Eccentric Flange
9	001019-45	Coupling Nut Washer
10	163A	Built-In Service Stop
11	012443-40	Quarter-Turn Eterna Cartridge, RTC w/ Spring Check
12	002712-40	Quarter-Turn Eterna, RTC w/ Spring Check, Handle, Index & Screw
13	001638-45	Lever Handle
14	001661-45	Red Index-HW

Product Specifications:
8' Wall Mount Service Sink, Quarter-Turn Eterna Cartridges w/ Spring Checks, Dual Check 3/8" NPT Vacuum Breaker, Lever Handles, Upper Support Rod, Built-In Stops, Garden Hose Male Outlet, Polished Chrome Finish and 1/2" NPT Female Inlets

Product Compliance:
ASME A112.18.1 / CSA B125.1
NSF 61 - Section 9
NSF 372 (Low Lead Content)
ANSI A117.1 (ADA)
ASSE 1001 (VB)