



T&S BRASS AND BRONZE WORKS, INC.

2 Saddleback Cove / P.O. Box 1088
Travelers Rest, SC 29690

Model No.

B-0665-BSTP-963

Item No.

Travelers Rest, SC: 800-476-4103 • Simi Valley, CA: 800-423-0150 • Fax: 864-834-3518 • www.tsbrass.com



ADA Compliant

This Space for Architect/Engineer Approval

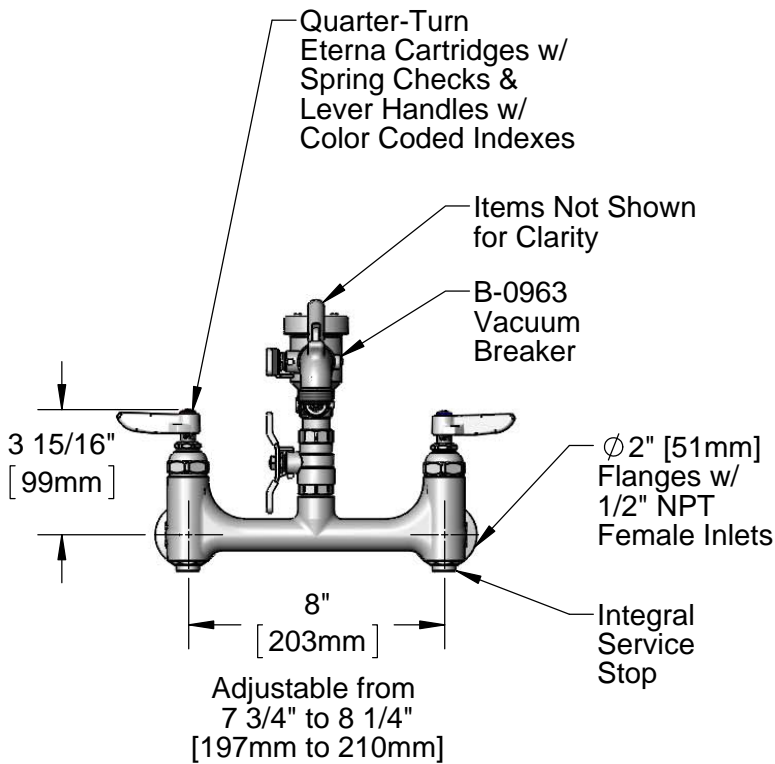
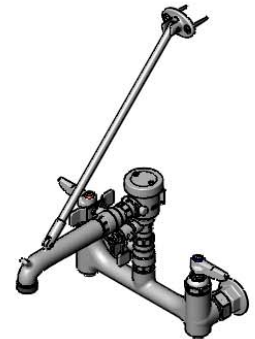
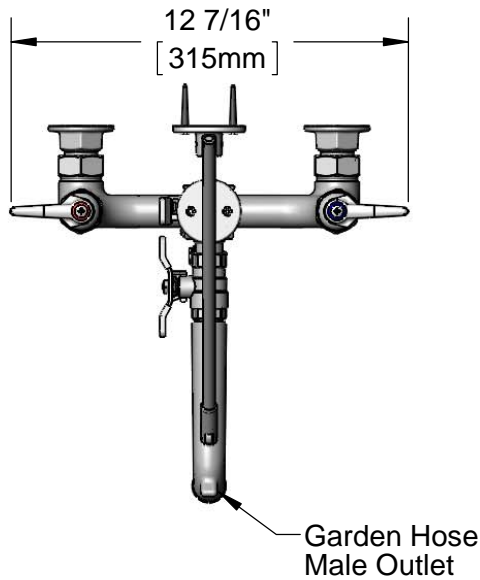
Job Name _____ Date _____

Model Specified _____ Quantity _____

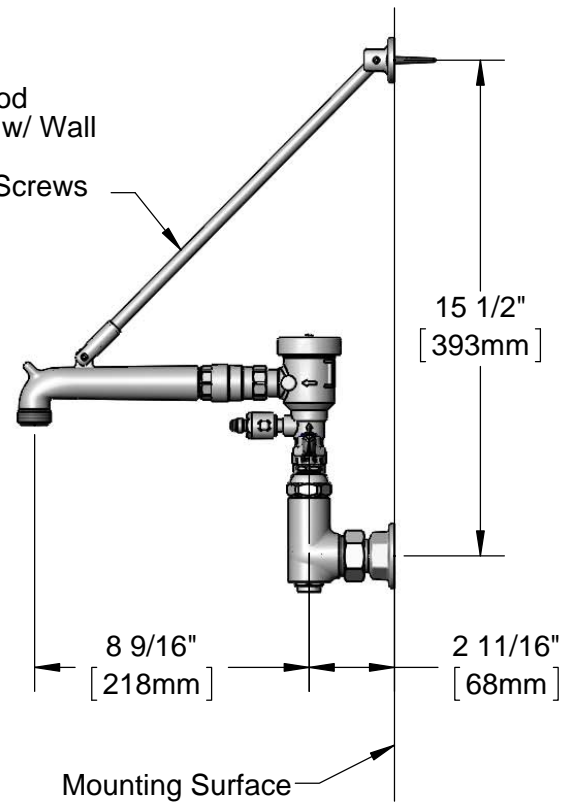
Customer/Wholesaler _____

Contractor _____

Architect/Engineer _____



Support Rod
Furnished w/ Wall
Bracket &
Mounting Screws



Product Specifications:

Wall Mount Service Sink, Polished Chrome with Integral Service Stops, Quarter-Turn Eterna Cartridges w/ Spring Checks, Lever Handles and Continuous Pressure Vacuum Breaker w/ Quarter-Turn Ball Valves

Product Compliance:

ASME A112.18.1 / CSA B125.1
NSF 61 - Section 9
NSF 372 (Low Lead Content)
ASSE 1001 (VB)
ANSI A117.1 (ADA)



T&S BRASS AND BRONZE WORKS, INC.

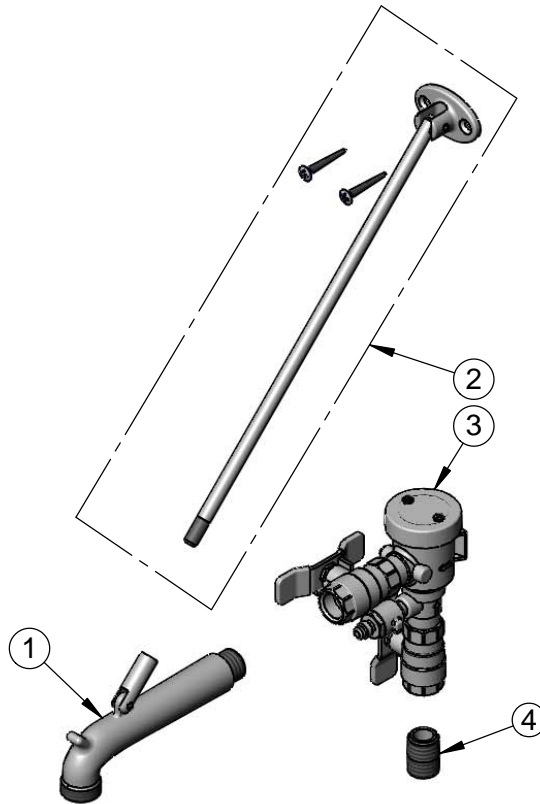
2 Saddleback Cove / P.O. Box 1088
Travelers Rest, SC 29690

Model No.

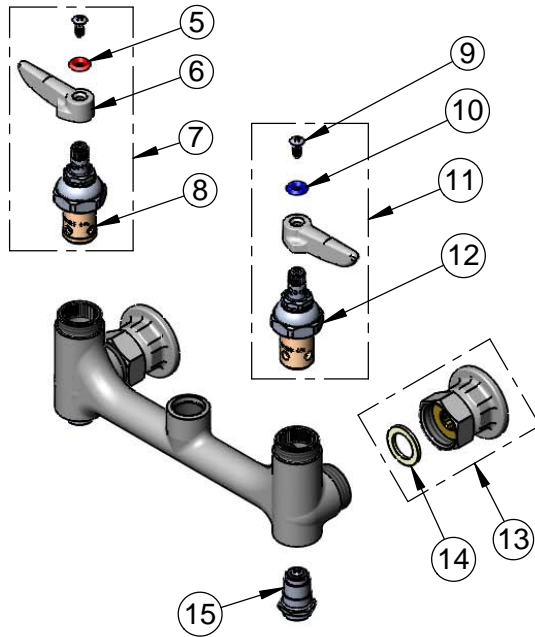
B-0665-BSTP-963

Item No.

Travelers Rest, SC: 800-476-4103 • Simi Valley, CA: 800-423-0150 • Fax: 864-834-3518 • www.tsbrass.com



ITEM NO.	SALES NO.	DESCRIPTION
1	009545-40	Spout Asm Polish Chrome w/ Top Support Clevis
2	009546-40	Suprt Rod B-0665 - Polish Chrome w/ Screws
3	B-0963	Vacuum Breaker 1/2" NPT Female
4	002534-25	Close Nipple, 1/2" NPT
5	001661-45	Red Index-HW
6	001638-45	Lever Handle
7	002712-40	Quarter-Turn Eterna Cartridge, RTC w/ Spring Check, Handle, Index & Screw
8	012443-40	Quarter-Turn Eterna Cartridge, RTC w/ Spring Check
9	000922-45	Lever Handle Screw
10	001660-45	Blue Index-CW
11	002711-40	Quarter-Turn Eterna Cartridge, LTC w/ Spring Check, Handle, Index & Screw
12	012442-40	Quarter-Turn Eterna Cartridge, LTC w/ Spring Check
13	00AA	1/2" NPT Female Eccentric Flange
14	001019-45	Coupling Nut Washer
15	163A	BST Assembly, 163A



Product Specifications:

Wall Mount Service Sink, Polished Chrome with Integral Service Stops, Quarter-Turn Eterna Cartridges w/ Spring Checks, Lever Handles and Continuous Pressure Vacuum Breaker w/ Quarter-Turn Ball Valves

Product Compliance:

ASME A112.18.1 / CSA B125.1
NSF 61 - Section 9
NSF 372 (Low Lead Content)
ASSE 1001 (VB)
ANSI A117.1 (ADA)