



# T&S BRASS AND BRONZE WORKS, INC.

2 Saddleback Cove / P.O. Box 1088  
Travelers Rest, SC 29690

Model No.

**B-0664-05**

Item No.

Travelers Rest, SC: 800-476-4103 • Simi Valley, CA: 800-423-0150 • Fax: 864-834-3518 • www.tsbrass.com



**ADA Compliant**

This Space for Architect/Engineer Approval

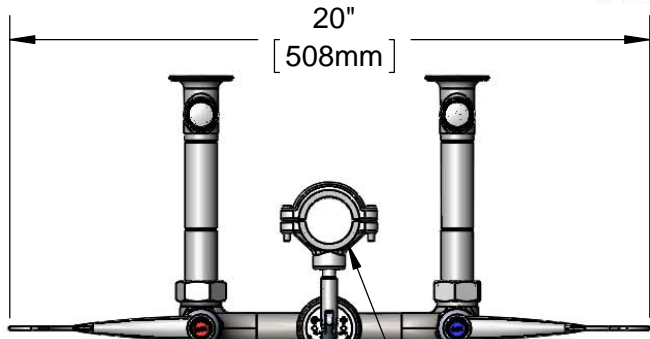
Job Name \_\_\_\_\_ Date \_\_\_\_\_

Model Specified \_\_\_\_\_ Quantity \_\_\_\_\_

Customer/Wholesaler \_\_\_\_\_

Contractor \_\_\_\_\_

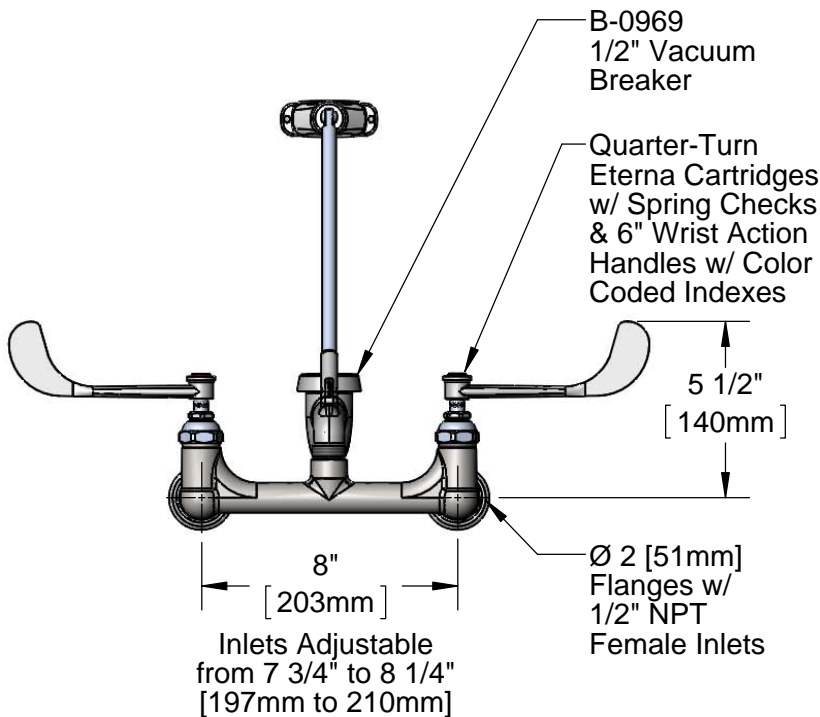
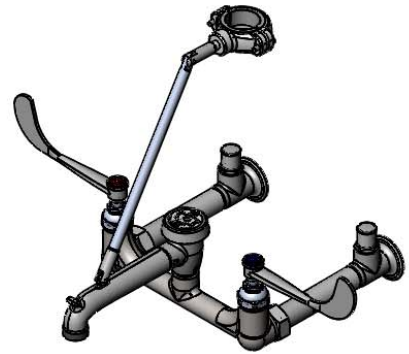
Architect/Engineer \_\_\_\_\_



20"  
[508mm]

Split-Ring Clamp Upper Assembly Fastens to Ø 1 1/2" O.D. Flush Tube (not shown)

Garden Hose Male Outlet



B-0969 1/2" Vacuum Breaker

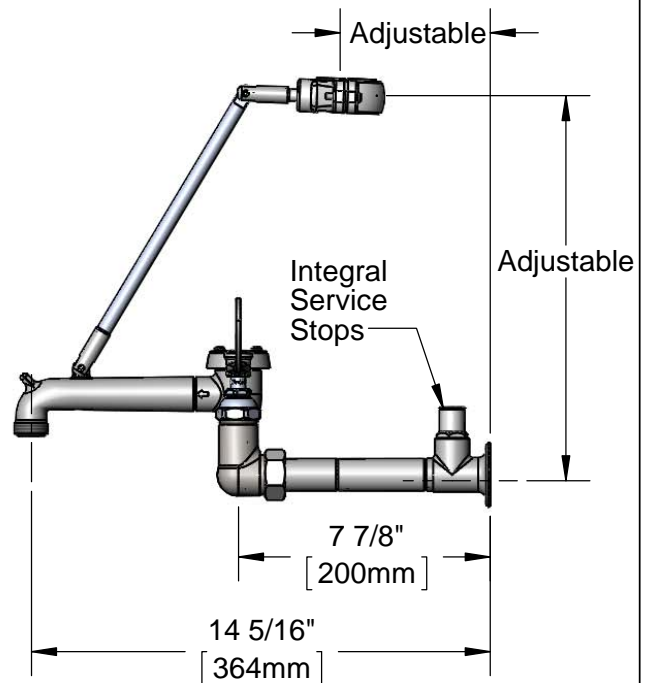
Quarter-Turn Eterna Cartridges w/ Spring Checks & 6" Wrist Action Handles w/ Color Coded Indexes

5 1/2"  
[140mm]

8"  
[203mm]

Inlets Adjustable from 7 3/4" to 8 1/4" [197mm to 210mm]

Ø 2 [51mm] Flanges w/ 1/2" NPT Female Inlets



Adjustable

Integral Service Stops

Adjustable

7 7/8"  
[200mm]

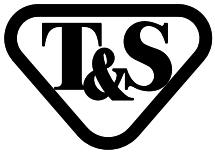
14 5/16"  
[364mm]

**Product Specifications:**

8" Wall Mount Service Sink Faucet, Quarter-Turn Eterna Cartridge w/ Spring Checks, Polished Chrome Finish, Split-Ring Clamp Upper Assembly for use on Ø 1 1/2" O.D. Flush Tubes, 6" Wrist Handles, Vacuum Breaker, 1/2" NPT Female Inlets, Integral Stop & Garden Hose Male Outlet

**Product Compliance:**

ASME A112.18.1 / CSA B125.1  
NSF 61 - Section 9  
NSF 372 (Low Lead Content)  
ANSI A117.1 (ADA)  
ASSE 1001 (VB)

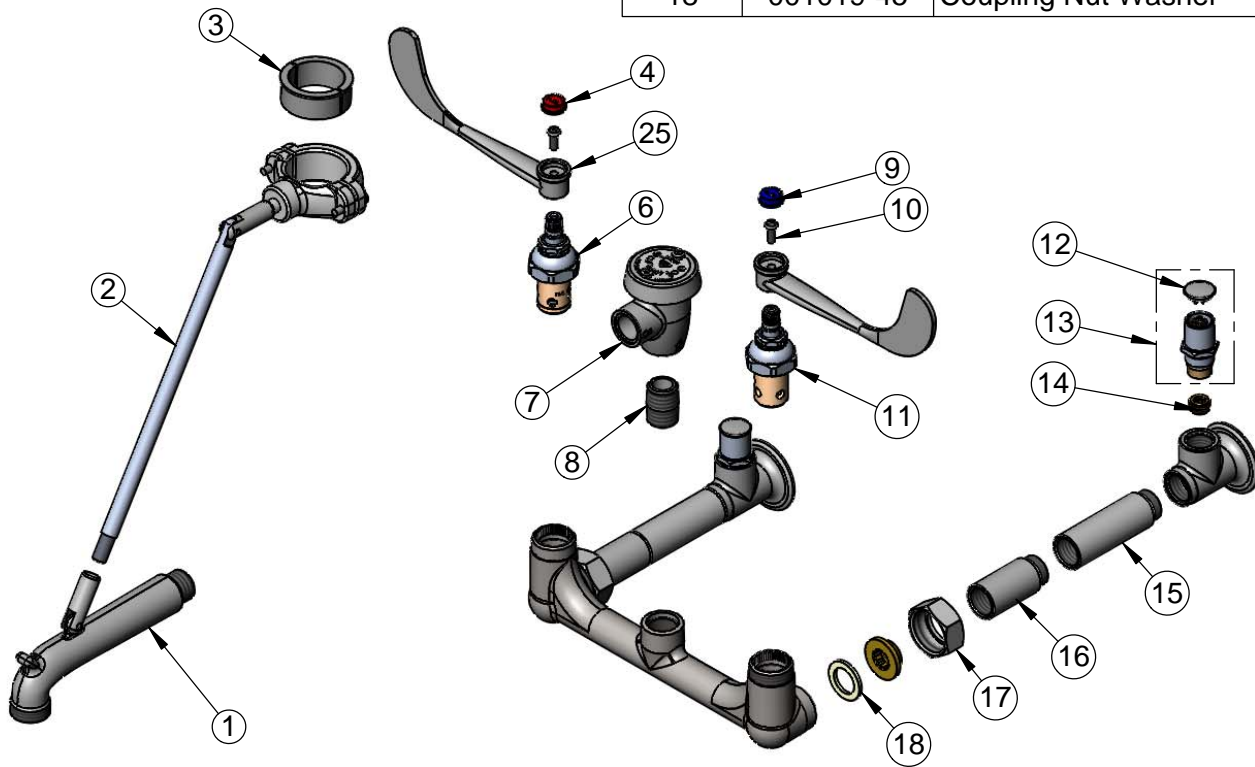


**T&S BRASS AND BRONZE WORKS, INC.**  
 2 Saddleback Cove / P.O. Box 1088  
 Travelers Rest, SC 29690

Model No.  
**B-0664-05**  
 Item No.

Travelers Rest, SC: 800-476-4103 • Simi Valley, CA: 800-423-0150 • Fax: 864-834-3518 • www.tsbrass.com

ITEM NO.	SALES NO.	DESCRIPTION
1	009545-40	Spout w/ Clevis Assembly
3	016863-20	Clamp Split Bushing (Set of 2 Halves)
4	001194-45	Red Index - HW
6	012443-40	Quarter-Turn Eterna Cartridge, RTC w/ Spring Check
7	B-0969	1/2" NPT Vacuum Breaker
8	002534-25	Close Nipple, 1/2" NPT
9	001686-45	Blue Index - CW
10	000925-45	Lab Handle Screw
11	012442-40	Quarter-Turn Eterna Cartridge, LTC w/ Spring Check
12	001605-45	Cap
13	002892-40	Spindle Asm w/ Cap
14	000763-20	Seat
15	000610-25	Extension, 2 3/4" Long
16	000611-25	Extension, 1 3/4" Long
17	000721-25	Flange Coupling Nut
18	001019-45	Coupling Nut Washer



**Product Specifications:**

8" Wall Mount Service Sink Faucet, Quarter-Turn Eterna Cartridge w/ Spring Checks, Polished Chrome Finish, Split-Ring Clamp Upper Assembly for use on Ø 1 1/2" O.D. Flush Tubes, 6" Wrist Handles, Vacuum Breaker, 1/2" NPT Female Inlets, Integral Stop & Garden Hose Male Outlet

**Product Compliance:**

ASME A112.18.1 / CSA B125.1  
 NSF 61 - Section 9  
 NSF 372 (Low Lead Content)  
 ANSI A117.1 (ADA)  
 ASSE 1001 (VB)