



T&S BRASS AND BRONZE WORKS, INC.

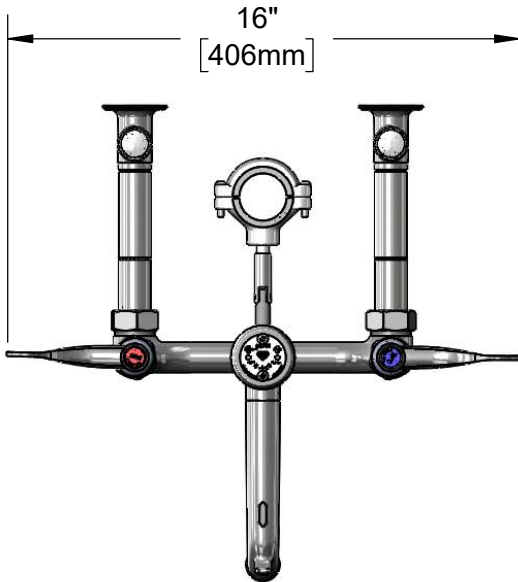
2 Saddleback Cove / P.O. Box 1088
Travelers Rest, SC 29690

Model No.

B-0664-03

Item No.

Travelers Rest, SC: 800-476-4103 • Simi Valley, CA: 800-423-0150 • Fax: 864-834-3518 • www.tsbrass.com



ADA Compliant

This Space for Architect/Engineer Approval

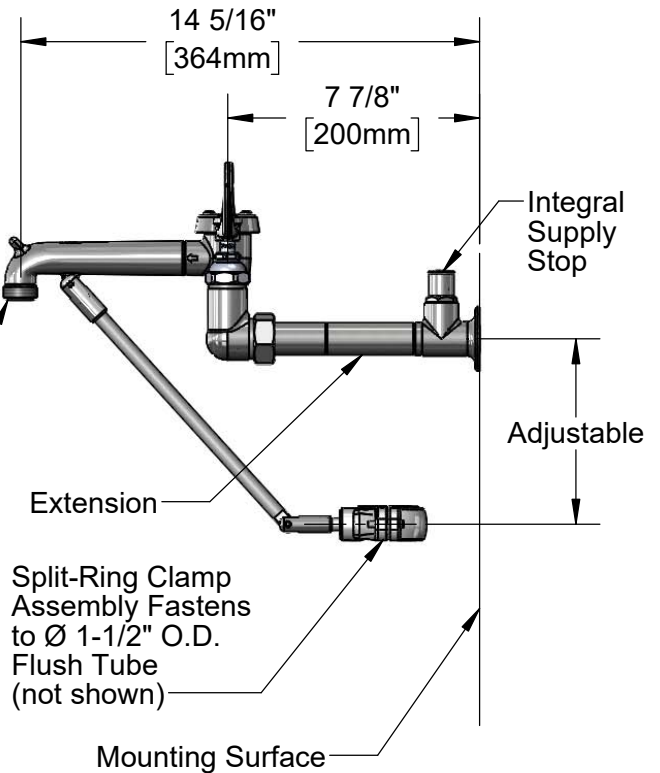
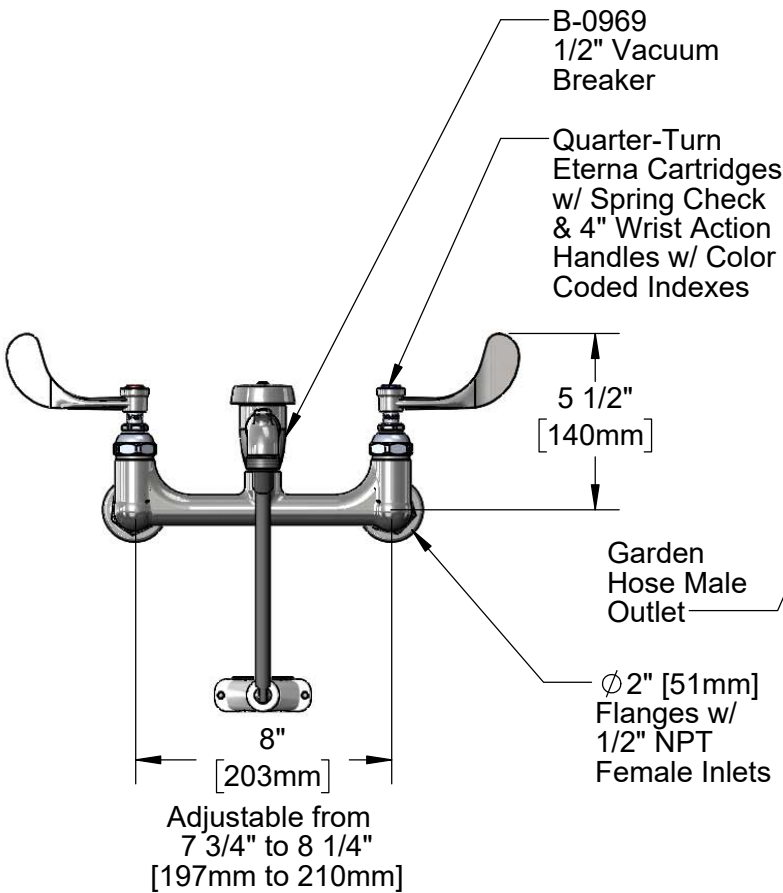
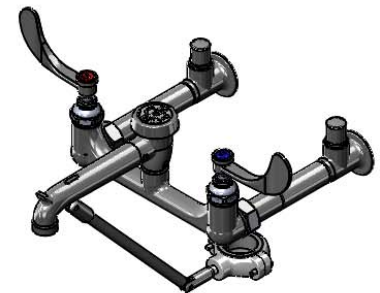
Job Name _____ Date _____

Model Specified _____ Quantity _____

Customer/Wholesaler _____

Contractor _____

Architect/Engineer _____



Product Specifications:

8" Wall Mount Service Sink Faucet, Quarter-Turn Eterna Cartridges with Spring Checks, Split-Ring Lower Support Clamp for use on \varnothing 1 1/2" Flush Tubes, 4" Wrist Handles, Polished Chrome Finish, Vacuum Breaker, 1/2" NPT Female Inlets, Integral Service Stops & Garden Hose Male Outlet

Product Compliance:

ASME A112.18.1 / CSA B125.1
NSF 61 - Section 9
NSF 372 (Low Lead Content)
ANSI A117.1 (ADA)
ASSE 1001 (VB)

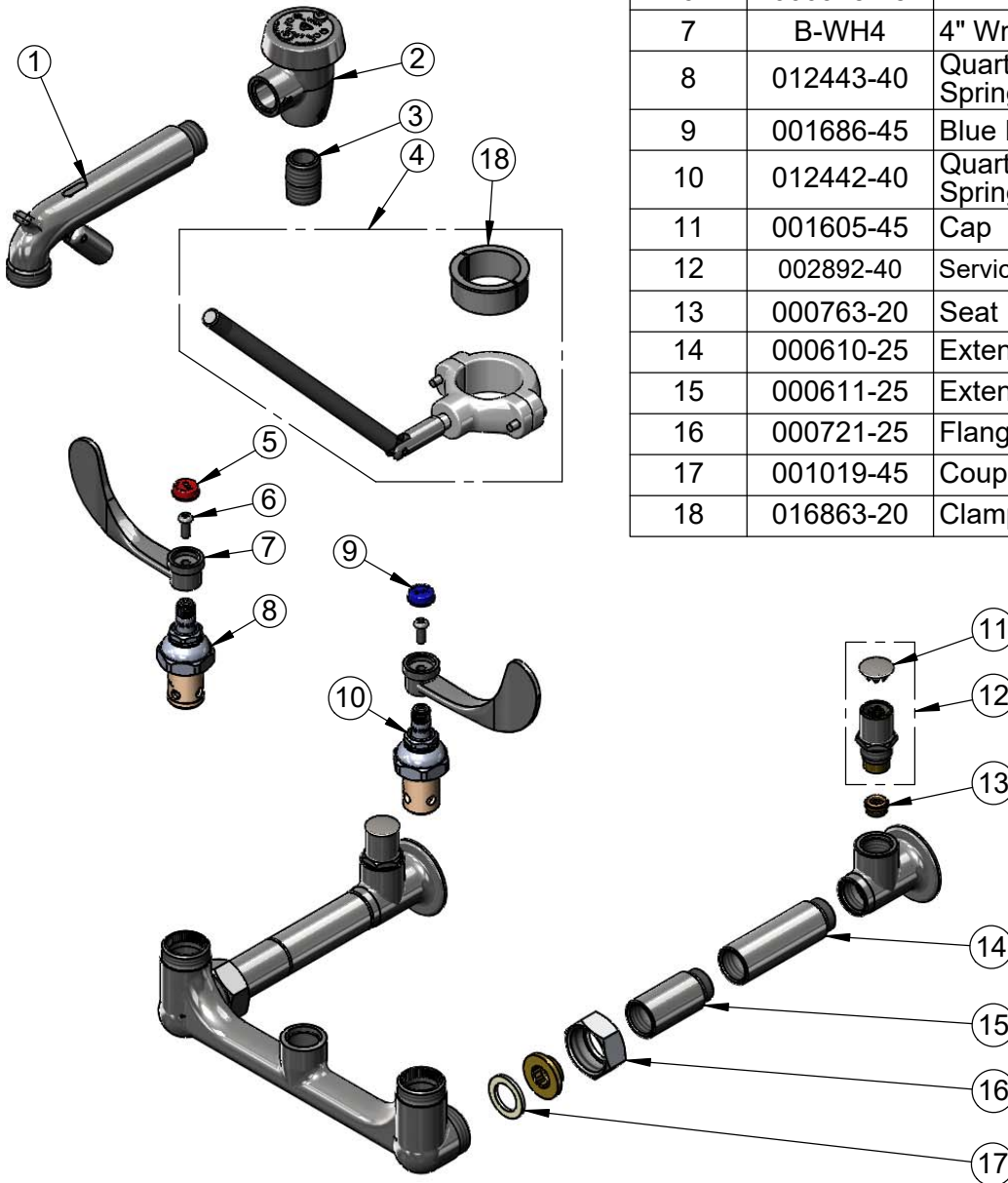


T&S BRASS AND BRONZE WORKS, INC.
 2 Saddleback Cove / P.O. Box 1088
 Travelers Rest, SC 29690

Model No.
B-0664-03
 Item No.

Travelers Rest, SC: 800-476-4103 • Simi Valley, CA: 800-423-0150 • Fax: 864-834-3518 • www.tsbrass.com

ITEM NO.	SALES NO.	DESCRIPTION
1	016450-40	Spout Assembly, Polish Chrome w/ Lower Clevis
2	B-0969	1/2" NPT Vacuum Breaker
3	002534-25	Close Nipple, 1/2" NPT
4	017882-40	Split Ring Pipe Clamp Lower Assembly
5	001194-45	Red Index - HW
6	000925-45	Lab Handle Screw
7	B-WH4	4" Wrist Action Handle
8	012443-40	Quarter-Turn Eterna Cartridge, RTC w/ Spring Check
9	001686-45	Blue Index - CW
10	012442-40	Quarter-Turn Eterna Cartridge, LTC w/ Spring Check
11	001605-45	Cap
12	002892-40	Service Stop w/ Cap
13	000763-20	Seat
14	000610-25	Extension, 2 3/4" Long
15	000611-25	Extension, 1 3/4" Long
16	000721-25	Flange Coupling Nut
17	001019-45	Coupling Nut Washer
18	016863-20	Clamp Split Bushing (Set of 2 halves)



Product Specifications:
 8" Wall Mount Service Sink Faucet, Quarter-Turn Eterna Cartridges with Spring Checks, Split-Ring Lower Support Clamp for use on Ø 1 1/2" Flush Tubes, 4" Wrist Handles, Polished Chrome Finish, Vacuum Breaker, 1/2" NPT Female Inlets, Integral Service Stops & Garden Hose Male Outlet

Product Compliance:
 ASME A112.18.1 / CSA B125.1
 NSF 61 - Section 9
 NSF 372 (Low Lead Content)
 ANSI A117.1 (ADA)
 ASSE 1001 (VB)