



T&S BRASS AND BRONZE WORKS, INC.

2 Saddleback Cove / P.O. Box 1088
Travelers Rest, SC 29690

Model No.

B-0664-02

Item No.

Travelers Rest, SC: 800-476-4103 • Simi Valley, CA: 800-423-0150 • Fax: 864-834-3518 • www.tsbrass.com

This Space for Architect/Engineer Approval

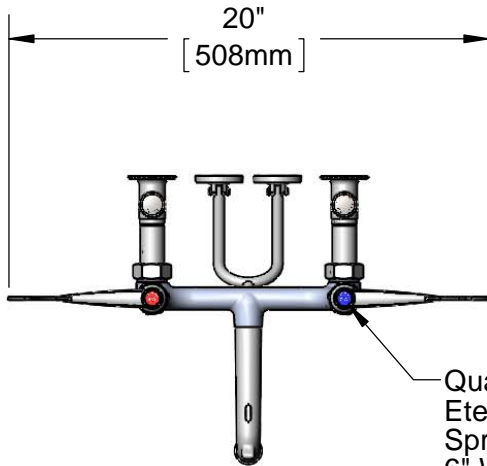
Job Name _____ Date _____

Model Specified _____ Quantity _____

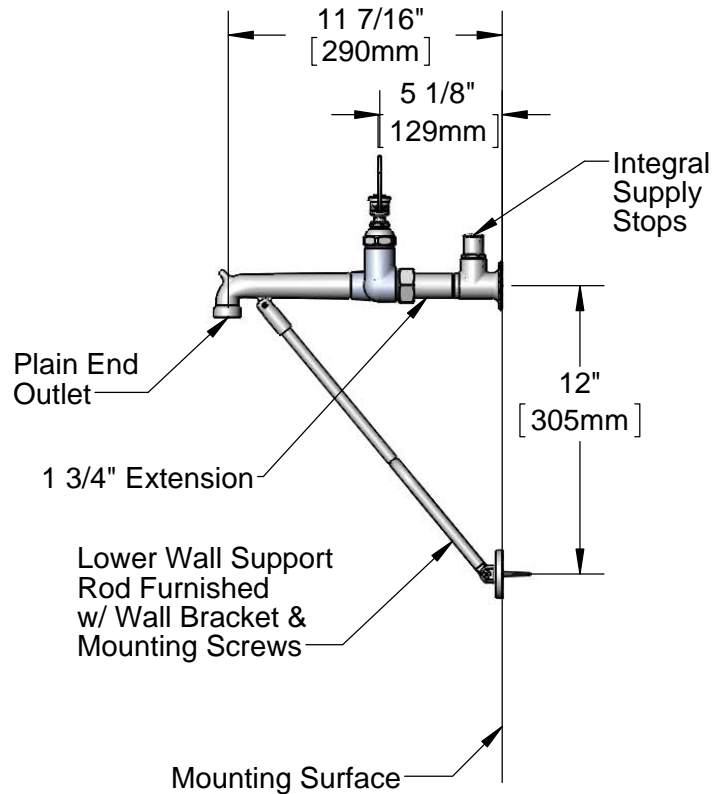
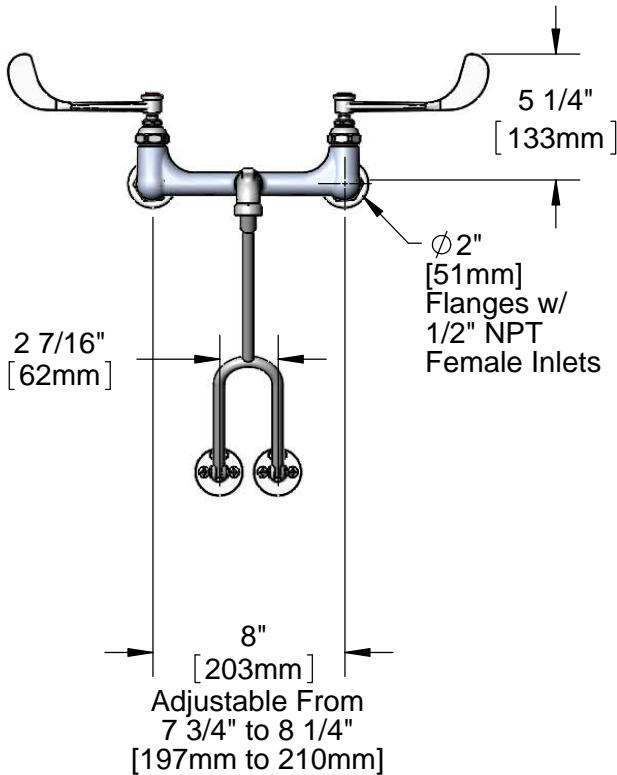
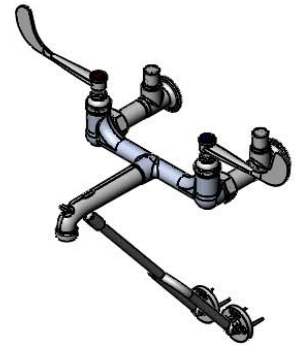
Customer/Wholesaler _____

Contractor _____

Architect/Engineer _____



Quarter-Turn Eterna Cartridges w/ Spring Checks & 6" Wrist Action Handles w/ Color Coded Indexes



Product Specifications:

8" Wall Mount Service Sink Faucet, Quarter-Turn Eterna Cartridge w/ Spring Checks, 6" Wrist Action Handles, Lower Support Rod, Plain End Outlet, Polished Chrome Finish, 1/2" NPT Female Extension Inlets w/ Integral Supply Stops

Product Compliance:

ASME A112.18.1 / CSA B125.1
NSF 61 - Section 9
NSF 372 (Low Lead Content)
ANSI A117.1 (ADA)



T&S BRASS AND BRONZE WORKS, INC.

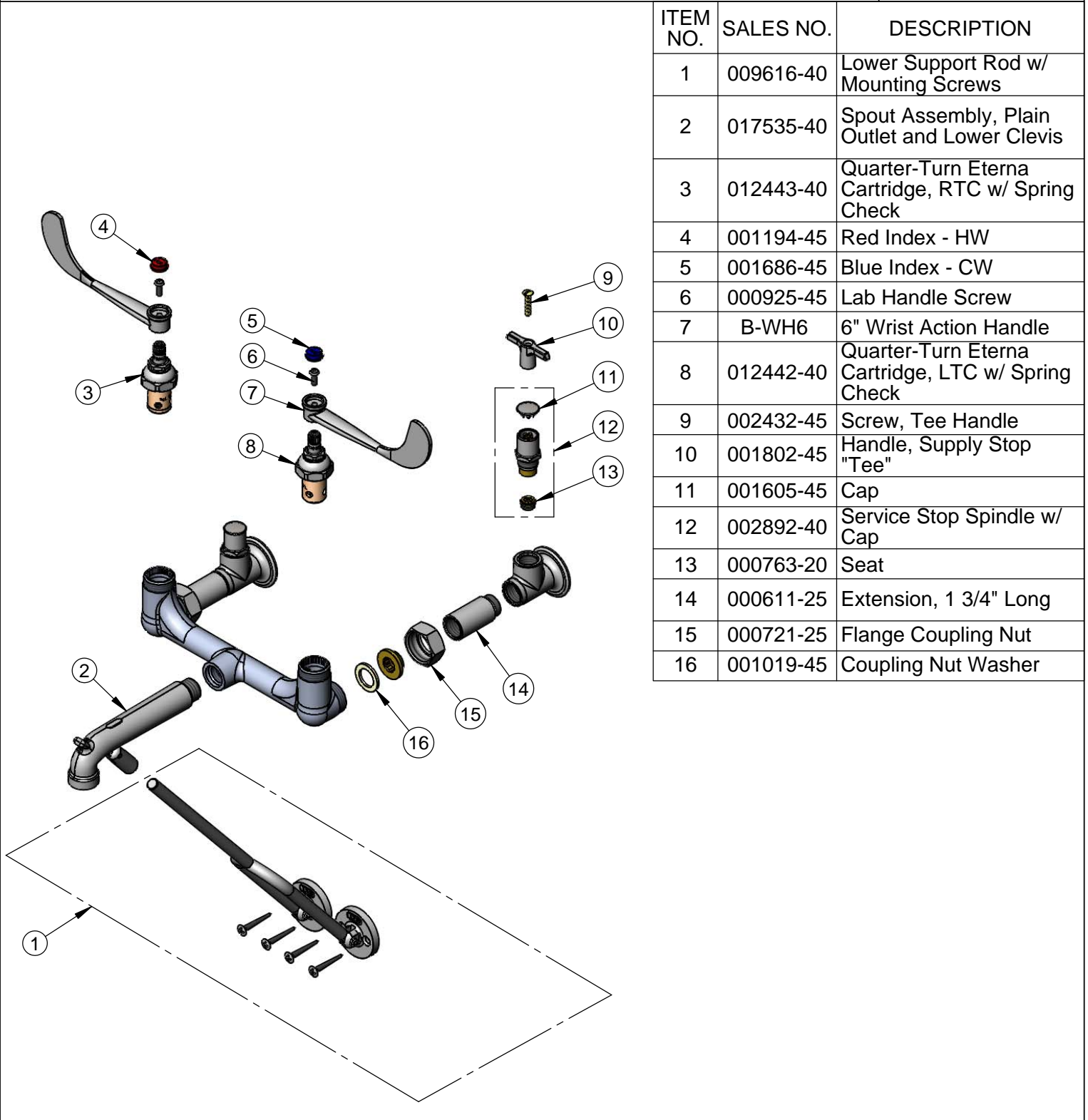
2 Saddleback Cove / P.O. Box 1088
Travelers Rest, SC 29690

Model No.

B-0664-02

Item No.

Travelers Rest, SC: 800-476-4103 • Simi Valley, CA: 800-423-0150 • Fax: 864-834-3518 • www.tsbrass.com



ITEM NO.	SALES NO.	DESCRIPTION
1	009616-40	Lower Support Rod w/ Mounting Screws
2	017535-40	Spout Assembly, Plain Outlet and Lower Clevis
3	012443-40	Quarter-Turn Eterna Cartridge, RTC w/ Spring Check
4	001194-45	Red Index - HW
5	001686-45	Blue Index - CW
6	000925-45	Lab Handle Screw
7	B-WH6	6" Wrist Action Handle
8	012442-40	Quarter-Turn Eterna Cartridge, LTC w/ Spring Check
9	002432-45	Screw, Tee Handle
10	001802-45	Handle, Supply Stop "Tee"
11	001605-45	Cap
12	002892-40	Service Stop Spindle w/ Cap
13	000763-20	Seat
14	000611-25	Extension, 1 3/4" Long
15	000721-25	Flange Coupling Nut
16	001019-45	Coupling Nut Washer

Product Specifications:

8" Wall Mount Service Sink Faucet, Quarter-Turn Eterna Cartridge w/ Spring Checks, 6" Wrist Action Handles, Lower Support Rod, Plain End Outlet, Polished Chrome Finish, 1/2" NPT Female Extension Inlets w/ Integral Supply Stops

Product Compliance:

ASME A112.18.1 / CSA B125.1
NSF 61 - Section 9
NSF 372 (Low Lead Content)
ANSI A117.1 (ADA)