



# T&S BRASS AND BRONZE WORKS, INC.

2 Saddleback Cove / P.O. Box 1088  
Travelers Rest, SC 29690

Model No.

**B-0661-POL**

Item No.

Travelers Rest, SC: 800-476-4103 • Simi Valley, CA: 800-423-0150 • Fax: 864-834-3518 • www.tsbrass.com



**ADA Compliant**

This Space for Architect/Engineer Approval

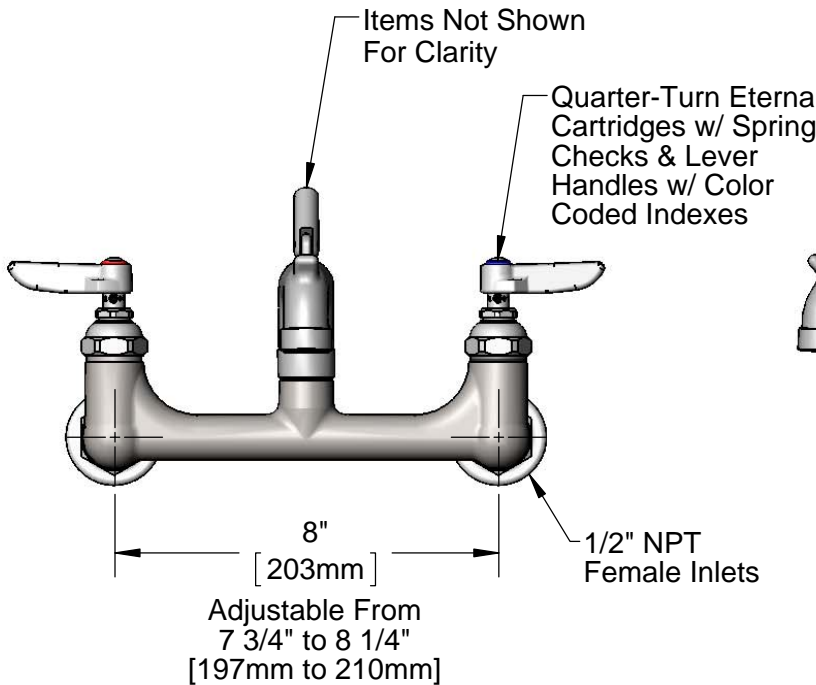
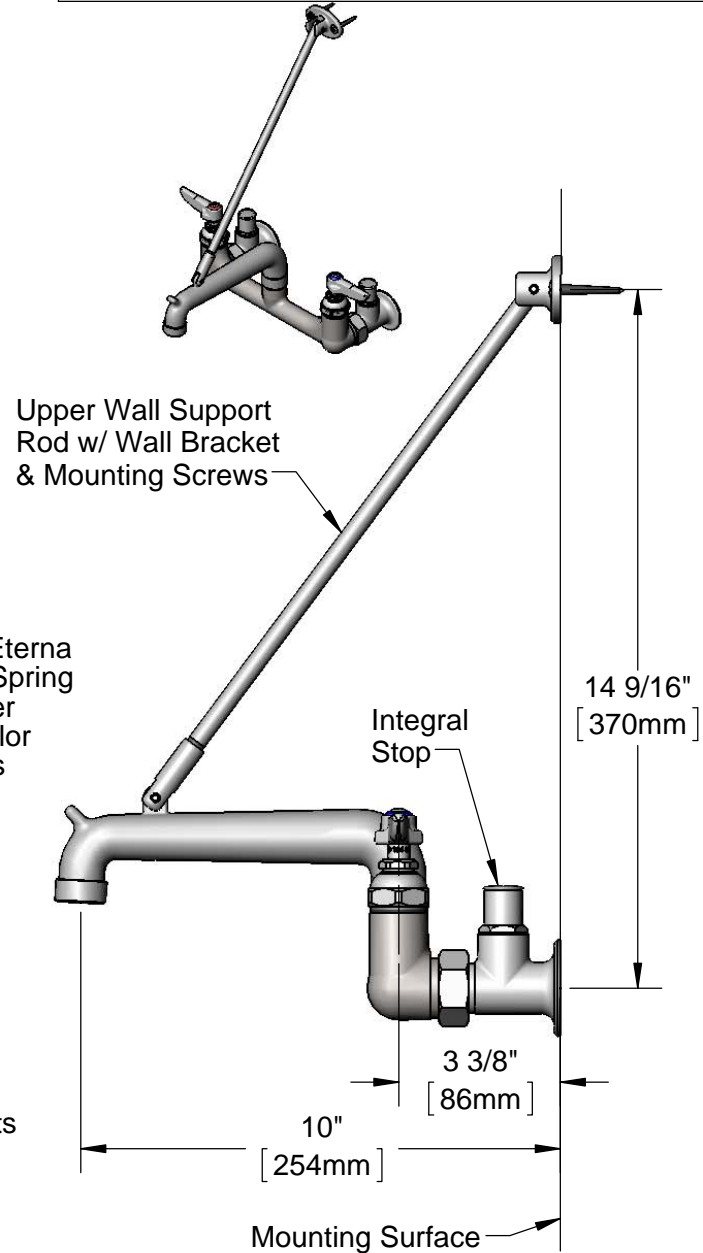
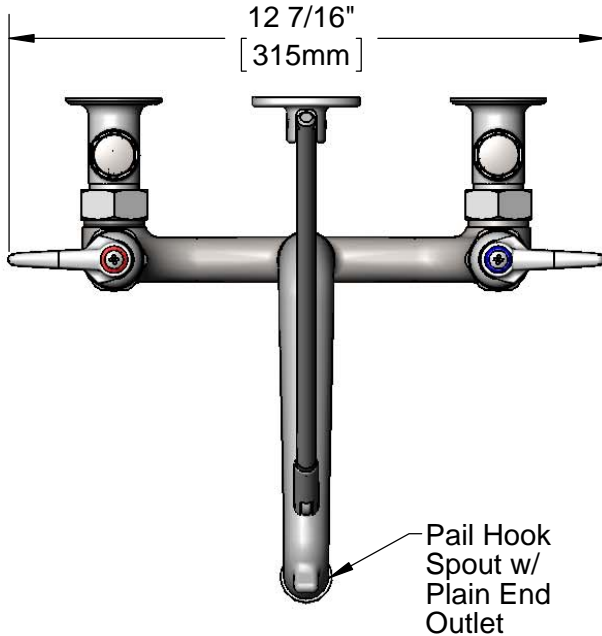
Job Name \_\_\_\_\_ Date \_\_\_\_\_

Model Specified \_\_\_\_\_ Quantity \_\_\_\_\_

Customer/Wholesaler \_\_\_\_\_

Contractor \_\_\_\_\_

Architect/Engineer \_\_\_\_\_



**Product Specifications:**

8" Wall Mount Service Sink Faucet, Quarter-Turn Eterna Cartridges w/ Spring Checks, Lever Handles, Integral Stops, Pail Hook Spout w/ Plain End Outlet, Polished Chrome Finish, Upper Support Rod & 1/2" NPT Female Inlets

**Product Compliance:**

ASME A112.18.1 / CSA B125.1  
NSF 61 - Section 9  
NSF 372 (Low Lead Content)  
ANSI A117.1 (ADA)

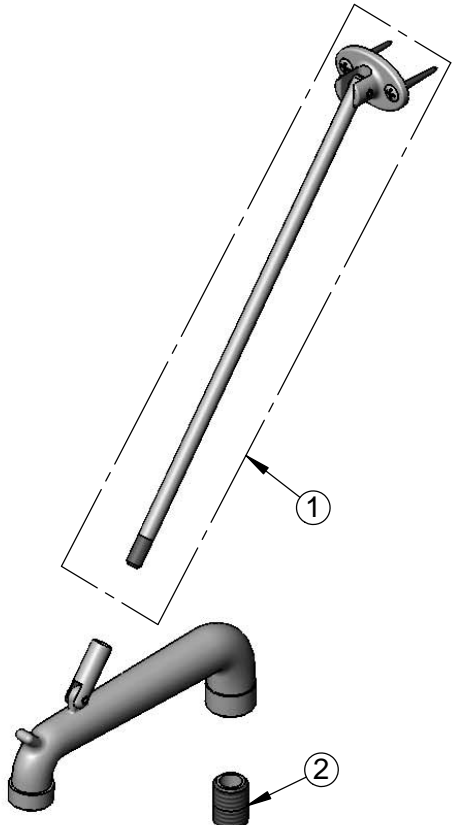


**T&S BRASS AND BRONZE WORKS, INC.**  
 2 Saddleback Cove / P.O. Box 1088  
 Travelers Rest, SC 29690

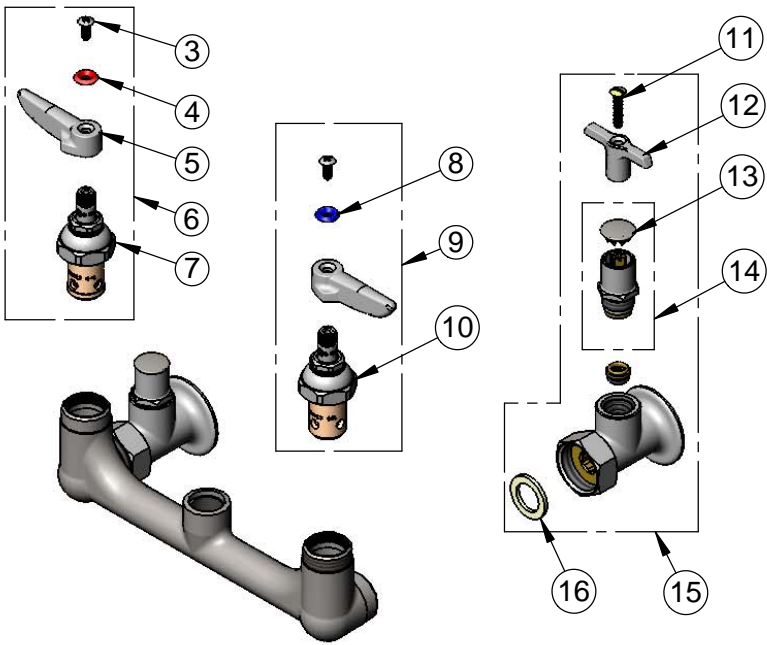
Model No.  
**B-0661-POL**

Item No.

Travelers Rest, SC: 800-476-4103 • Simi Valley, CA: 800-423-0150 • Fax: 864-834-3518 • www.tsbrass.com



ITEM NO.	SALES NO.	DESCRIPTION
1	009546-40	Upper Support Rod
2	002534-25	Close Nipple, 1/2" NPT
3	000922-45	Lever Handle Screw
4	001661-45	Red Index-HW
5	001638-45	Lever Handle
6	002712-40	Quarter-Turn Eterna Cartridge, RTC w/ Spring Check, Handle, Index & Screw
7	012443-40	Quarter-Turn Eterna Cartridge, RTC w/ Spring Check
8	001660-45	Blue Index-CW
9	002711-40	Quarter-Turn Eterna Cartridge, LTC w/ Spring Check, Handle, Index & Screw
10	012442-40	Quarter-Turn Eterna Cartridge, LTC w/ Spring Check
11	002432-45	Screw, Tee Handle
12	001802-45	Handle, Supply Stop "T"
13	001605-45	Cap
14	002892-40	Spindle Assembly w/ Cap
15	00JJ	1/2" NPT Female Inlet w/ Loose Key Stops
16	001019-45	Coupling Nut Washer



**Product Specifications:**  
 8" Wall Mount Service Sink Faucet, Quarter-Turn Eterna Cartridges w/ Spring Checks, Lever Handles, Integral Stops, Pail Hook Spout w/ Plain End Outlet, Polished Chrome Finish, Upper Support Rod & 1/2" NPT Female Inlets

**Product Compliance:**  
 ASME A112.18.1 / CSA B125.1  
 NSF 61 - Section 9  
 NSF 372 (Low Lead Content)  
 ANSI A117.1 (ADA)