



T&S BRASS AND BRONZE WORKS, INC.

2 Saddleback Cove / P.O. Box 1088
Travelers Rest, SC 29690

Model No.

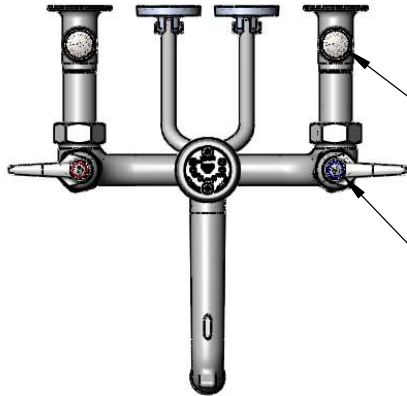
B-0656-POL

Item No.

Travelers Rest, SC: 800-476-4103 • Simi Valley, CA: 800-423-0150 • Fax: 864-834-3518 • www.tsbrass.com



ADA Compliant



00JJ-XT
Integral
Supply Stop

Quarter-Turn Eterna
Cartridges w/ Spring
Checks & Lever Handles
w/ Color Coded Indexes

This Space for Architect/Engineer Approval

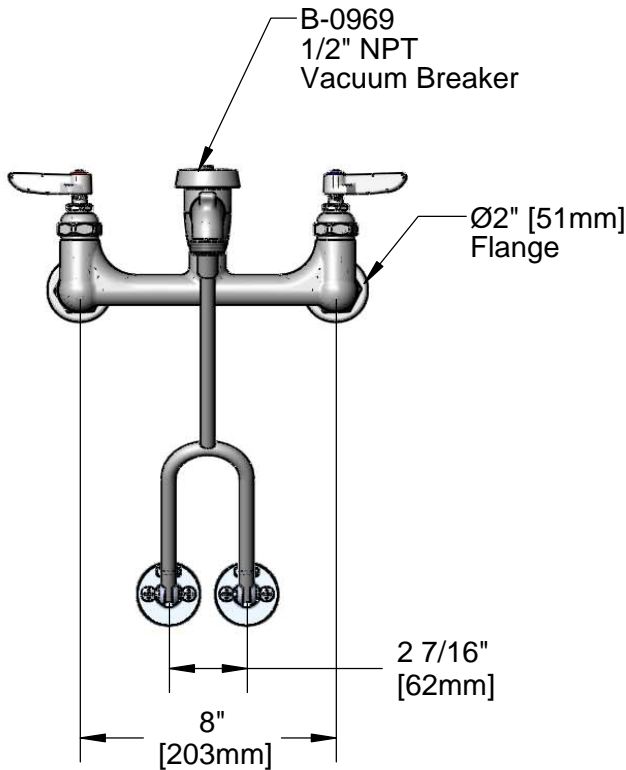
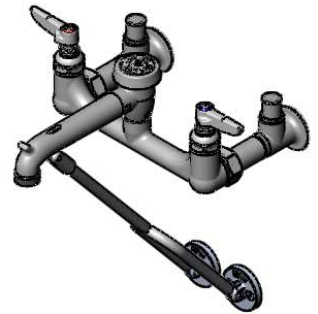
Job Name _____ Date _____

Model Specified _____ Quantity _____

Customer/Wholesaler _____

Contractor _____

Architect/Engineer _____

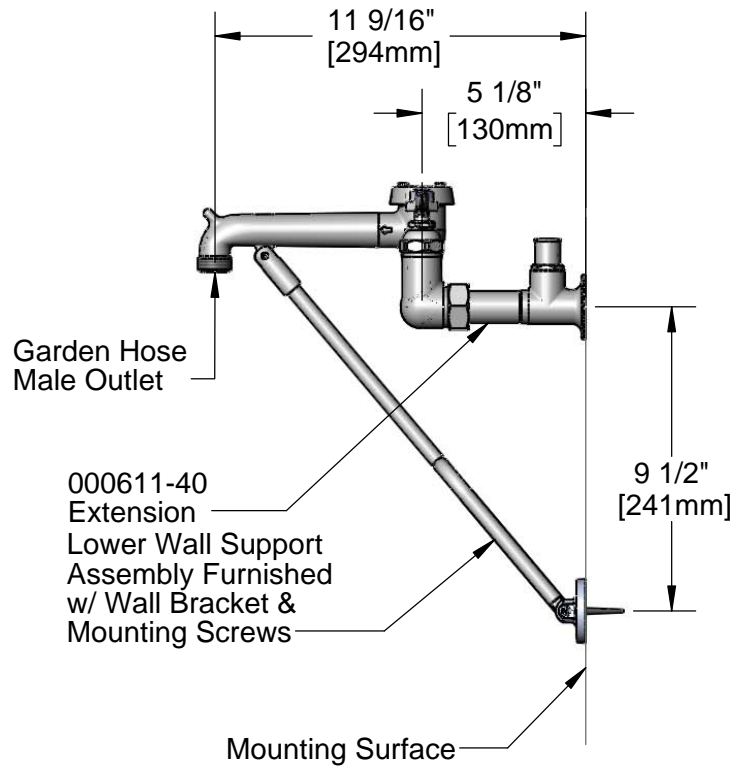


B-0969
1/2" NPT
Vacuum Breaker

Ø2" [51mm]
Flange

2 7/16"
[62mm]

8"
[203mm]



11 9/16"
[294mm]

5 1/8"
[130mm]

Garden Hose
Male Outlet

000611-40
Extension
Lower Wall Support
Assembly Furnished
w/ Wall Bracket &
Mounting Screws

9 1/2"
[241mm]

Mounting Surface

Product Specifications:

8" Wall Mount Service Sink, Quarter-Turn Eterna Cartridges w/ Spring Checks, Polish Chrome Finish, Lever Handles, Lower Support Rod, 1/2" NPT Extended Inlets w/ Integral Stops, Garden Hose Male Outlet & 1/2" Vacuum Breaker

Product Compliance:

ASME A112.18.1 / CSA B125.1
NSF 61 - Section 9
NSF 372 (Low Lead Content)
ASSE 1001 (VB)
ANSI A117.1 (ADA)

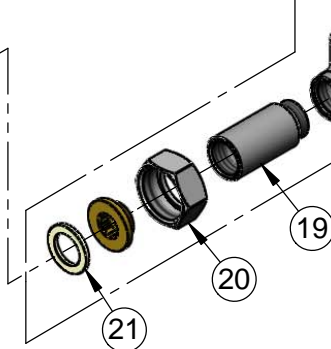
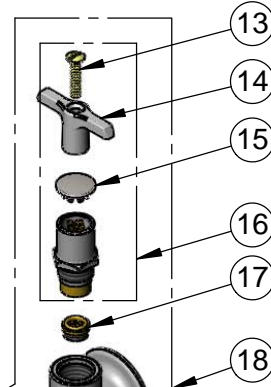
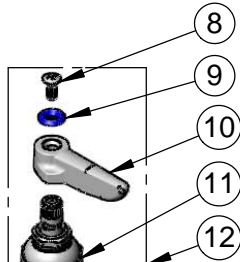
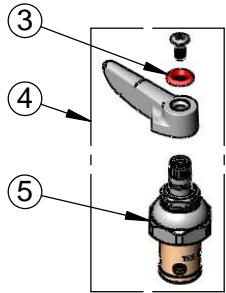
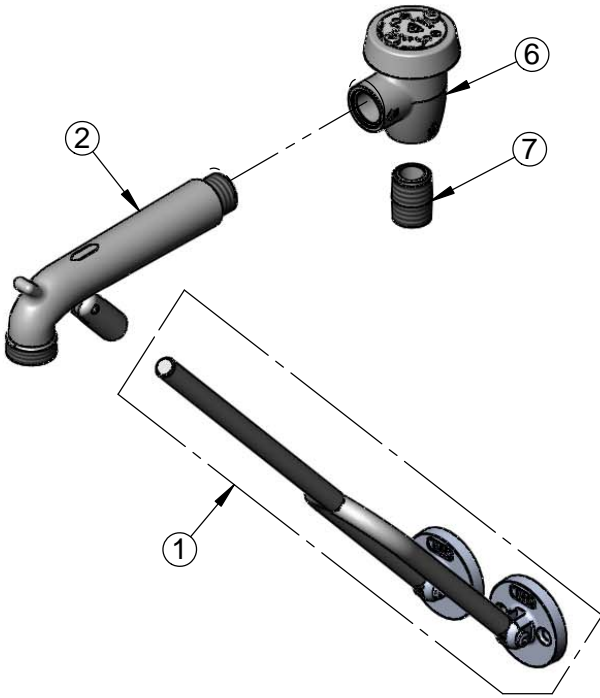


T&S BRASS AND BRONZE WORKS, INC.
 2 Saddleback Cove / P.O. Box 1088
 Travelers Rest, SC 29690

Model No.
B-0656-POL

Item No.

Travelers Rest, SC: 800-476-4103 • Simi Valley, CA: 800-423-0150 • Fax: 864-834-3518 • www.tsbrass.com



ITEM NO.	SALES NO.	DESCRIPTION
1	009616-40	Lower Support Rod Assembly w/ Mounting Screws
2	016450-40	Spout w/ Lower Clevis
3	001661-45	Red Index-HW
4	002712-40	Quarter-Turn Eterna Cartridge, RTC w/ Spring Check, Handle, Index & Screw
5	012443-40	Quarter-Turn Eterna Cartridge, RTC w/ Spring Check
6	B-0969	1/2" NPT Vacuum Breaker
7	002534-25	Close Nipple, 1/2" NPT
8	000922-45	Lever Handle Screw
9	001660-45	Blue Index-CW
10	001638-45	Lever Handle
11	012442-40	Quarter-Turn Eterna Cartridge, LTC w/ Spring Check
12	002711-40	Quarter-Turn Eterna Cartridge, LTC w/ Spring Check, Handle, Index & Screw
13	002432-45	Screw, Tee Handle
14	001802-45	Handle, Supply Stop "T"
15	001605-45	Cap
16	002892-40	Spindle Assembly w/ Cap
17	000763-20	Seat
18	00JJ-XT	1/2" NPT Female Inlet Assembly w/ Integral Stop & Extension
19	000611-25	Extension, 1 3/4" Long
20	000721-25	Flange Coupling Nut
21	001019-45	Coupling Nut Washer

Product Specifications:

8" Wall Mount Service Sink, Quarter-Turn Eterna Cartridges w/ Spring Checks, Polish Chrome Finish, Lever Handles, Lower Support Rod, 1/2" NPT Extended Inlets w/ Integral Stops, Garden Hose Male Outlet & 1/2" Vacuum Breaker

Product Compliance:

ASME A112.18.1 / CSA B125.1
 NSF 61 - Section 9
 NSF 372 (Low Lead Content)
 ASSE 1001 (VB)
 ANSI A117.1 (ADA)