



T&S BRASS AND BRONZE WORKS, INC.

2 Saddleback Cove / P.O. Box 1088
Travelers Rest, SC 29690

Model No.

B-0655-04

Item No.

Travelers Rest, SC: 800-476-4103 • Simi Valley, CA: 800-423-0150 • Fax: 864-834-3518 • www.tsbrass.com

This Space for Architect/Engineer Approval

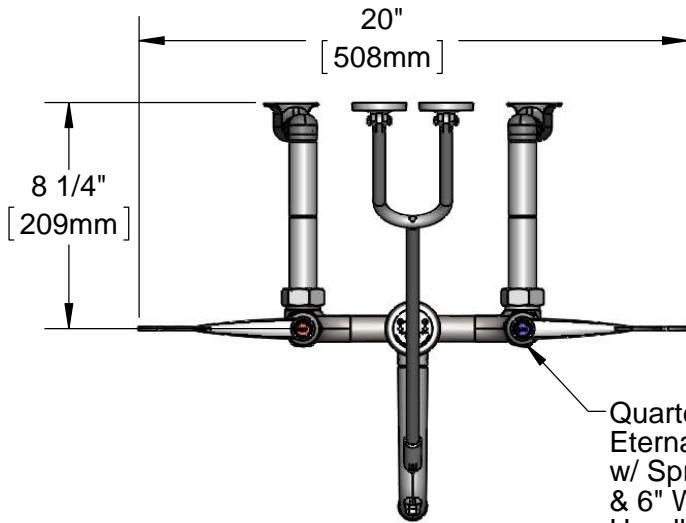
Job Name _____ Date _____

Model Specified _____ Quantity _____

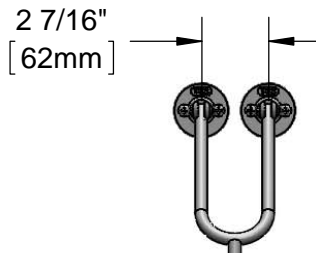
Customer/Wholesaler _____

Contractor _____

Architect/Engineer _____



Quarter-Turn Eterna Cartridges w/ Spring Checks & 6" Wrist Action Handle w/ Color Coded Indexes

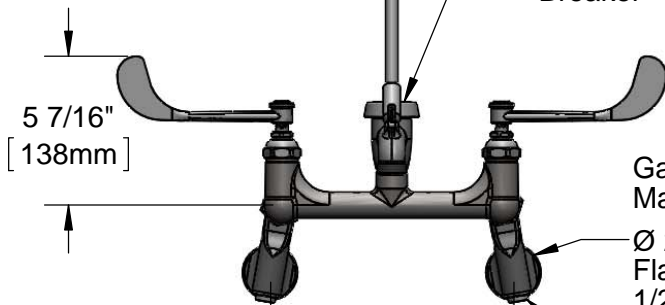


B-0969 1/2" NPT Vacuum Breaker



Upper Wall Support Rod w/ Mounting Screws

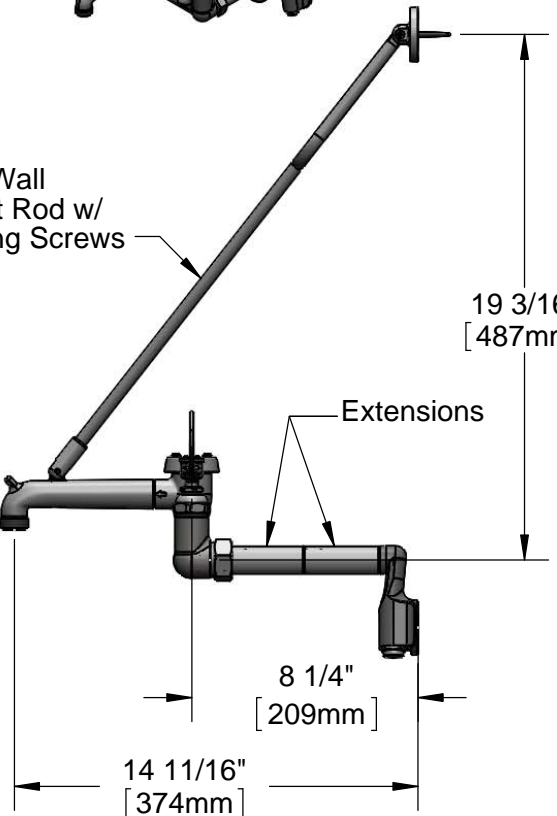
19 3/16" [487mm]



Garden Hose Male Outlet
Ø 2" [51mm] Flanges w/ 1/2" NPT Female Inlets

Inlets Adjustable From 3 1/4" [83mm] to 12 3/4" [324mm] Below or Above Centerline

Built-In Screwdriver Service Stop



Extensions

Product Specifications:

Adjustable Wall Mount Service Sink Mixing Faucet, Polished Chrome Finish, Quarter-Turn Eterna Cartridges w/ Spring Checks, 6" Wrist Action Handles, 1/2" NPT Vacuum Breaker, Upper Support Rod, Garden Hose Male Outlet & 1/2" NPT Extended Adjustable Inlets

Product Compliance:

ASME A112.18.1 / CSA B125.1
NSF 61 - Section 9
NSF 372 (Low Lead Content)
ANSI A117.1 (ADA)
ASSE 1001 (VB)



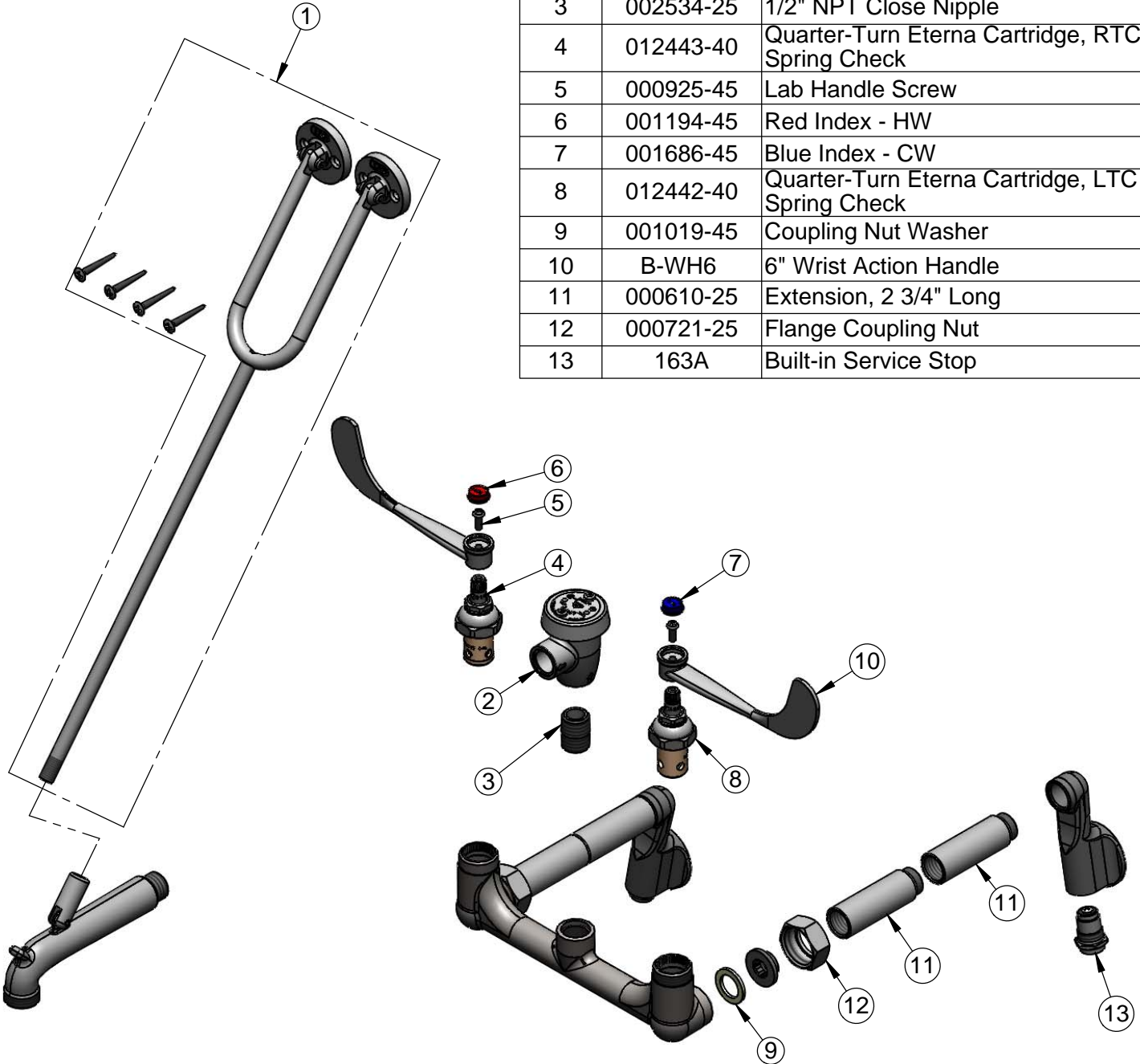
T&S BRASS AND BRONZE WORKS, INC.
 2 Saddleback Cove / P.O. Box 1088
 Travelers Rest, SC 29690

Model No.
B-0655-04

Item No.

Travelers Rest, SC: 800-476-4103 • Simi Valley, CA: 800-423-0150 • Fax: 864-834-3518 • www.tsbrass.com

ITEM NO.	SALES NO.	DESCRIPTION
1	015476-40	Lower Support Rod w/ Mounting Screws
2	B-0969	1/2" NPT Vacuum Breaker
3	002534-25	1/2" NPT Close Nipple
4	012443-40	Quarter-Turn Eterna Cartridge, RTC w/ Spring Check
5	000925-45	Lab Handle Screw
6	001194-45	Red Index - HW
7	001686-45	Blue Index - CW
8	012442-40	Quarter-Turn Eterna Cartridge, LTC w/ Spring Check
9	001019-45	Coupling Nut Washer
10	B-WH6	6" Wrist Action Handle
11	000610-25	Extension, 2 3/4" Long
12	000721-25	Flange Coupling Nut
13	163A	Built-in Service Stop



Product Specifications:

Adjustable Wall Mount Service Sink Mixing Faucet, Polished Chrome Finish, Quarter-Turn Eterna Cartridges w/ Spring Checks, 6" Wrist Action Handles, 1/2" NPT Vacuum Breaker, Upper Support Rod, Garden Hose Male Outlet & 1/2" NPT Extended Adjustable Inlets

Product Compliance:

ASME A112.18.1 / CSA B125.1
 NSF 61 - Section 9
 NSF 372 (Low Lead Content)
 ANSI A117.1 (ADA)
 ASSE 1001 (VB)