



T&S BRASS AND BRONZE WORKS, INC.
 2 Saddleback Cove / P.O. Box 1088
 Travelers Rest, SC 29690

Model No.
B-0613

Item No.

Travelers Rest, SC: 800-476-4103 • Simi Valley, CA: 800-423-0150 • Fax: 864-834-3518 • www.tsbrass.com

This Space for Architect/Engineer Approval

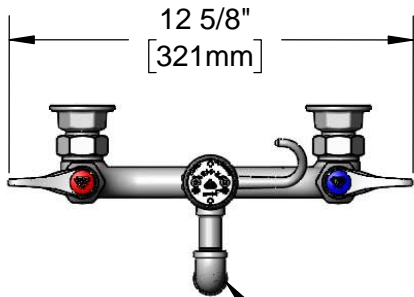
Job Name _____ Date _____

Model Specified _____ Quantity _____

Customer/Wholesaler _____

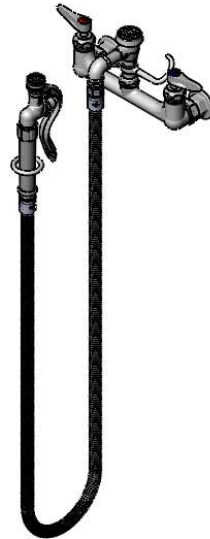
Contractor _____

Architect/Engineer _____



12 5/8"
[321mm]

Items Not
Shown For
Clarity



B-1428
Quick-Connect
0.65 GPM
Fan Jet Nozzle
(EPAct 2005 Compliant)



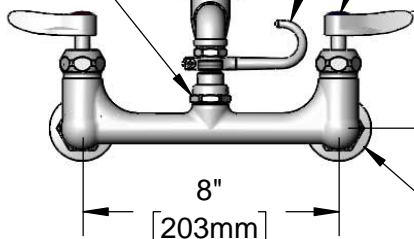
B-1424
Quick-Connect
Hook Nozzle
(EPAct 2005 Non-Compliant)

B-0968
3/8" NPT
Vacuum Breaker

EasyInstall
Lock Nut &
Bushing

Finger
Hook

Quarter-Turn Cerama
Cartridges w/ Check
Valves & Lever Handles
w/ Color Coded Indexes



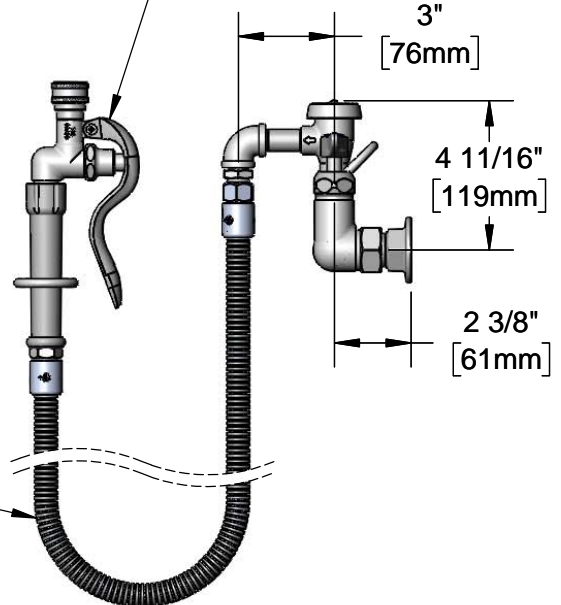
3 11/16"
[93mm]

8"
[203mm]
Adjustable From
7 3/4" to 8 1/4"
[197mm to 210mm]

Ø 2" [51mm]
Flanges w/
1/2" NPT
Female Inlets

68" Flexible
Stainless Steel Hose

B-1420
Quick Connect Socket
& Squeeze Valve



3"
[76mm]

4 11/16"
[119mm]

2 3/8"
[61mm]

Product Specifications:

Kettle & Pot Filler Wall Mount Faucet, Quarter-Turn Cerama Cartridges w/ Check Valves, Lever Handles, 3/8" NPT Vacuum Breaker, 68" Flexible Stainless Steel Hose, Quick-Connect Squeeze Valve, Quick Connect Hook Nozzle, Quick Connect 0.65 GPM Fan Jet Nozzle & 1/2" NPT Female Inlets

Product Compliance:

ASME A112.18.1 / CSA B125.1
 NSF 61 - Section 9
 NSF 372 (Low Lead Content)
 ASSE 1001 (VB)
 EPAct 2005 (PRSV)



T&S BRASS AND BRONZE WORKS, INC.

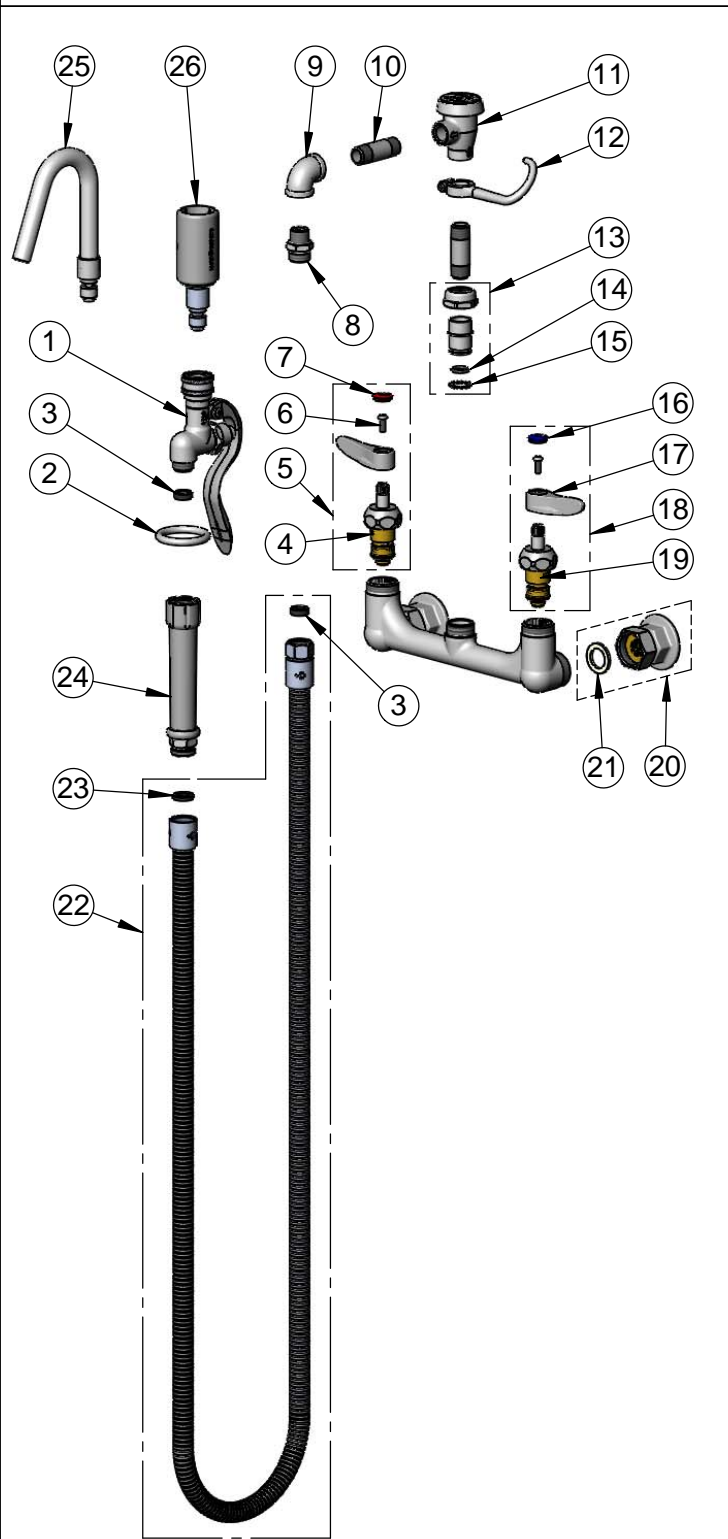
2 Saddleback Cove / P.O. Box 1088
Travelers Rest, SC 29690

Model No.

B-0613

Item No.

Travelers Rest, SC: 800-476-4103 • Simi Valley, CA: 800-423-0150 • Fax: 864-834-3518 • www.tsbrass.com



| ITEM NO. | SALES NO. | DESCRIPTION |
|----------|-------------|---|
| 1 | B-1420 | Quick Connect Spray Valve |
| 2 | 000907-45 | Spray Valve Hold Down Ring |
| 3 | 010476-45 | #27 Washer |
| 4 | 012394-25NS | Quarter-Turn Cerama Cartridge w/ Check Valve, RTC |
| 5 | 012446-25NS | Quarter-Turn Cerama Cartridge w/ Check Valve, Handle, Red Index & Screw, RTC |
| 6 | 000925-45 | Lab Handle Screw |
| 7 | 001193-19NS | Red Button Index, Press-in |
| 8 | 053A | Adapter, 3/8" NPT Male |
| 9 | 001355-40 | Elbow, 3/8 NPT |
| 10 | 000357-40 | Nipple, 3/8" NPT x 2" |
| 11 | B-0968 | 3/8" NPT Vacuum Breaker |
| 12 | 004R | Finger Hook |
| 13 | EZ-K | EasyInstall Kit |
| 14 | 001065-45 | O-ring |
| 15 | 014200-45 | Star Washer, Anti-Rotation |
| 16 | 018506-19NS | Blue Button Index, Press-in |
| 17 | 001638-45NS | Lever Handle (New Style) |
| 18 | 012447-25NS | Quarter-Turn Cerama Cartridge w/ Check Valve, Handle, Blue Index & Screw, LTC |
| 19 | 012395-25NS | Quarter-Turn Cerama Cartridge w/ Check Valve, LTC |
| 20 | 00AA | 1/2" NPT Female Eccentric Flange |
| 21 | 001019-45 | Coupling Nut Washer |
| 22 | B-0068-H2A | 68" Flexible Stainless Steel Hose, Less Handle |
| 23 | 001014-45 | Washer, B-0100 Hose Barrel |
| 24 | 002987-40 | Grip Handle |
| 25 | B-1424 | Quick-Connect Hook Nozzle |
| 26 | B-1428 | Quick-Connect 0.65 GPM Fan Jet Nozzle |

Product Specifications:

Kettle & Pot Filler Wall Mount Faucet, Quarter-Turn Cerama Cartridges w/ Check Valves, Lever Handles, 3/8" NPT Vacuum Breaker, 68" Flexible Stainless Steel Hose, Quick-Connect Squeeze Valve, Quick Connect Hook Nozzle, Quick Connect 0.65 GPM Fan Jet Nozzle & 1/2" NPT Female Inlets

Product Compliance:

ASME A112.18.1 / CSA B125.1
NSF 61 - Section 9
NSF 372 (Low Lead Content)
ASSE 1001 (VB)
EPA Act 2005 (PRSV)