



T&S BRASS AND BRONZE WORKS, INC.

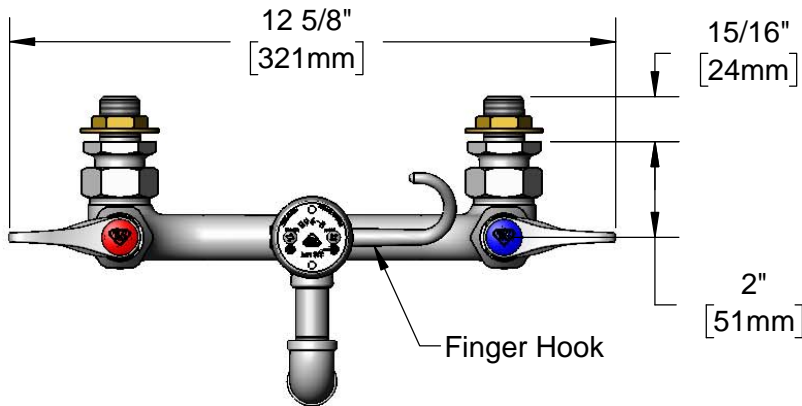
2 Saddleback Cove / P.O. Box 1088
Travelers Rest, SC 29690

Model No.

B-0610-CC-H108

Item No.

Travelers Rest, SC: 800-476-4103 • Simi Valley, CA: 800-423-0150 • Fax: 864-834-3518 • www.tsbrass.com



This Space for Architect/Engineer Approval

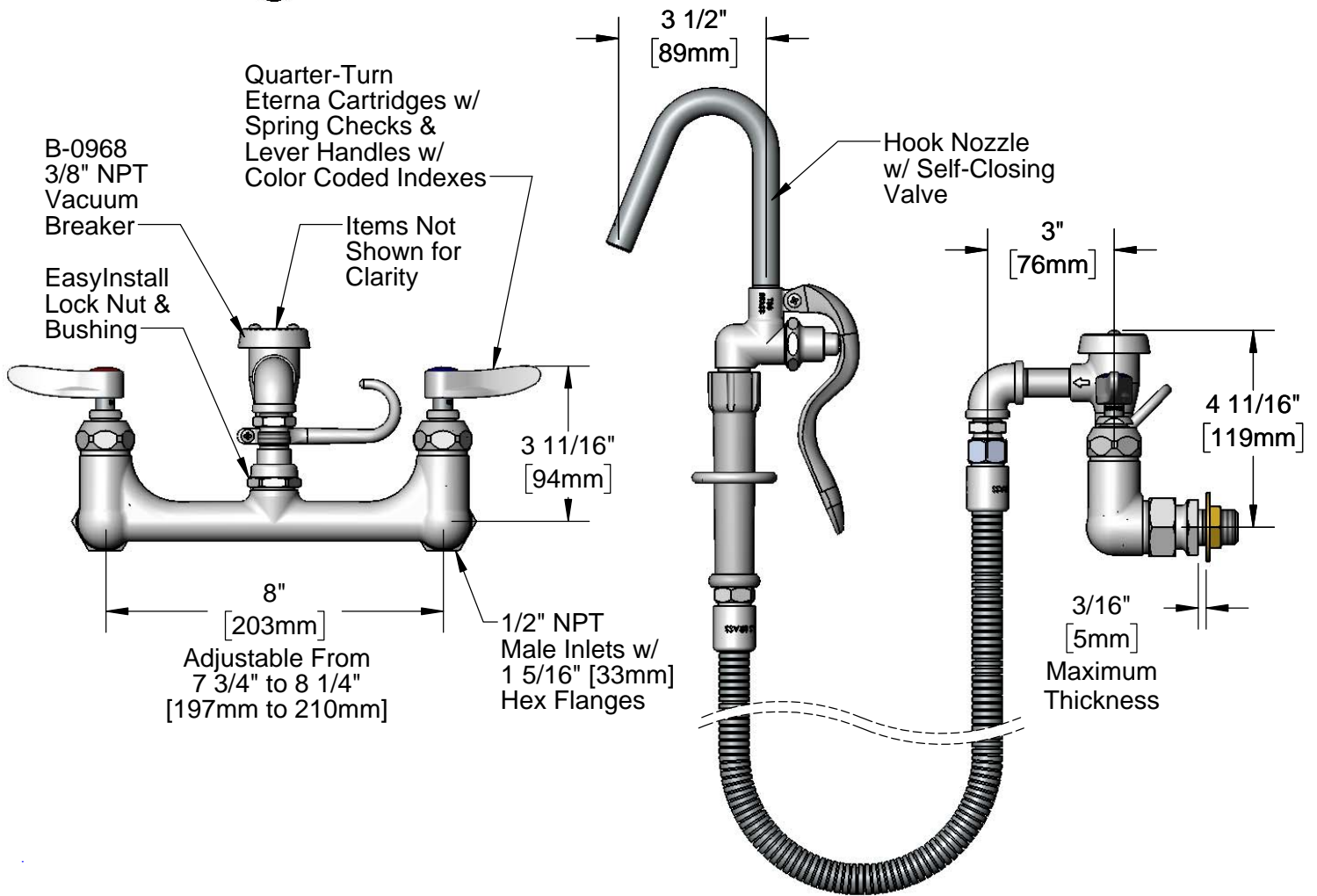
Job Name _____ Date _____

Model Specified _____ Quantity _____

Customer/Wholesaler _____

Contractor _____

Architect/Engineer _____



Product Specifications:

Kettle & Pot Filler Wall Mount Faucet, Quarter-Turn Eterna Cartridges w/ Spring Checks, Lever Handles, 3/8" NPT Vacuum Breaker, 108" Flexible Stainless Steel Hose, Hook Nozzle & 1/2" NPT Male Inlets

Product Compliance:

ASME A112.18.1 / CSA B125.1
NSF 61 - Section 9
NSF 372 (Low Lead Content)
ASSE 1001 (VB)
EPA Act 2005 Non-Compliant (PRSV)



T&S BRASS AND BRONZE WORKS, INC.

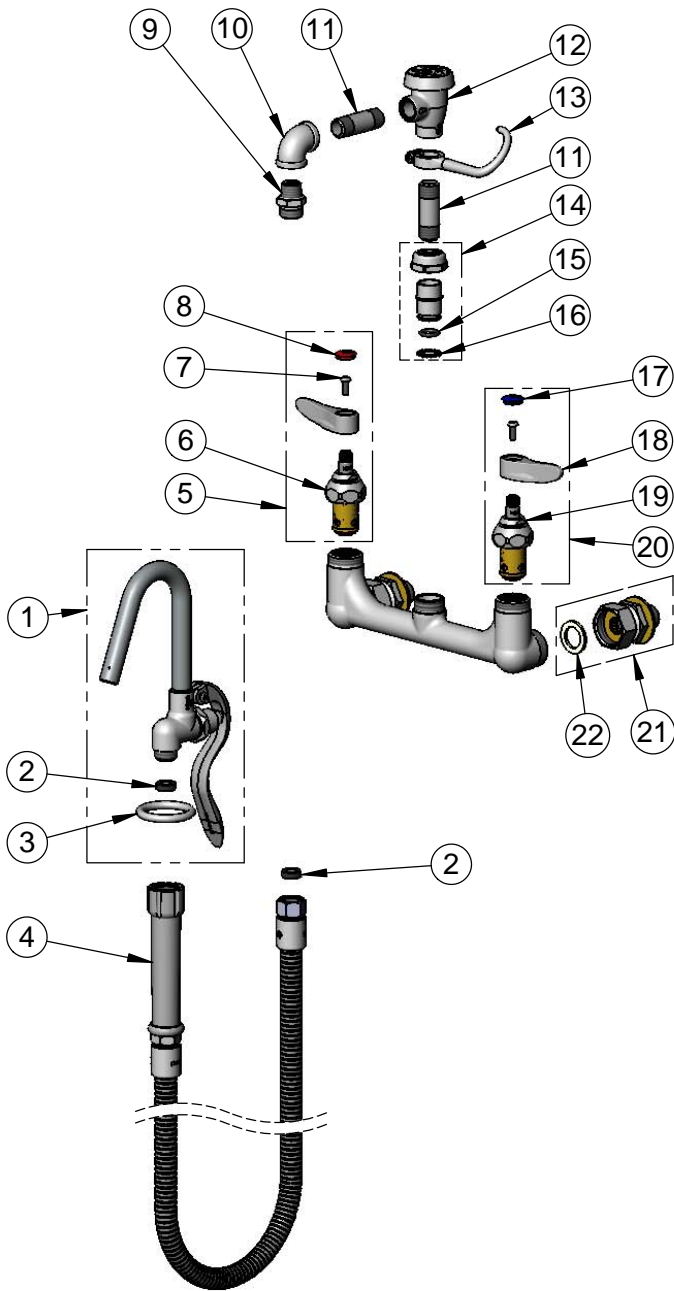
2 Saddleback Cove / P.O. Box 1088
Travelers Rest, SC 29690

Model No.

B-0610-CC-H108

Item No.

Travelers Rest, SC: 800-476-4103 • Simi Valley, CA: 800-423-0150 • Fax: 864-834-3518 • www.tsbrass.com



ITEM NO.	SALES NO.	DESCRIPTION
1	002851-40	Hook Nozzle & Spray Valve
2	010476-45	#27 Washer
3	000907-45	Spray Valve Hold Down Ring
4	B-0108-HOSE	108" Flexible Stainless Steel Hose w/ Grip Handle
5	002712-40NS	Quarter-Turn Eterna Cartridge w/ Spring Check, Handle, Red Index & Screw, RTC
6	012443-40NS	Quarter-Turn Eterna Cartridge w/ Spring Check, RTC
7	000925-45	Lab Handle Screw
8	001193-19NS	Red Button Index, Press-in
9	053A	Adapter, 3/8" NPT Male
10	001355-40	Elbow, 3/8 NPT
11	000357-40	Nipple, 3/8" NPT x 2"
12	B-0968	3/8" NPT Vacuum Breaker
13	004R	Finger Hook
14	EZ-K	EasyInstall Kit
15	001065-45	O-ring
16	014200-45	Star Washer, Anti-Rotation
17	018506-19NS	Blue Button Index, Press-in
18	001638-45NS	Lever Handle (New Style)
19	012442-40NS	Quarter-Turn Eterna Cartridge w/ Spring Check, LTC
20	002711-40NS	Quarter-Turn Eterna Cartridge w/ Spring Check, Handle, Blue Index & Screw, LTC
21	00CC	1/2" NPT Male Inlet Flange
22	001019-45	Coupling Nut Washer

Product Specifications:

Kettle & Pot Filler Wall Mount Faucet, Quarter-Turn Eterna Cartridges w/ Spring Checks, Lever Handles, 3/8" NPT Vacuum Breaker, 108" Flexible Stainless Steel Hose, Hook Nozzle & 1/2" NPT Male Inlets

Product Compliance:

ASME A112.18.1 / CSA B125.1
NSF 61 - Section 9
NSF 372 (Low Lead Content)
ASSE 1001 (VB)
EPA Act 2005 Non-Compliant (PRSV)