



T&S BRASS AND BRONZE WORKS, INC.

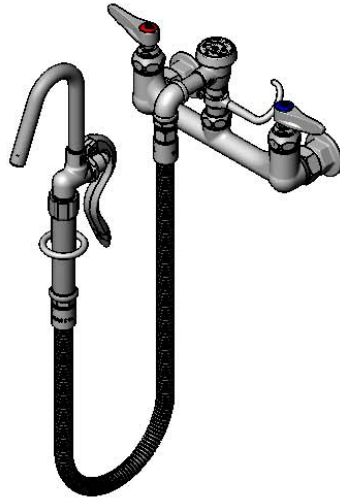
2 Saddleback Cove / P.O. Box 1088
Travelers Rest, SC 29690

Model No.

B-0610-36H

Item No.

Travelers Rest, SC: 800-476-4103 • Simi Valley, CA: 800-423-0150 • Fax: 864-834-3518 • www.tsbrass.com



This Space for Architect/Engineer Approval

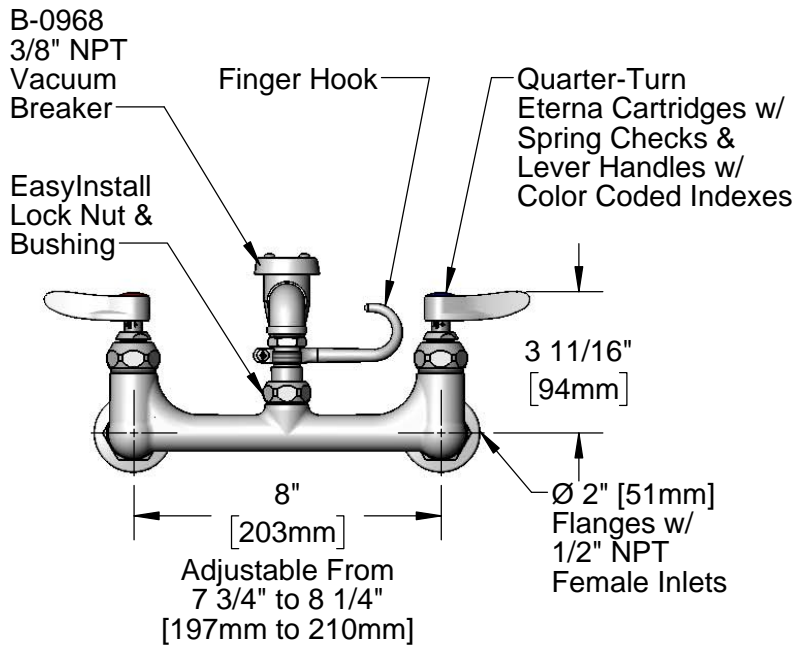
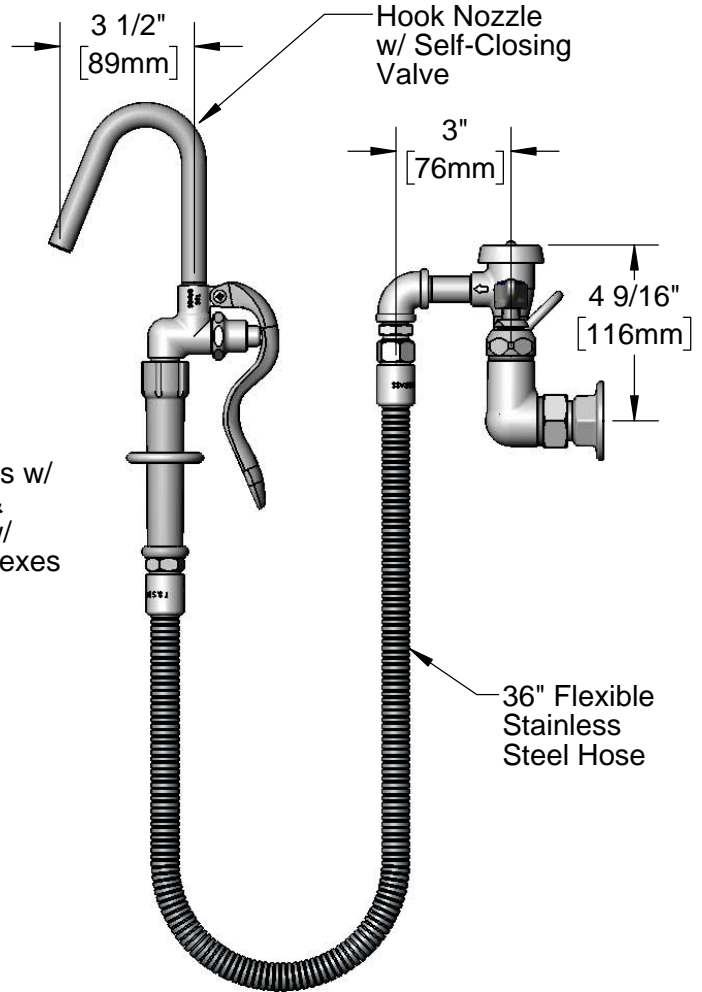
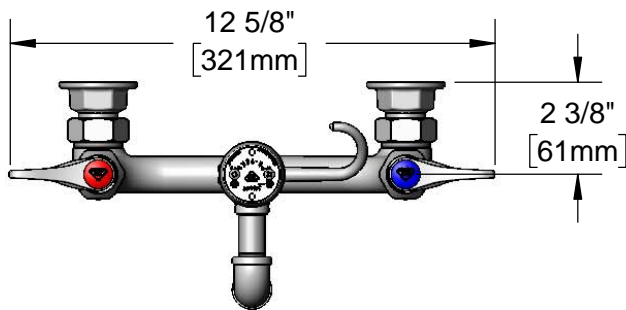
Job Name _____ Date _____

Model Specified _____ Quantity _____

Customer/Wholesaler _____

Contractor _____

Architect/Engineer _____



Product Specifications:

Kettle & Pot Filler Wall Mount Faucet, Quarter-Turn Eterna Cartridges w/ Spring Checks, Lever Handles, 3/8" NPT Vacuum Breaker, 36" Flexible Stainless Steel Hose, Hook Nozzle & 1/2" NPT Female Inlets

Product Compliance:

ASME A112.18.1 / CSA B125.1
NSF 61 - Section 9
NSF 372 (Low Lead Content)
ASSE 1001 (VB)
EPA Act 2005 Non-Compliant (PRSV)



T&S BRASS AND BRONZE WORKS, INC.

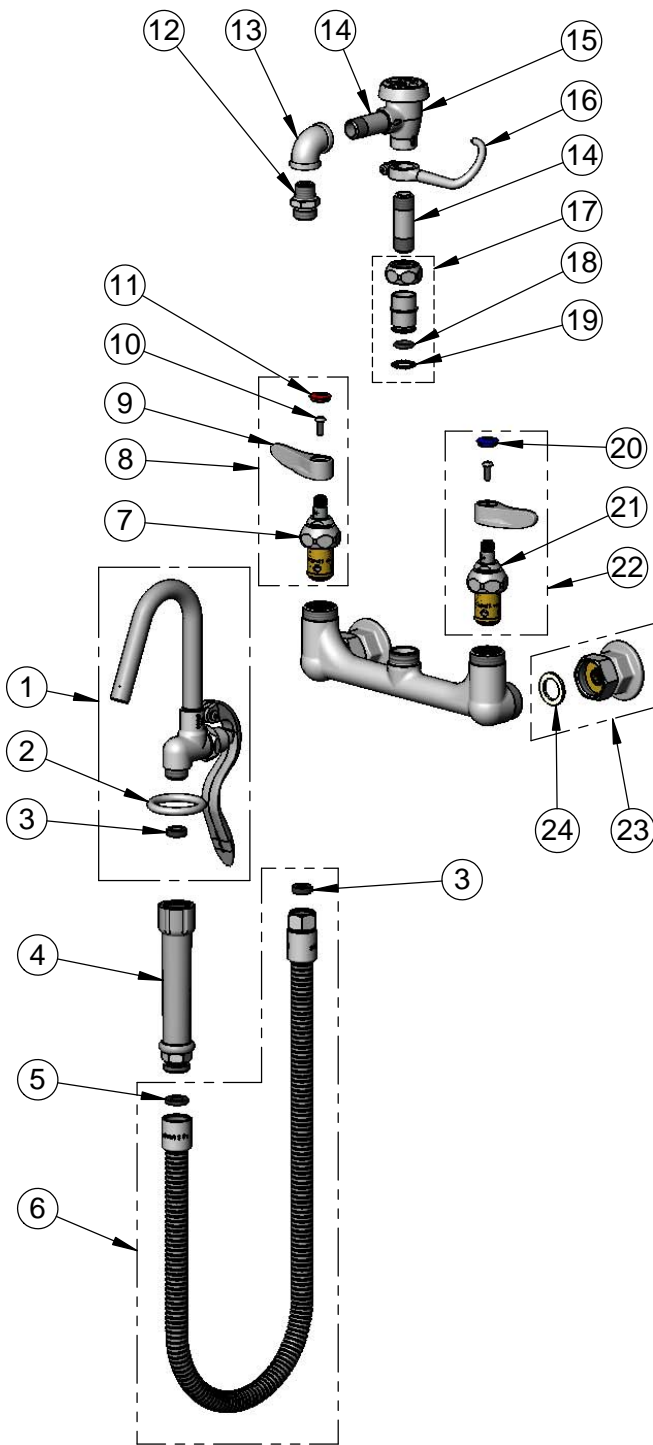
2 Saddleback Cove / P.O. Box 1088
Travelers Rest, SC 29690

Model No.

B-0610-36H

Item No.

Travelers Rest, SC: 800-476-4103 • Simi Valley, CA: 800-423-0150 • Fax: 864-834-3518 • www.tsbrass.com



ITEM NO.	SALES NO.	DESCRIPTION
1	002851-40	Hook Nozzle & Spray Valve
2	000907-45	Spray Valve Hold Down Ring
3	010476-45	#27 Washer
4	002987-40	Grip Handle
5	001014-45	Washer, B-0100 Hose Barrel
6	B-0036-H2A	36" Flexible Stainless Steel Hose, Less Handle
7	012443-40NS	Quarter-Turn Eterna Cartridge w/ Spring Check, RTC
8	002712-40NS	Quarter-Turn Eterna Cartridge w/ Spring Check, Handle, Red Index & Screw, RTC
9	001638-45NS	Lever Handle (New Style)
10	000925-45	Lab Handle Screw
11	001193-19NS	Red Button Index, Press-in
12	053A	Adapter, 3/8" NPT Male
13	001355-40	Elbow, 3/8" NPT
14	000357-40	Nipple, 3/8" NPT x 2"
15	B-0968	3/8" NPT Vacuum Breaker
16	004R	Finger Hook
17	EZ-K	EasyInstall Kit
18	001065-45	O-ring
19	014200-45	Star Washer, Anti-Rotation
20	018506-19NS	Blue Button Index, Press-in
21	012442-40NS	Quarter-Turn Eterna Cartridge w/ Spring Check, LTC
22	002711-40NS	Quarter-Turn Eterna Cartridge w/ Spring Check, Handle, Blue Index & Screw, LTC
23	00AA	1/2" NPT Female Eccentric Flange
24	001019-45	Coupling Nut Washer

Product Specifications:

Kettle & Pot Filler Wall Mount Faucet, Quarter-Turn Eterna Cartridges w/ Spring Checks, Lever Handles, 3/8" NPT Vacuum Breaker, 36" Flexible Stainless Steel Hose, Hook Nozzle & 1/2" NPT Female Inlets

Product Compliance:

ASME A112.18.1 / CSA B125.1
NSF 61 - Section 9
NSF 372 (Low Lead Content)
ASSE 1001 (VB)
EPA Act 2005 Non-Compliant (PRSV)