



# T&S BRASS AND BRONZE WORKS, INC.

2 Saddleback Cove / P.O. Box 1088  
Travelers Rest, SC 29690

Model No.

**B-0606**

Item No.

Travelers Rest, SC: 800-476-4103 • Simi Valley, CA: 800-423-0150 • Fax: 864-834-3518 • www.tsbrass.com

This Space for Architect/Engineer Approval

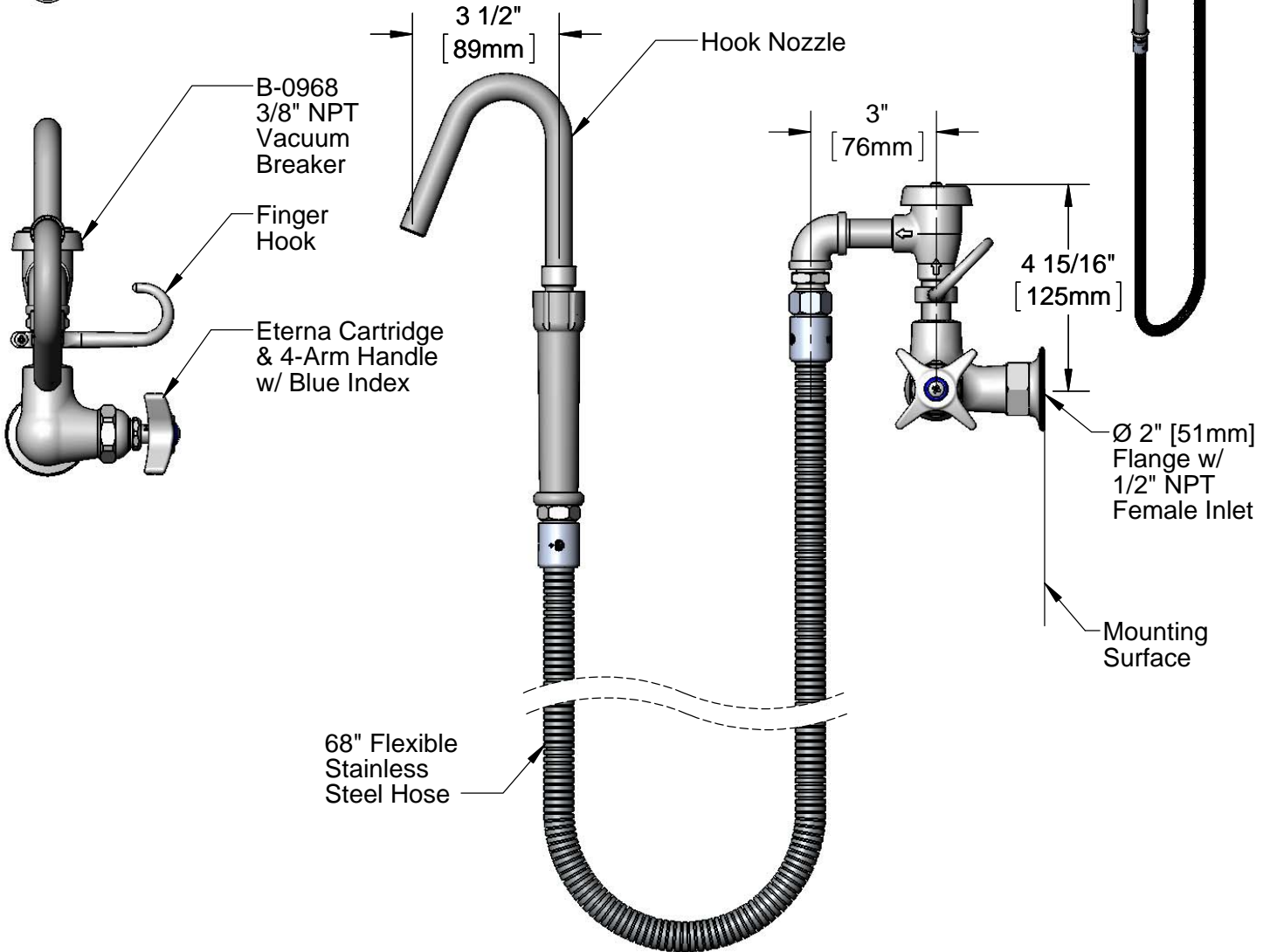
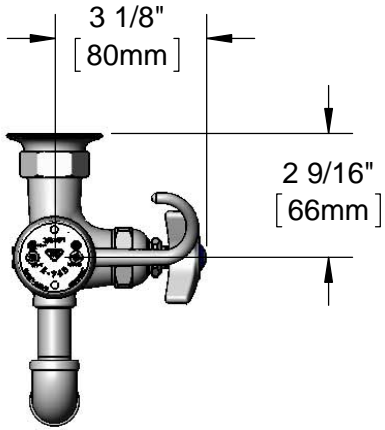
Job Name \_\_\_\_\_ Date \_\_\_\_\_

Model Specified \_\_\_\_\_ Quantity \_\_\_\_\_

Customer/Wholesaler \_\_\_\_\_

Contractor \_\_\_\_\_

Architect/Engineer \_\_\_\_\_



**Product Specifications:**

Kettle & Pot Filler Wall Mount Faucet, Eterna Cartridge, 3/8" NPT Vacuum Breaker, 4-Arm Handle, 68" Flexible Stainless Steel Hose, Hook Nozzle & 1/2" NPT Female Inlet

**Product Compliance:**

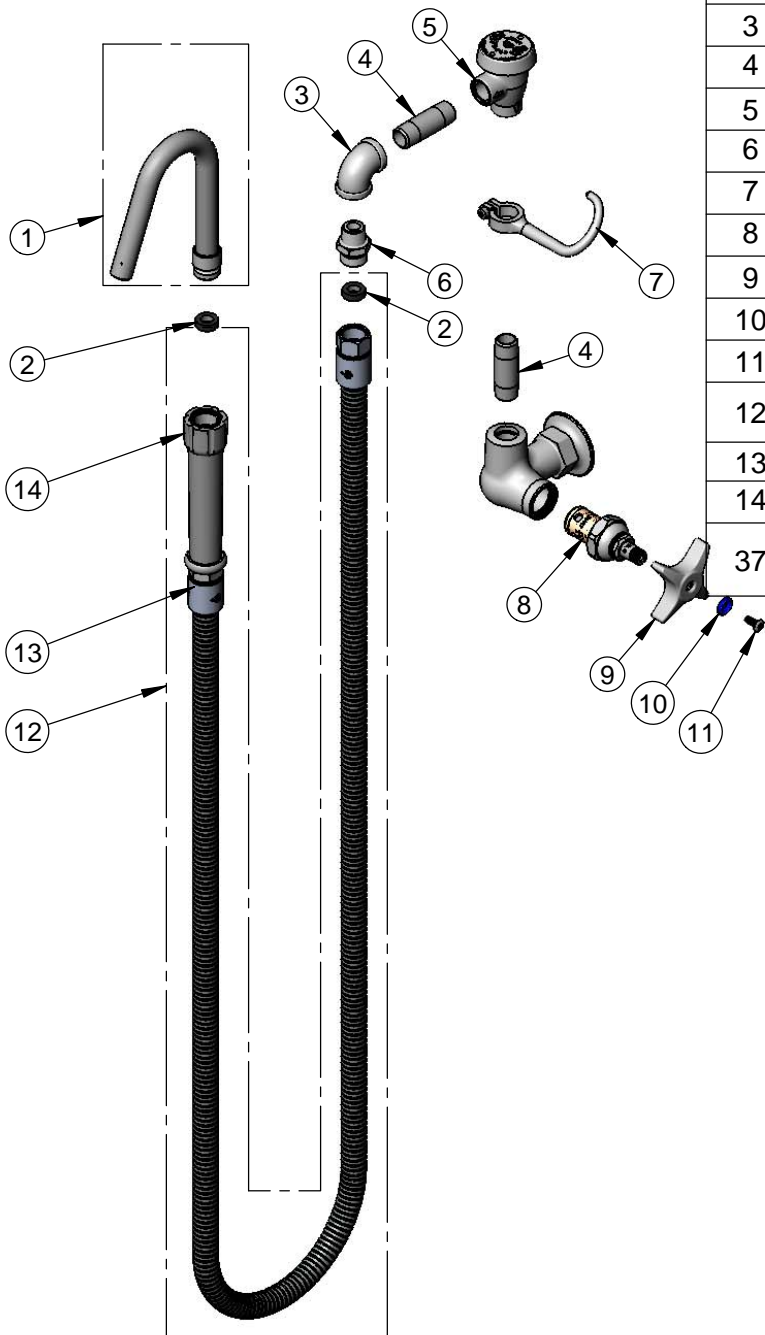
ASME A112.18.1 / CSA B125.1  
NSF 61 - Section 9  
NSF 372 (Low Lead Content)  
ASSE 1001 (VB)



**T&S BRASS AND BRONZE WORKS, INC.**  
 2 Saddleback Cove / P.O. Box 1088  
 Travelers Rest, SC 29690

Model No.  
**B-0606**  
 Item No.

Travelers Rest, SC: 800-476-4103 • Simi Valley, CA: 800-423-0150 • Fax: 864-834-3518 • www.tsbrass.com



ITEM NO.	SALES NO.	DESCRIPTION
1	002860-40	Hook Nozzle
2	010476-45	#27 Washer
3	001355-40	3/8" NPT Elbow
4	000357-40	Nipple, 3/8" NPT x 2"
5	B-0968	3/8" NPT Vacuum Breaker
6	053A	Adapter, 3/8" NPT Male
7	004R	Finger Hook
8	005960-40	Eterna Cartridge, RTC
9	002521-45	4-Arm Handle
10	001660-45	Blue Index-CW
11	000922-45	Lever Handle Screw
12	B-0068-H	68" Flexible Stainless Steel Hose w/ Handle
13	001014-45	Washer, B-0100 Hose Barrel
14	002987-40	Grip Handle
37		Flexible Stainless Steel Hose

Product Specifications:  
 Kettle & Pot Filler Wall Mount Faucet, Eterna Cartridge, 3/8" NPT Vacuum Breaker, 4-Arm Handle, 68" Flexible Stainless Steel Hose, Hook Nozzle & 1/2" NPT Female Inlet

Product Compliance:  
 ASME A112.18.1 / CSA B125.1  
 NSF 61 - Section 9  
 NSF 372 (Low Lead Content)  
 ASSE 1001 (VB)