



T&S BRASS AND BRONZE WORKS, INC.
 2 Saddleback Cove / P.O. Box 1088
 Travelers Rest, SC 29690

Model No.
B-0605-CR-EK

Item No.

Travelers Rest, SC: 800-476-4103 • Simi Valley, CA: 800-423-0150 • Fax: 864-834-3518 • www.tsbrass.com

This Space for Architect/Engineer Approval

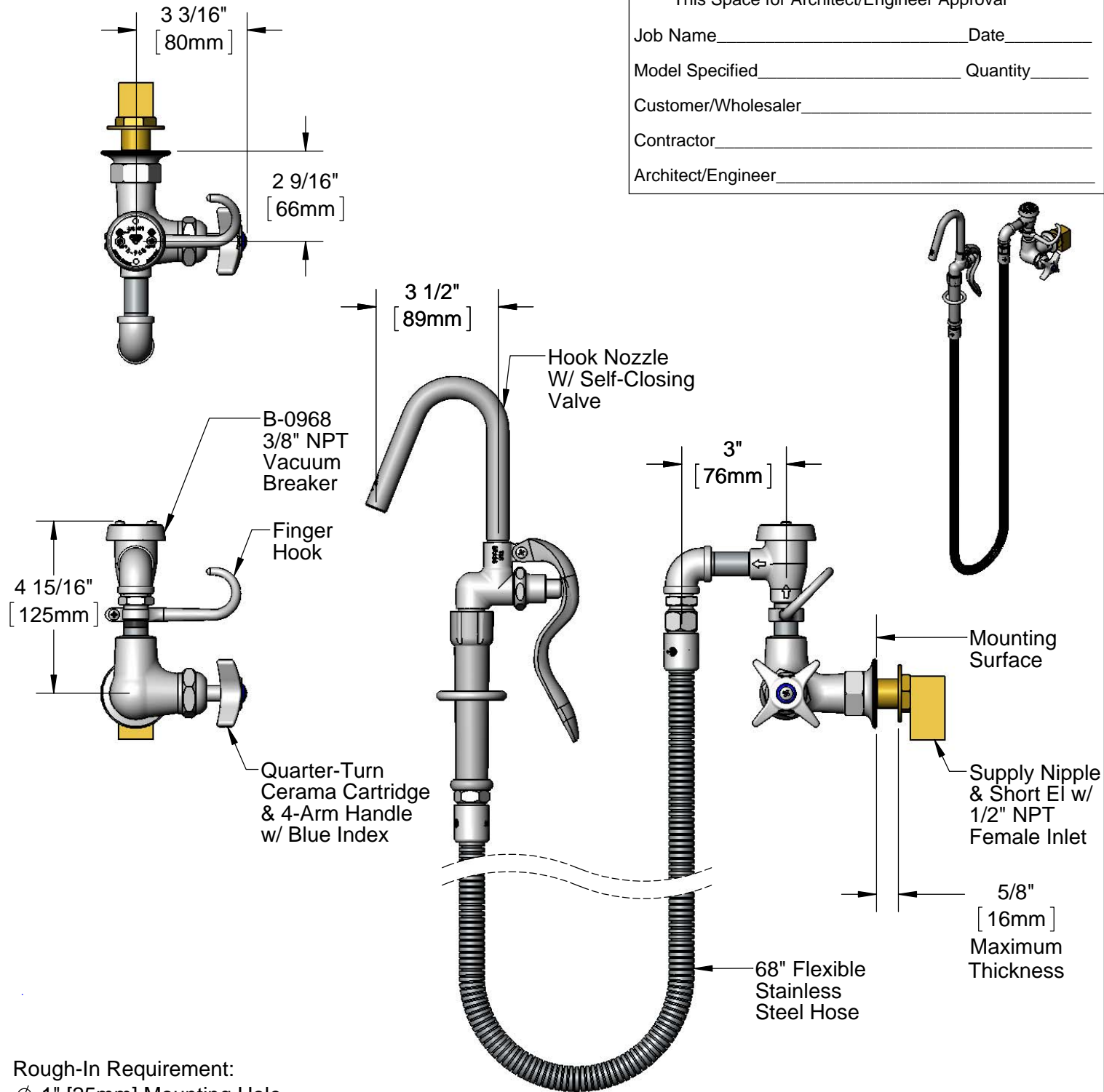
Job Name _____ Date _____

Model Specified _____ Quantity _____

Customer/Wholesaler _____

Contractor _____

Architect/Engineer _____



Rough-In Requirement:
 ∅ 1" [25mm] Mounting Hole

Product Specifications:
 Kettle & Pot Filler Wall Mount Faucet, Quarter-Turn Cerama Cartridge, 3/8" NPT Vacuum Breaker, 4-Arm Handle, 68" Flexible Stainless Steel Hose, Hook Nozzle & 1/2" NPT Female Inlet

Product Compliance:
 ASME A112.18.1 / CSA B125.1
 NSF 61 - Section 9
 NSF 372 (Low Lead Content)
 ASSE 1001



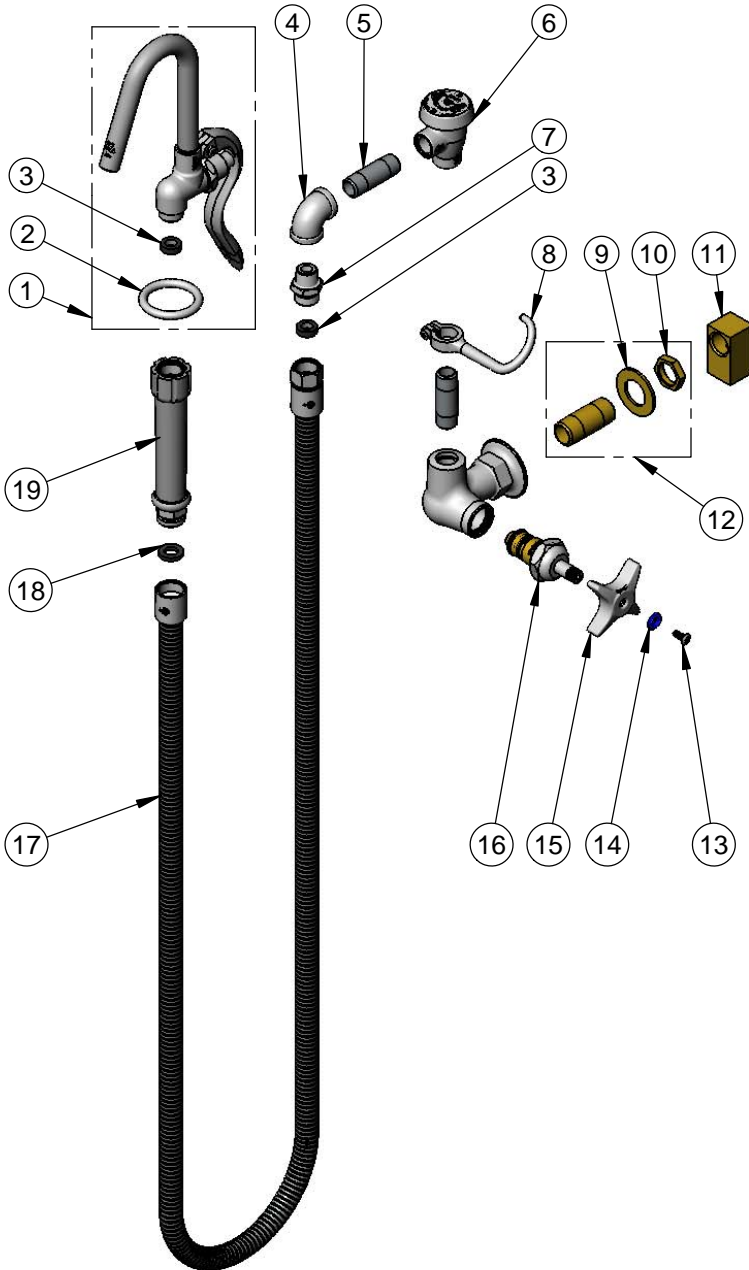
T&S BRASS AND BRONZE WORKS, INC.
 2 Saddleback Cove / P.O. Box 1088
 Travelers Rest, SC 29690

Model No.
B-0605-CR-EK

Item No.

Travelers Rest, SC: 800-476-4103 • Simi Valley, CA: 800-423-0150 • Fax: 864-834-3518 • www.tsbrass.com

ITEM NO.	SALES NO.	DESCRIPTION
1	002851-40	Hook Nozzle w/ Self-Closing Valve
2	000907-45	Spray Valve Hold Down Ring
3	010476-45	#27 Washer
4	001355-40	Elbow, 3/8 NPT
5	000357-40	Nipple, 3/8" NPT x 2"
6	B-0968	Vacuum Breaker Asm, 3/8"
7	053A	Adapter, 3/8" NPT Male
8	004R	Finger Hook
9	000999-45	Brass Lock Washer
10	002954-45	Shank Lock Nut
11	006895-20	Short El, 1/2 NPT-F x 1/2 NPT-F
12	B-0425	1/2" NPT Supply Nipple Kit
13	000922-45	Lever Handle Screw
14	001660-45	Blue Index-CW
15	002521-45	4-Arm Handle
16	011278-25	Quarter-Turn Cerama Cartridge, RTC
17	B-0068-H2A	68" Flexible Stainless Steel Hose, Less Handle
18	001014-45	Washer, B-0100 Hose Barrel
19	002987-40	Grip Handle
52		Flexible Stainless Steel Hose



Product Specifications:
 Kettle & Pot Filler Wall Mount Faucet, Quarter-Turn Cerama Cartridge, 3/8" NPT Vacuum Breaker, 4-Arm Handle, 68" Flexible Stainless Steel Hose, Hook Nozzle & 1/2" NPT Female Inlet

Product Compliance:
 ASME A112.18.1 / CSA B125.1
 NSF 61 - Section 9
 NSF 372 (Low Lead Content)
 ASSE 1001