



# T&S BRASS AND BRONZE WORKS, INC.

2 Saddleback Cove / P.O. Box 1088  
Travelers Rest, SC 29690

Model No.

**B-0597-LF20**

Item No.

Travelers Rest, SC: 800-476-4103 • Simi Valley, CA: 800-423-0150 • Fax: 864-834-3518 • www.tsbrass.com

This Space for Architect/Engineer Approval

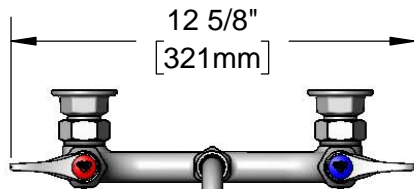
Job Name \_\_\_\_\_ Date \_\_\_\_\_

Model Specified \_\_\_\_\_ Quantity \_\_\_\_\_

Customer/Wholesaler \_\_\_\_\_

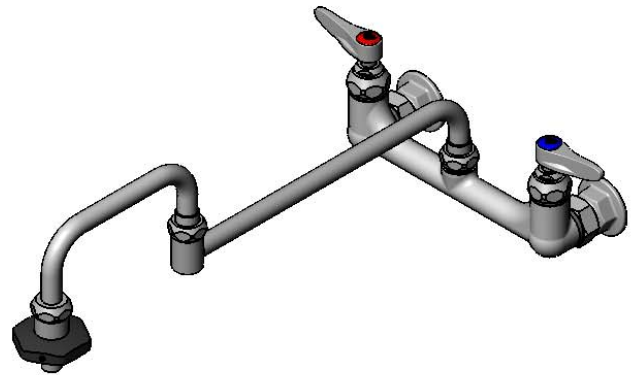
Contractor \_\_\_\_\_

Architect/Engineer \_\_\_\_\_



12 5/8"  
[321mm]

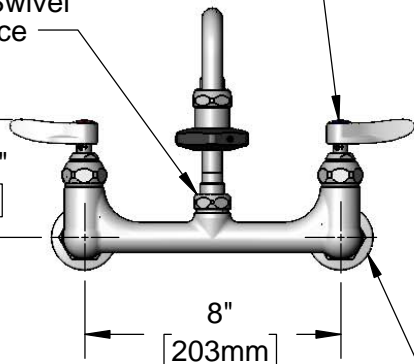
18" Double Joint  
Swing Nozzle  
w/ Heat Resistant  
"On-Off" Handle



Quarter-Turn Eterna  
Cartridges w/ Spring  
Checks & Lever Handles  
w/ Color Coded Indexes

2.2 GPM  
Flow Disc  
in Swivel  
Piece

3 11/16"  
[94mm]

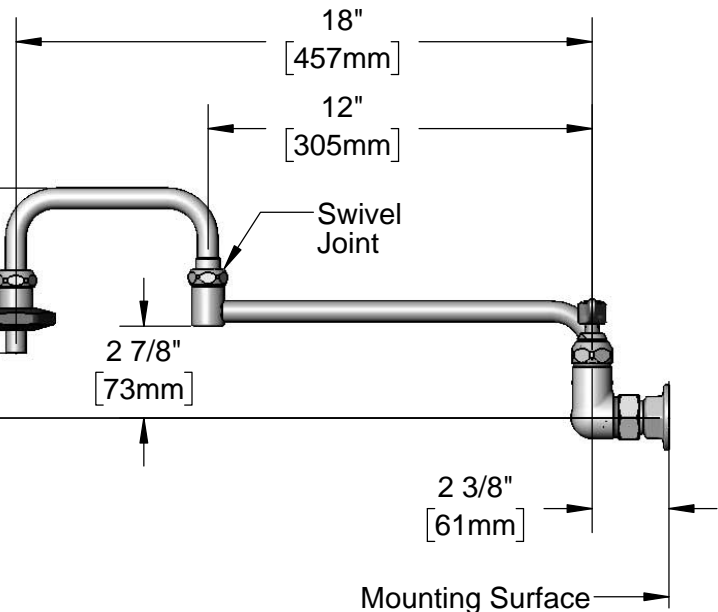


Adjustable From  
7 3/4" to 8 1/4"  
[197mm to 210mm]

7 3/16"  
[182mm]

2"  
[51mm]

Ø2" [51mm]  
Flanges w/  
1/2" NPT  
Female Inlets



Mounting Surface

**Product Specifications:**

8" Wall Mount Mixing Faucet, Quarter-Turn Eterna Cartridges w/ Spring Checks, Lever Handle, 18" Double Joint Swing Nozzle w/ Heat Resistant Handle & 2.2 GPM Flow Control Swivel Piece & 1/2" NPT Female Inlets

**Product Compliance:**

ASME A112.18.1 / CSA B125.1  
NSF 61 - Section 9  
NSF 372 (Low Lead Content)



# T&S BRASS AND BRONZE WORKS, INC.

2 Saddleback Cove / P.O. Box 1088  
Travelers Rest, SC 29690

Model No.

**B-0597-LF20**

Item No.

Travelers Rest, SC: 800-476-4103 • Simi Valley, CA: 800-423-0150 • Fax: 864-834-3518 • www.tsbrass.com

	ITEM NO.	SALES NO.	DESCRIPTION
	1	001126-20	Handle w/ (2) Set Screws
	2	035A	Outlet
	3	000587-25	Spout Body
	4	001498-25	Spout
	5	001089-45	Seal
	6	002870-40	6" Front Section
	7	002848-40	18" Double Joint Swing Nozzle w/ Heat Resistant Handle
	8	009538-45	Swivel Washer
	9	011429-45	Swivel Sleeves (2)
	10	001074-45	O-Ring
	11	018506-19NS	Blue Button Index, Press-in
	12	000925-45	Lab Handle Screw
	13	012447-25NS	Quarter-Turn Cerama Cartridge w/ Check Valve, Handle, Blue Index & Screw, LTC
	14	012395-25NS	Quarter-Turn Cerama Cartridge w/ Check Valve, LTC
	15	00AA	1/2" NPT Female Eccentric Flange
	16	001019-45	Coupling Nut Washer
	17	012446-25NS	Quarter-Turn Cerama Cartridge w/ Check Valve, Handle, Red Index & Screw, RTC
	18	012394-25NS	Quarter-Turn Cerama Cartridge w/ Check Valve, RTC
	19	001638-45NS	Lever Handle (New Style)
	20	001193-19NS	Red Button Index, Press-in
	21	002871-40	12" Back Section
	22	000936-45	Handle Set Screw
	23	FD22	Flow Disc, 2.2 GPM [8.3 L/min.] - Yellow

**Product Specifications:**  
8" Wall Mount Mixing Faucet, Quarter-Turn Eterna Cartridges w/ Spring Checks, Lever Handle, 18" Double Joint Swing Nozzle w/ Heat Resistant Handle & 2.2 GPM Flow Control Swivel Piece & 1/2" NPT Female Inlets

**Product Compliance:**  
ASME A112.18.1 / CSA B125.1  
NSF 61 - Section 9  
NSF 372 (Low Lead Content)