



T&S BRASS AND BRONZE WORKS, INC.

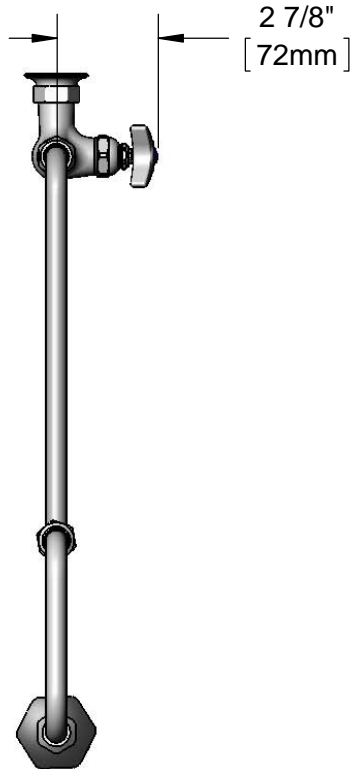
2 Saddleback Cove / P.O. Box 1088
Travelers Rest, SC 29690

Model No.

B-0592-LF20

Item No.

Travelers Rest, SC: 800-476-4103 • Simi Valley, CA: 800-423-0150 • Fax: 864-834-3518 • www.tsbrass.com



This Space for Architect/Engineer Approval

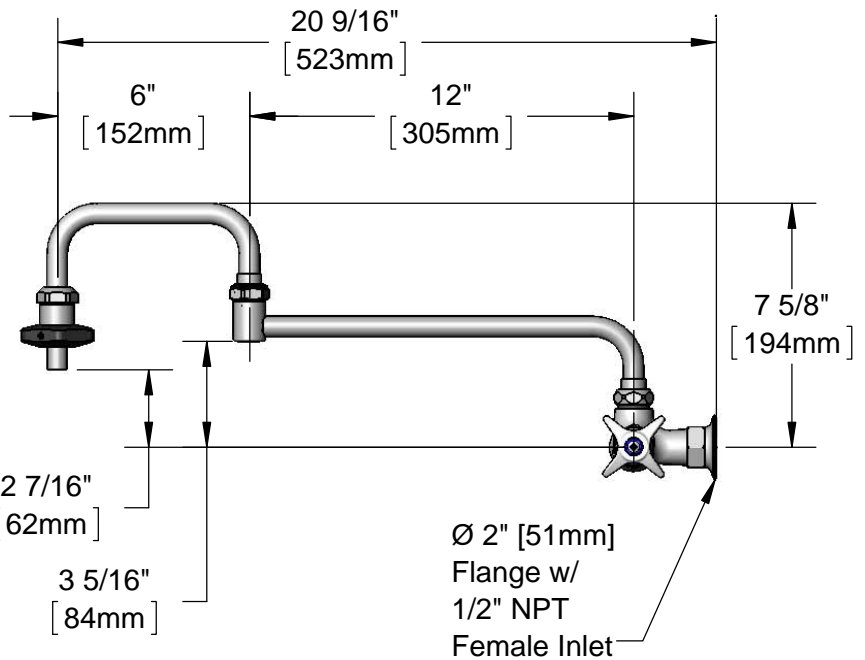
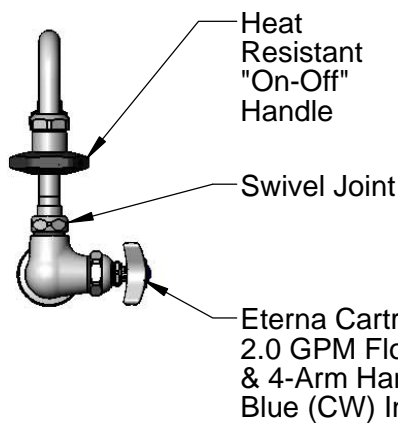
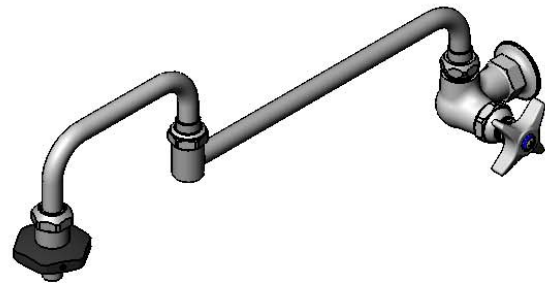
Job Name _____ Date _____

Model Specified _____ Quantity _____

Customer/Wholesaler _____

Contractor _____

Architect/Engineer _____



Product Specifications:
 Pot Filler Faucet w/ 4-Arm Handle & Blue (CW) Index, 18" Double Joint Swing Nozzle w/ 2.0 GPM Flow Control Cartridge, Heat Resistant Handle & 1/2" NPT Female Inlet

Product Compliance:
 ASME A112.18.1 / CSA B125.1
 NSF 61 - Section 9
 NSF 372 (Low Lead Content)



T&S BRASS AND BRONZE WORKS, INC.

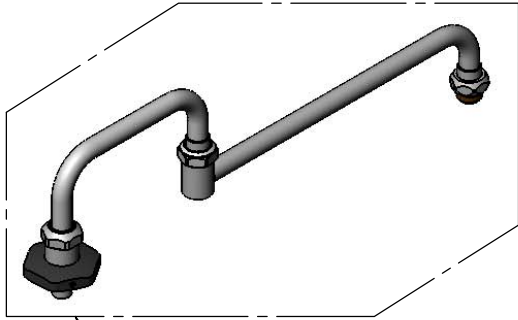
2 Saddleback Cove / P.O. Box 1088
Travelers Rest, SC 29690

Model No.

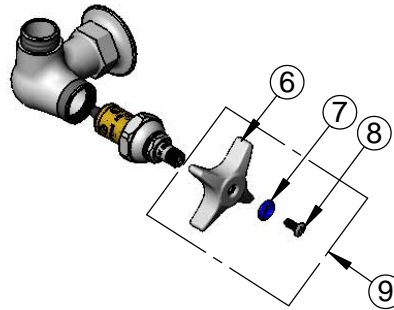
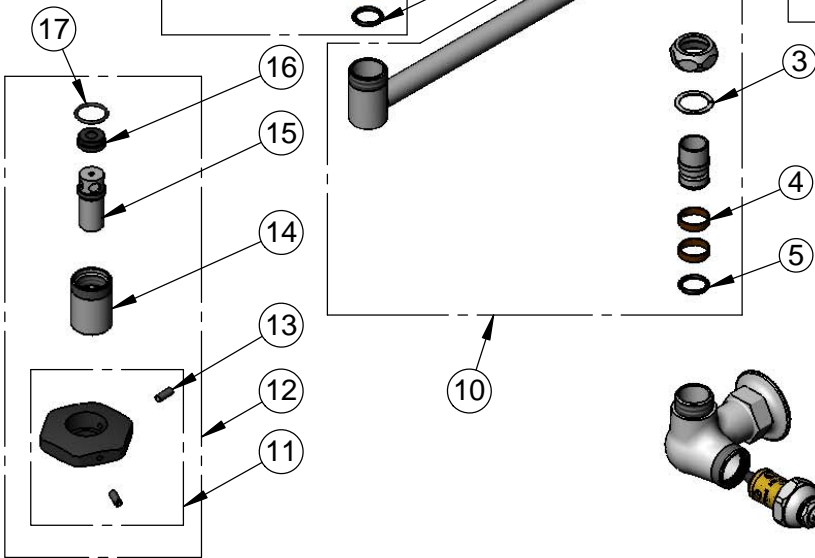
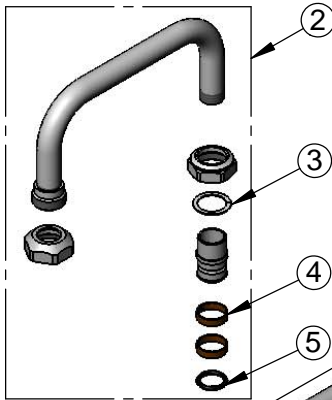
B-0592-LF20

Item No.

Travelers Rest, SC: 800-476-4103 • Simi Valley, CA: 800-423-0150 • Fax: 864-834-3518 • www.tsbrass.com



① Additional View For Bill of Material Clarification w/o Faucet



ITEM NO.	SALES NO.	DESCRIPTION
1	002848-40	18" Double Joint Swing Nozzle w/ Insulated Grip On/Off Outlet
2	002870-40	18" Double Joint Swing Nozzle, 6" Front Section
3	009538-45	Swivel Washer
4	011429-45	Swivel Sleeves (2)
5	001074-45	O-Ring
6	005960-40	Eterna Cartridge, RTC
6	002521-45	4-Arm Handle
7	001660-45	Blue Index-CW
8	000922-45	Lever Handle Screw
9	175FC	4-Arm Handle w/ Blue Index & Screw
10	002871-40	18" Double Joint Swing Nozzle, 12" Back Section
11	001126-20	Handle w/ (2) Set Screws
12	035A	Outlet
13	000936-45	Handle Set Screw
14	000587-25	Spout Body
15	001498-25	Spout
16	001089-45	Seal
17	003426-45	O-Ring

Product Specifications:

Pot Filler Faucet w/ 4-Arm Handle & Blue (CW) Index, 18" Double Joint Swing Nozzle w/ 2.0 GPM Flow Control Cartridge, Heat Resistant Handle & 1/2" NPT Female Inlet

Product Compliance:

ASME A112.18.1 / CSA B125.1
NSF 61 - Section 9
NSF 372 (Low Lead Content)