



T&S BRASS AND BRONZE WORKS, INC.

2 Saddleback Cove / P.O. Box 1088
Travelers Rest, SC 29690

Model No.

B-0592-26-CH

Item No.

Travelers Rest, SC: 800-476-4103 • Simi Valley, CA: 800-423-0150 • Fax: 864-834-3518 • www.tsbrass.com

This Space for Architect/Engineer Approval

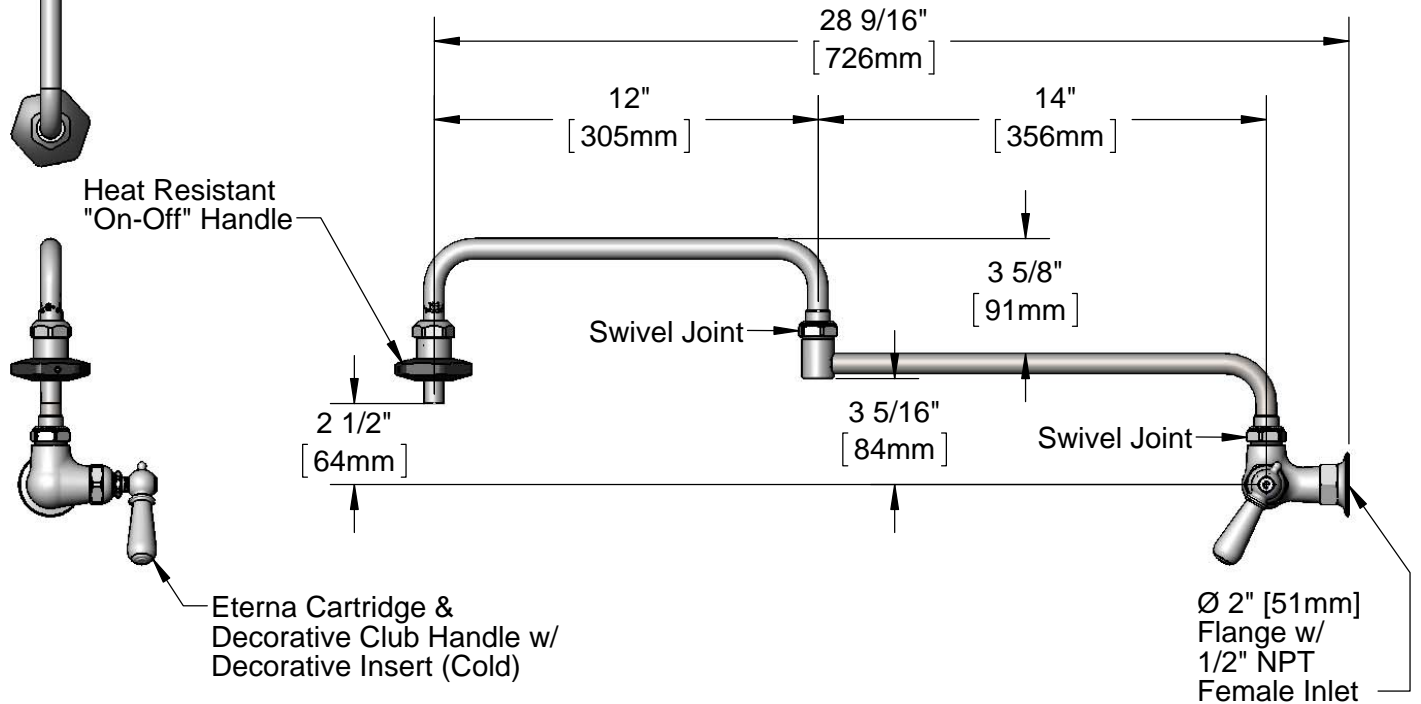
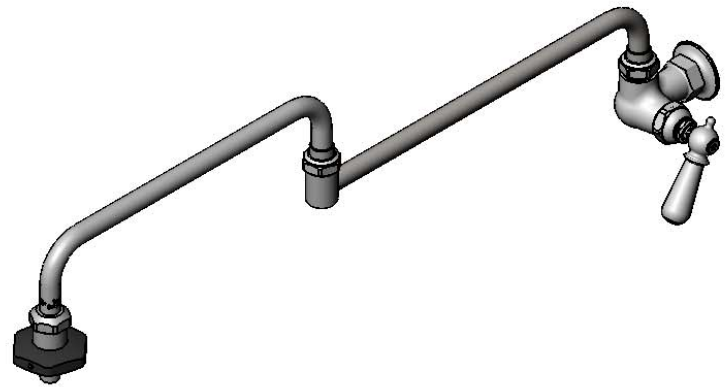
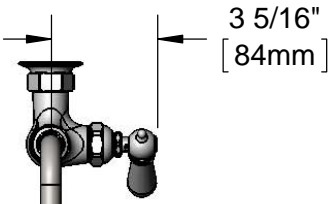
Job Name _____ Date _____

Model Specified _____ Quantity _____

Customer/Wholesaler _____

Contractor _____

Architect/Engineer _____



Product Specifications:

Pot Filler Wall Mount, Single Control w/ 26" Double Joint Swing Nozzle, Heat Resistant Handle, Eterna Cartridge, Decorative Club Handle w/ Decorative Insert "Cold" & 1/2" NPT Female Inlet

Product Compliance:

ASME A112.18.1 / CSA B125.1
NSF 61 - Section 9
NSF 372 (Low Lead Content)



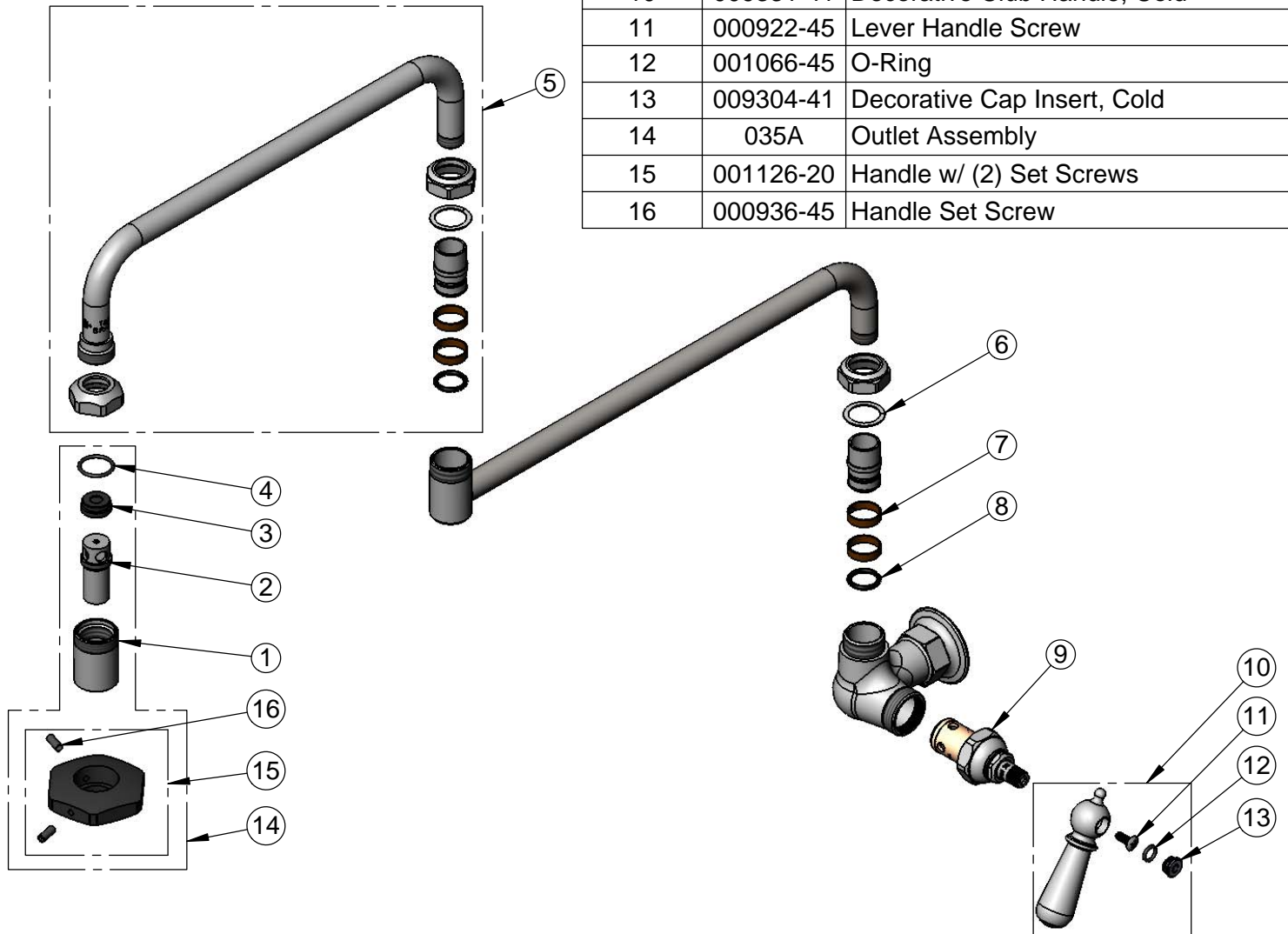
T&S BRASS AND BRONZE WORKS, INC.
 2 Saddleback Cove / P.O. Box 1088
 Travelers Rest, SC 29690

Model No.
B-0592-26-CH

Item No.

Travelers Rest, SC: 800-476-4103 • Simi Valley, CA: 800-423-0150 • Fax: 864-834-3518 • www.tsbrass.com

| ITEM NO. | SALES NO. | DESCRIPTION |
|----------|-----------|------------------------------|
| 1 | 000587-25 | Spout Body |
| 2 | 001498-25 | Spout |
| 3 | 001089-45 | Seal |
| 4 | 003426-45 | O-Ring |
| 5 | 002869-40 | 12" Front Section, DJN |
| 6 | 009538-45 | Swivel Washer |
| 7 | 011429-45 | Swivel Sleeves (2) |
| 8 | 001074-45 | O-Ring |
| 9 | 005960-40 | Eterna Cartridge, RTC |
| 10 | 009331-41 | Decorative Club Handle, Cold |
| 11 | 000922-45 | Lever Handle Screw |
| 12 | 001066-45 | O-Ring |
| 13 | 009304-41 | Decorative Cap Insert, Cold |
| 14 | 035A | Outlet Assembly |
| 15 | 001126-20 | Handle w/ (2) Set Screws |
| 16 | 000936-45 | Handle Set Screw |



Product Specifications:

Pot Filler Wall Mount, Single Control w/ 26" Double Joint Swing Nozzle, Heat Resistant Handle, Eterna Cartridge, Decorative Club Handle w/ Decorative Insert "Cold" & 1/2" NPT Female Inlet

Product Compliance:

ASME A112.18.1 / CSA B125.1
 NSF 61 - Section 9
 NSF 372 (Low Lead Content)