



# T&S BRASS AND BRONZE WORKS, INC.

2 Saddleback Cove / P.O. Box 1088  
Travelers Rest, SC 29690

Model No.

**B-0578**

Item No.

Travelers Rest, SC: 800-476-4103 • Simi Valley, CA: 800-423-0150 • Fax: 864-834-3518 • www.tsbrass.com

This Space for Architect/Engineer Approval

Job Name \_\_\_\_\_ Date \_\_\_\_\_

Model Specified \_\_\_\_\_ Quantity \_\_\_\_\_

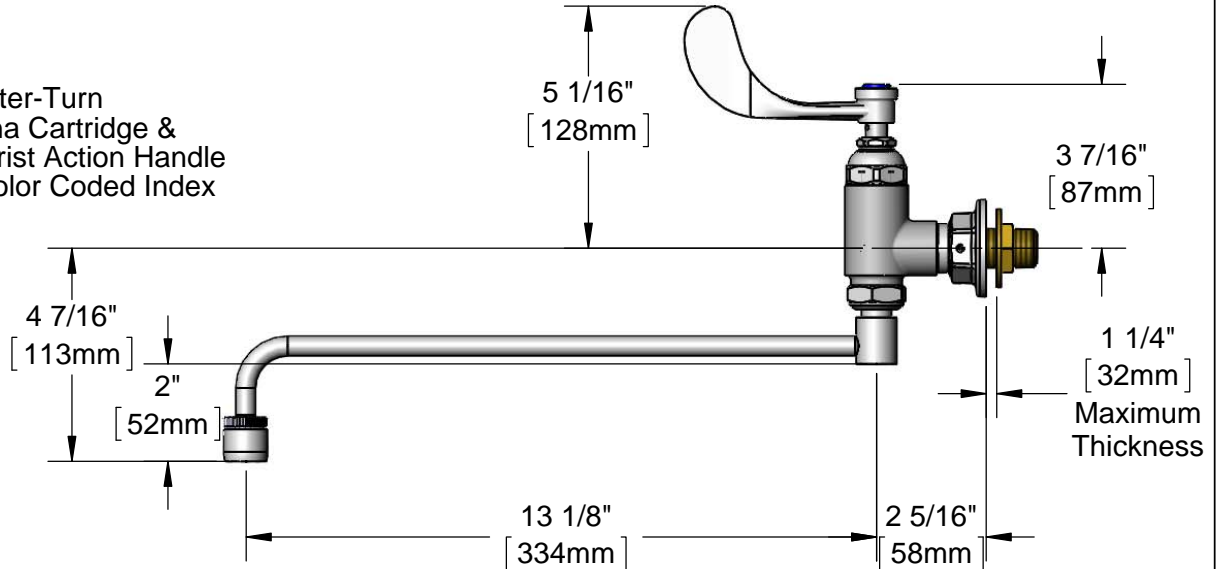
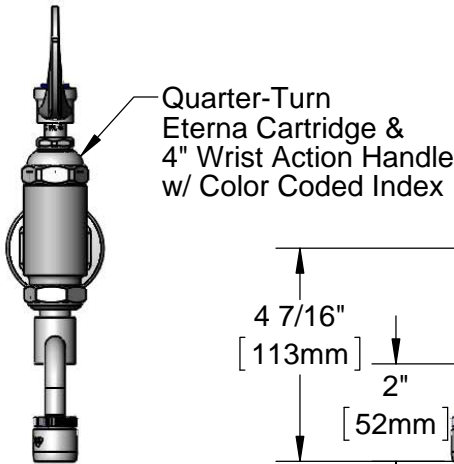
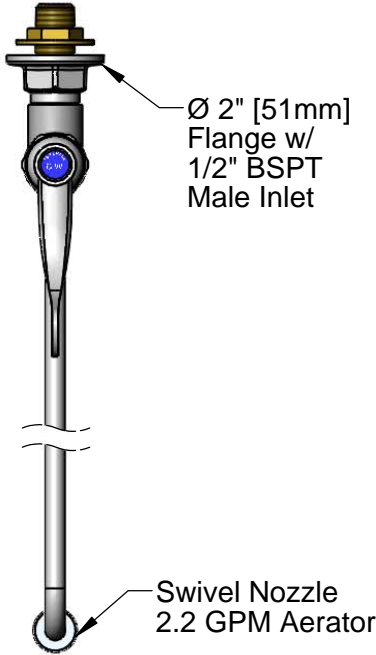
Customer/Wholesaler \_\_\_\_\_

Contractor \_\_\_\_\_

Architect/Engineer \_\_\_\_\_



**ADA Compliant**



Note: Rough-In Requirement  
Ø 1" [25mm] Mounting Hole

Product Specifications:  
Wall Mount Range Faucet, Quarter-Turn Eterna Cartridge,  
4" Wrist Action Handle, Swing Nozzle w/ 2.2 GPM Aerator Outlet  
& 1/2" BSPT Male Inlet

Product Compliance:  
ASME A112.18.1 / CSA B125.1  
NSF 61 - Section 9  
NSF 372 (Low Lead Content)  
ANSI A117.1 (ADA)



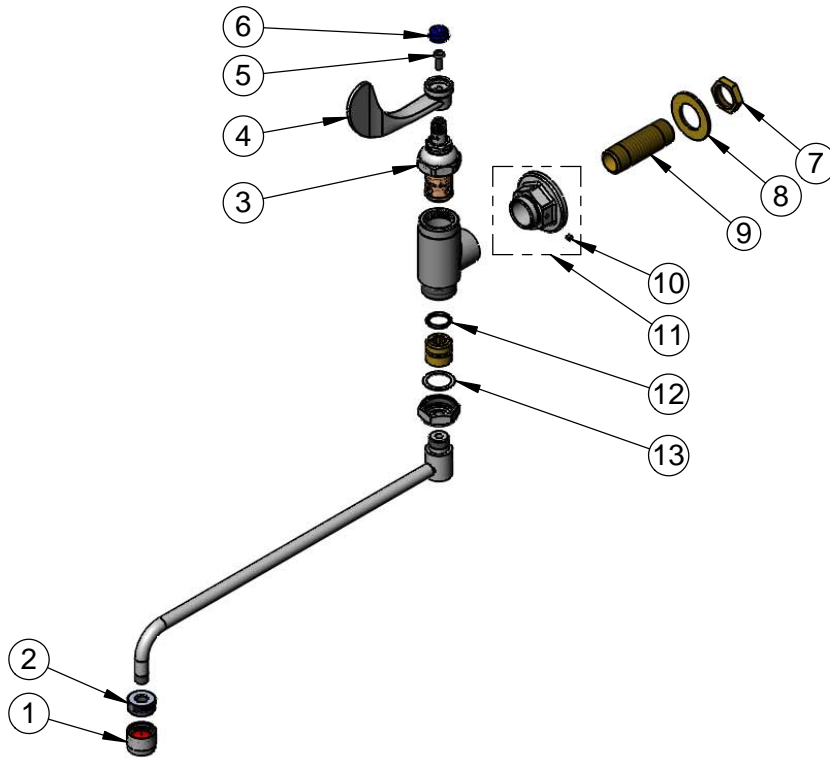
**T&S BRASS AND BRONZE WORKS, INC.**  
 2 Saddleback Cove / P.O. Box 1088  
 Travelers Rest, SC 29690

Model No.  
**B-0578**

Item No.

Travelers Rest, SC: 800-476-4103 • Simi Valley, CA: 800-423-0150 • Fax: 864-834-3518 • www.tsbrass.com

ITEM NO.	SALES NO.	DESCRIPTION
1	B-0199-01	2.2 GPM Aerator, 55/64"-27 UN Female
2	001624-25	Adapter, 1/8" Female
3	006010-40QT	Quarter-Turn Eterna Cartridge RTC
4	B-WH4	4" Wrist Action Handle
5	000925-45	Lab Handle Screw
6	001686-45	Blue Index - CW
7	002954-45	Shank Lock Nut
8	000999-45	Brass Lock Washer
9	002814-45	1/2" BSPT x 3 3/8" Supply Nipple
10	150F	8-32UN Set Screw
11	B-0460	1/2" Slip Flange
12	001074-45	O-Ring
13	009538-45	Swivel Washer



**Product Specifications:**  
 Wall Mount Range Faucet, Quarter-Turn Eterna Cartridge,  
 4" Wrist Action Handle, Swing Nozzle w/ 2.2 GPM Aerator Outlet  
 & 1/2" BSPT Male Inlet

**Product Compliance:**  
 ASME A112.18.1 / CSA B125.1  
 NSF 61 - Section 9  
 NSF 372 (Low Lead Content)  
 ANSI A117.1 (ADA)