



T&S BRASS AND BRONZE WORKS, INC.

2 Saddleback Cove / P.O. Box 1088
Travelers Rest, SC 29690

Model No.

B-0577

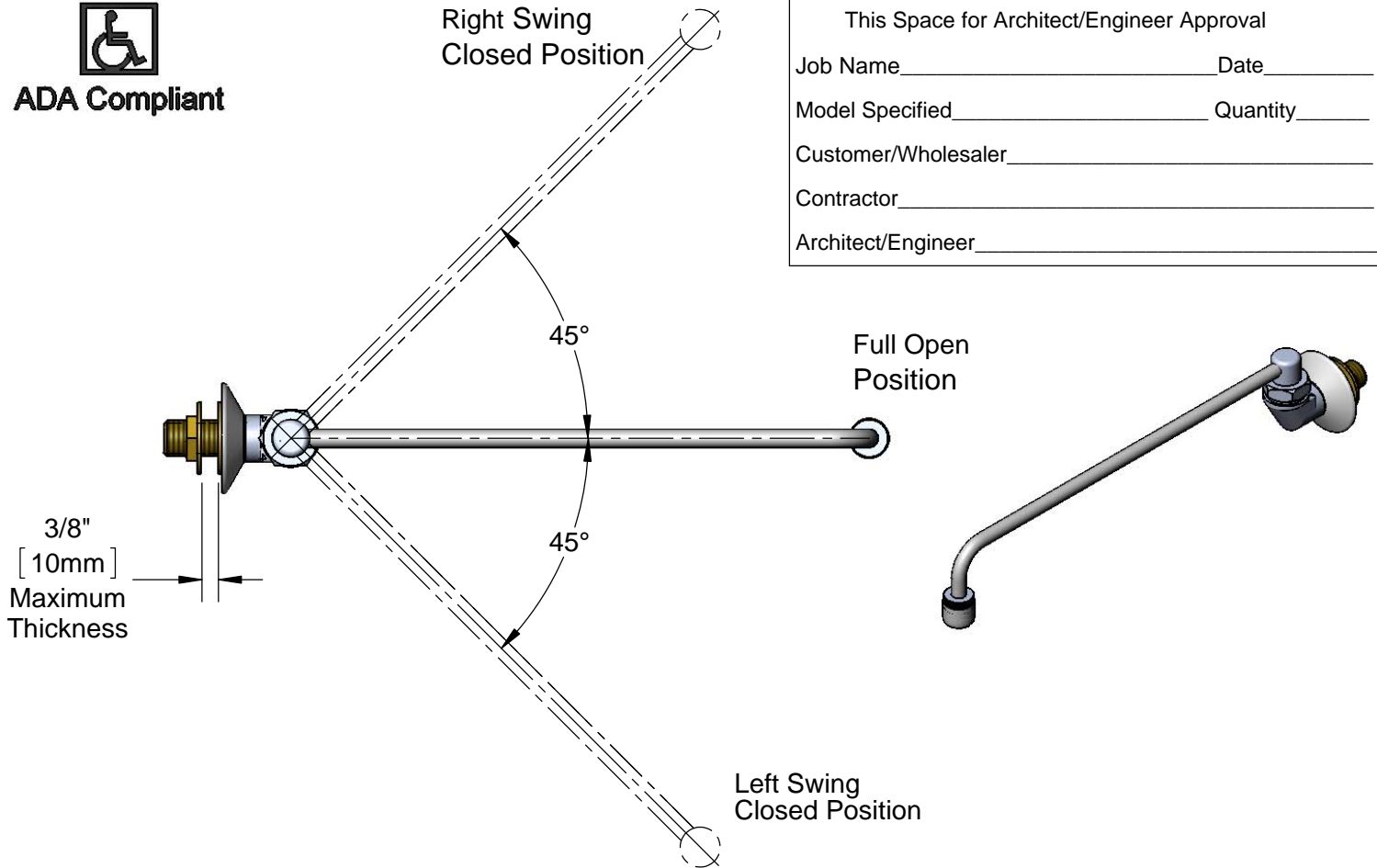
Item No.

Travelers Rest, SC: 800-476-4103 • Simi Valley, CA: 800-423-0150 • Fax: 864-834-3518 • www.tsbrass.com



ADA Compliant

Right Swing
Closed Position



This Space for Architect/Engineer Approval

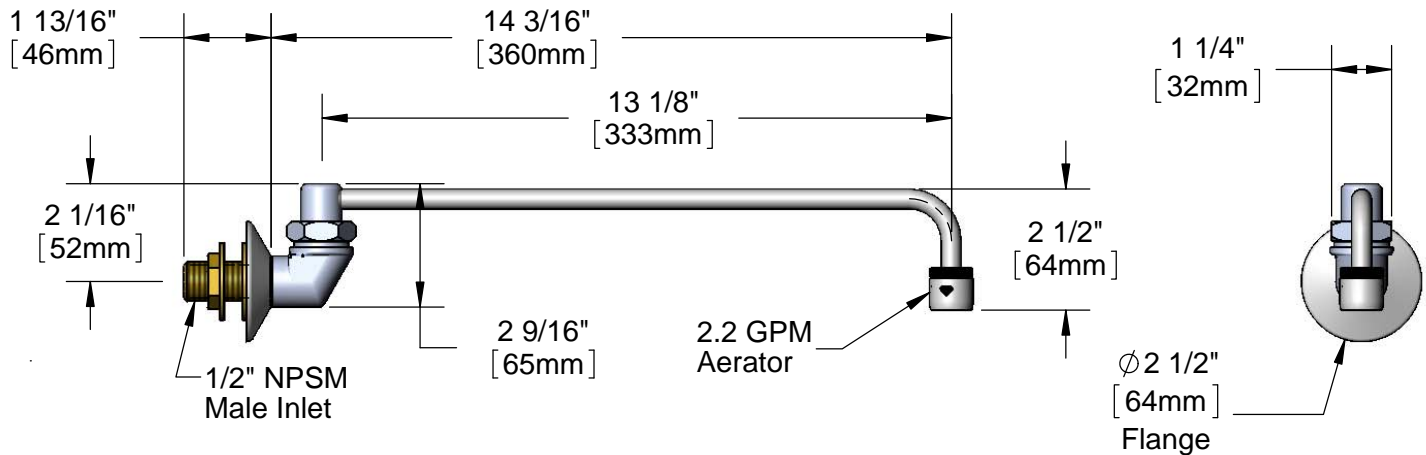
Job Name _____ Date _____

Model Specified _____ Quantity _____

Customer/Wholesaler _____

Contractor _____

Architect/Engineer _____



Rough-In Requirement:
Ø 1" [25mm] Mounting Hole

Product Specifications:
Range Faucet w/ 2.2 GPM Aerator Outlet,
Swing Nozzle & 1/2" NPSM Male Inlet

Product Compliance:
ASME A112.18.1 / CSA B125.1
NSF 61 - Section 9
NSF 372 (Low Lead Content)
ANSI A117.1 (ADA)



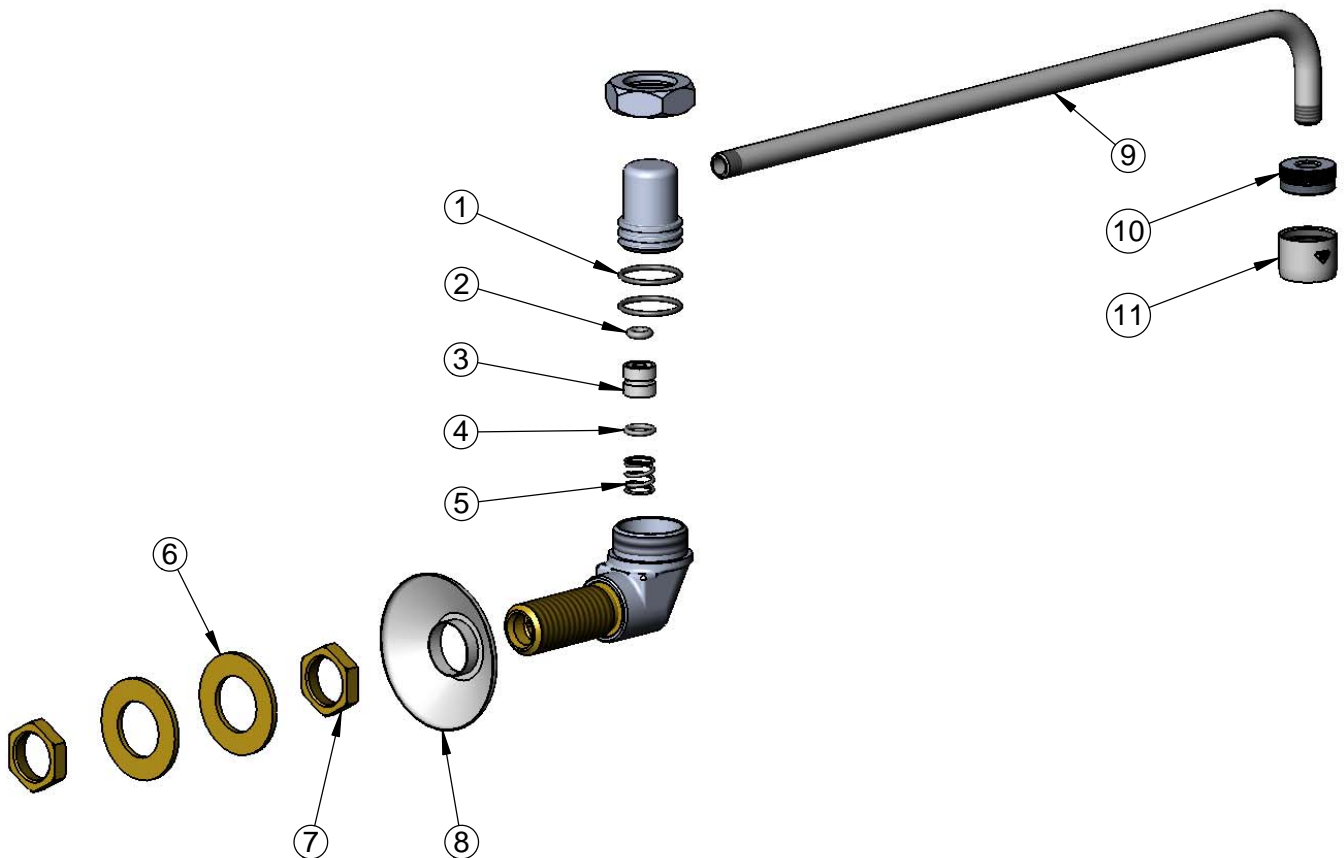
T&S BRASS AND BRONZE WORKS, INC.
 2 Saddleback Cove / P.O. Box 1088
 Travelers Rest, SC 29690

Model No.
B-0577

Item No.

Travelers Rest, SC: 800-476-4103 • Simi Valley, CA: 800-423-0150 • Fax: 864-834-3518 • www.tsbrass.com

ITEM NO.	SALES NO.	DESCRIPTION
1	001069-45	O-Ring
2	009268-45	O-Ring
3	001621-20	Dynamic Bearing
4	009267-45	O-Ring
5	001625-45	Wrist Action Return Spring
6	000999-45	Brass Lock Washer
7	002954-45	Shank Lock Nut
8	001260-45	Escutcheon (1/2"), B-1300
9	001626-40	Nozzle
10	001624-25	Adapter, 1/8" Female x Male Aerator
11	B-0199-01	2.2 GPM Aerator, 55/64-27 UN Female



Product Specifications:
 Range Faucet w/ 2.2 GPM Aerator Outlet,
 Swing Nozzle & 1/2" NPSM Male Inlet

Product Compliance:
 ASME A112.18.1 / CSA B125.1
 NSF 61 - Section 9
 NSF 372 (Low Lead Content)
 ANSI A117.1 (ADA)