



T&S BRASS AND BRONZE WORKS, INC.
 2 Saddleback Cove / P.O. Box 1088
 Travelers Rest, SC 29690

Model No.
B-0534

Item No.

Travelers Rest, SC: 800-476-4103 • Simi Valley, CA: 800-423-0150 • Fax: 864-834-3518 • www.tsbrass.com



ADA Compliant

This Space for Architect/Engineer Approval

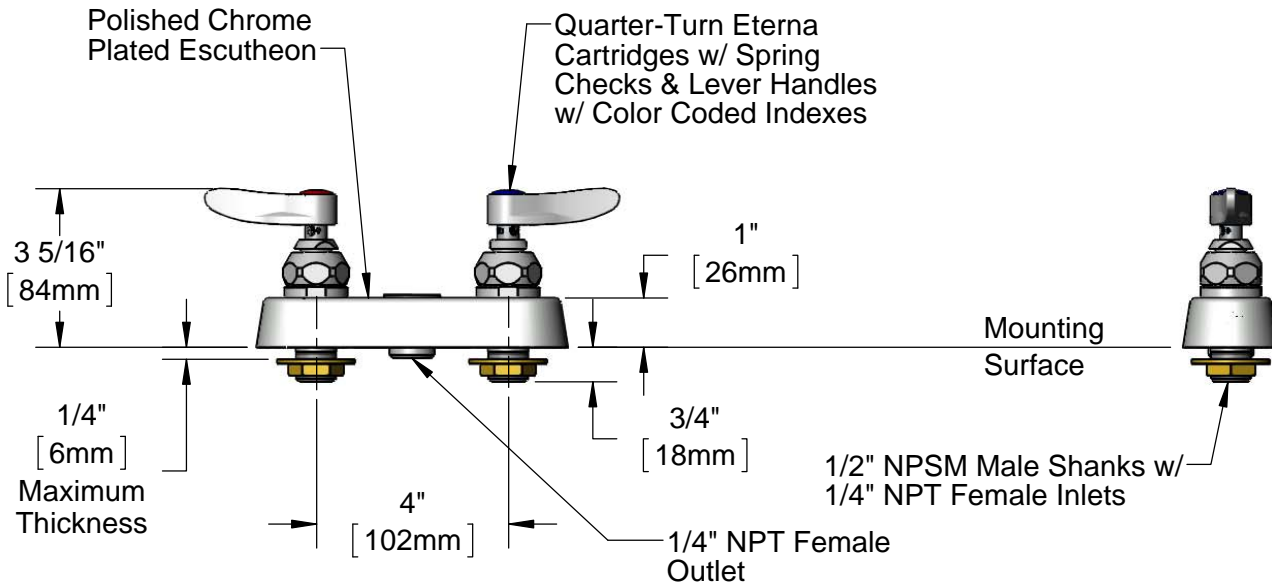
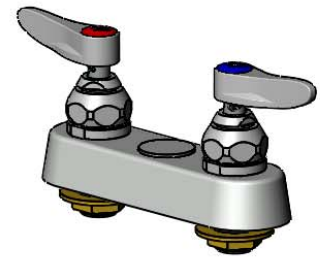
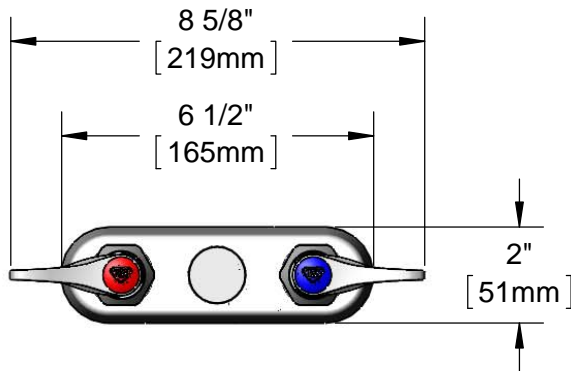
Job Name _____ Date _____

Model Specified _____ Quantity _____

Customer/Wholesaler _____

Contractor _____

Architect/Engineer _____



Rough-In Requirement:
 (3) \varnothing 1" [25mm] Mounting Holes

Product Specifications:
 4" Deck Mount Workboard Faucet, Quarter-Turn Eterna Cartridges w/ Spring Checks, Lever Handles, 1/4" NPT Female Bottom Outlet & 1/2" NPSM Male Shanks w/ 1/4" NPT Female Inlets

Product Compliance:
 ASME A112.18.1 / CSA B125.1
 NSF 61 - Section 9
 NSF 372 (Low Lead Content)
 ANSI A117.1 (ADA)

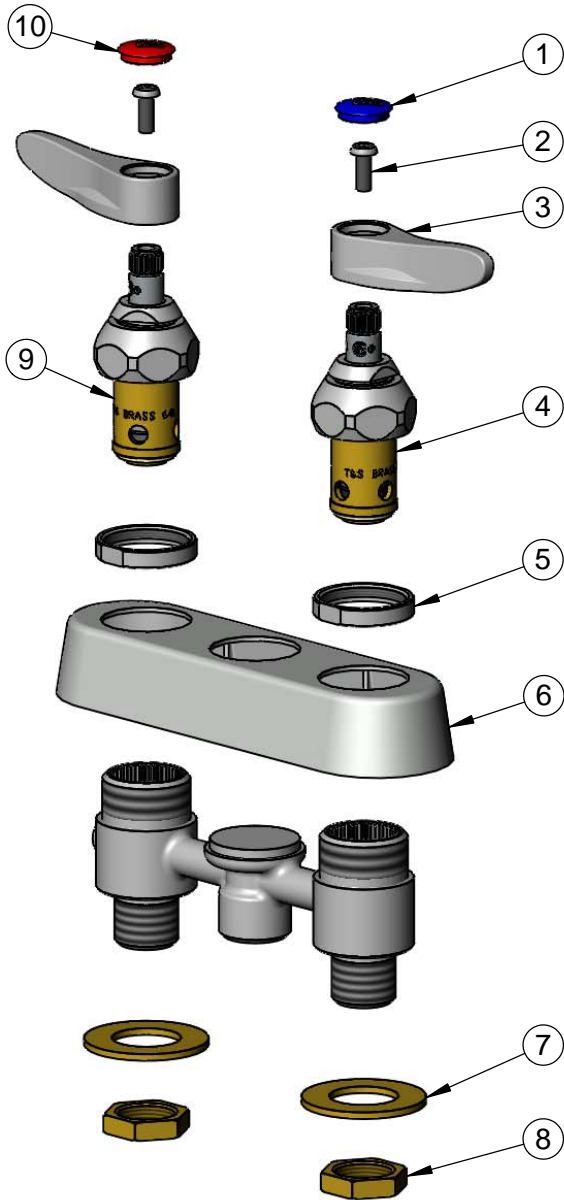


T&S BRASS AND BRONZE WORKS, INC.
 2 Saddleback Cove / P.O. Box 1088
 Travelers Rest, SC 29690

Model No.
B-0534
 Item No.

Travelers Rest, SC: 800-476-4103 • Simi Valley, CA: 800-423-0150 • Fax: 864-834-3518 • www.tsbrass.com

ITEM NO.	SALES NO.	DESCRIPTION
1	019363-45	Blue Button Index, Press-in
2	000925-45	Lab Handle Screw
3	019361-45	Lever Handle (New Style)
4	019382-40	Quarter-Turn New Style Eterna Cartridge w/ Spring Check, LTC
5	019376-40	Escutcheon Lock Nut
6	019374-40	B-1110 Eterna Workboard Escutcheon
7	000999-45	Brass Lock Washer
8	002954-45	Shank Lock Nut
9	019383-40	Quarter-Turn New Style Eterna Cartridge w/ Spring Check, RTC
10	019364-45	Red Button Index, Press-in



Product Specifications:
 4" Deck Mount Workboard Faucet, Quarter-Turn Eterna Cartridges w/ Spring Checks, Lever Handles, 1/4" NPT Female Bottom Outlet & 1/2" NPSM Male Shanks w/ 1/4" NPT Female Inlets

Product Compliance:
 ASME A112.18.1 / CSA B125.1
 NSF 61 - Section 9
 NSF 372 (Low Lead Content)
 ANSI A117.1 (ADA)