



T&S BRASS AND BRONZE WORKS, INC.
 2 Saddleback Cove / P.O. Box 1088
 Travelers Rest, SC 29690

Model No.
B-0520-02

Item No.

Travelers Rest, SC: 800-476-4103 • Simi Valley, CA: 800-423-0150 • Fax: 864-834-3518 • www.tsbrass.com

This Space for Architect/Engineer Approval

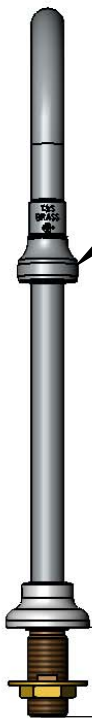
Job Name _____ Date _____

Model Specified _____ Quantity _____

Customer/Wholesaler _____

Contractor _____

Architect/Engineer _____



Rigid Gooseneck w/
 B-0103
 Rosespray Outlet

Mounting Surface

1 7/8"
 [47mm]

12 7/8"
 [328mm]

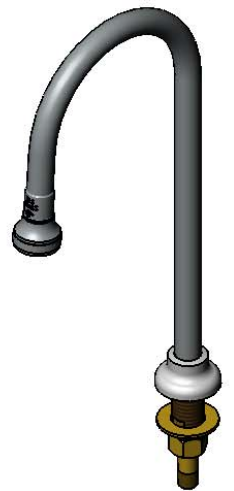
7 3/16"
 [183mm]

5 9/16"
 [141mm]

Ø 1 11/16"
 [43mm]
 Rigid Deck Flange
 w/ 1/2" NPSM Male Inlet

1 1/8"
 [29mm]
 Maximum
 Thickness

150A
 Optional Tailpiece & Nut
 for 1/4" NPT Connection
 (Included)



Rough-In Requirement:
 Ø 1" [25mm] Mounting Hole

Product Specifications:
 Deck Mount Rigid Dummy Gooseneck w/ Rosespray Outlet

Product Compliance:
 ASME A112.18.1 / CSA B125.1
 NSF 61 - Section 9
 NSF 372 (Low Lead Content)



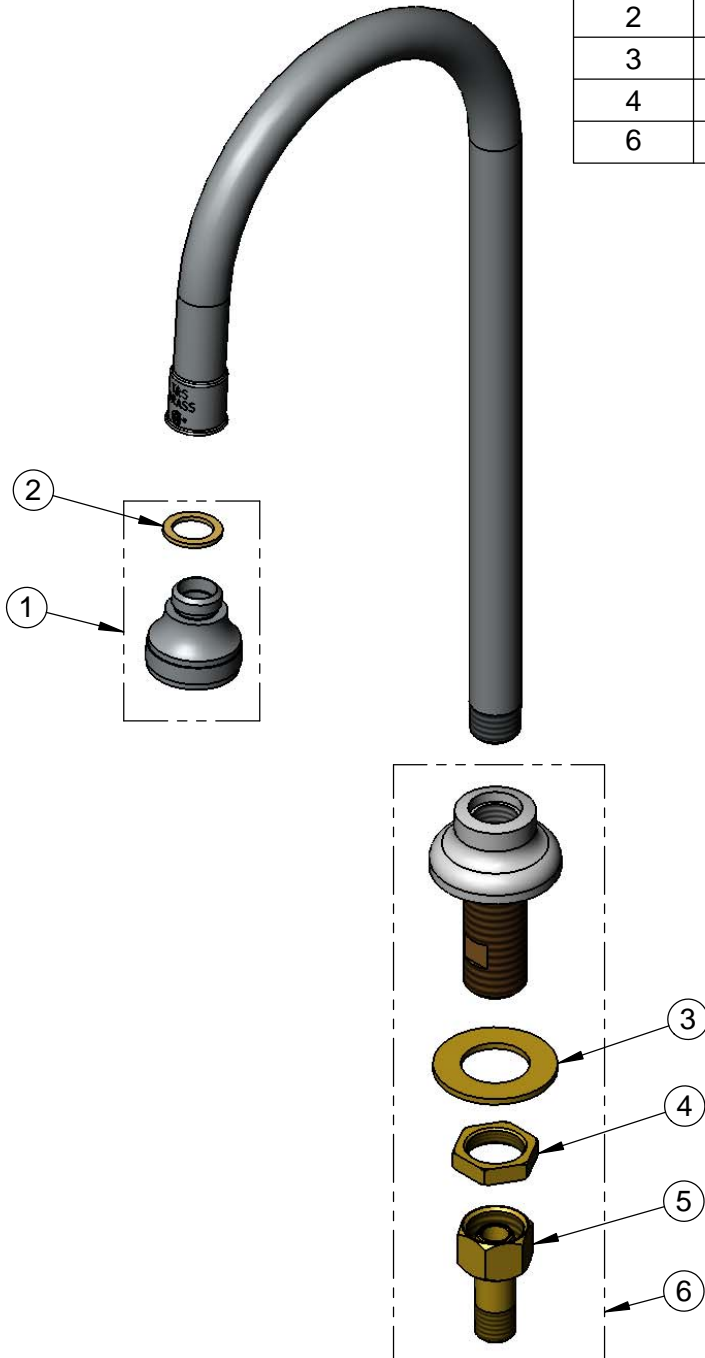
T&S BRASS AND BRONZE WORKS, INC.
 2 Saddleback Cove / P.O. Box 1088
 Travelers Rest, SC 29690

Model No.
B-0520-02

Item No.

Travelers Rest, SC: 800-476-4103 • Simi Valley, CA: 800-423-0150 • Fax: 864-834-3518 • www.tsbrass.com

ITEM NO.	SALES NO.	DESCRIPTION
1	B-0103	Rosespray Outlet
2	001043-45	Washer
3	000999-45	Brass Lock Washer
4	002954-45	Shank Lock Nut
6	150A	1/4" NPT Tailpiece & Nut



Product Specifications:
 Deck Mount Rigid Dummy Gooseneck w/ Rosespray Outlet

Product Compliance:
 ASME A112.18.1 / CSA B125.1
 NSF 61 - Section 9
 NSF 372 (Low Lead Content)