



**T&S BRASS AND BRONZE WORKS, INC.**  
 2 Saddleback Cove / P.O. Box 1088  
 Travelers Rest, SC 29690

Model No.  
**B-0509-D127XV12**

Item No.

Travelers Rest, SC: 800-476-4103 • Simi Valley, CA: 800-423-0150 • Fax: 864-834-3518 • www.tsbrass.com

This Space for Architect/Engineer Approval

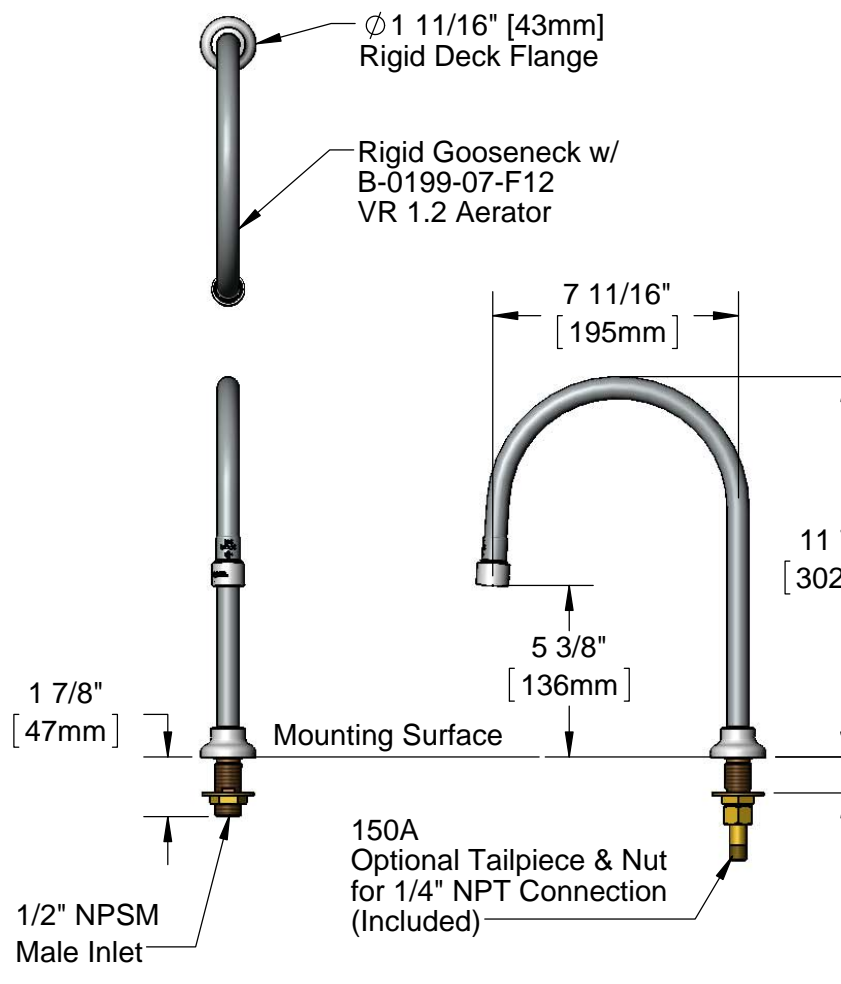
Job Name \_\_\_\_\_ Date \_\_\_\_\_

Model Specified \_\_\_\_\_ Quantity \_\_\_\_\_

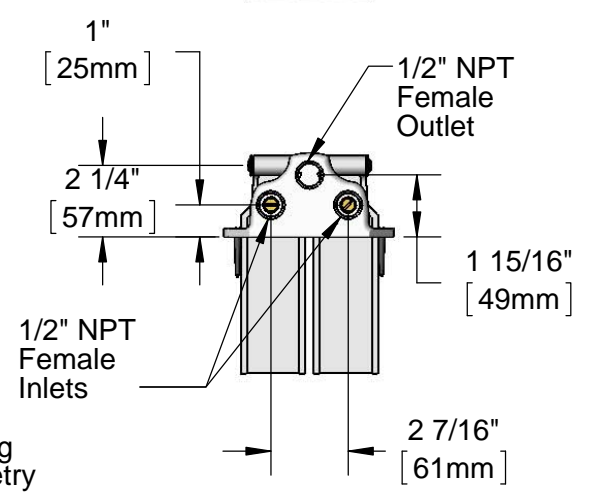
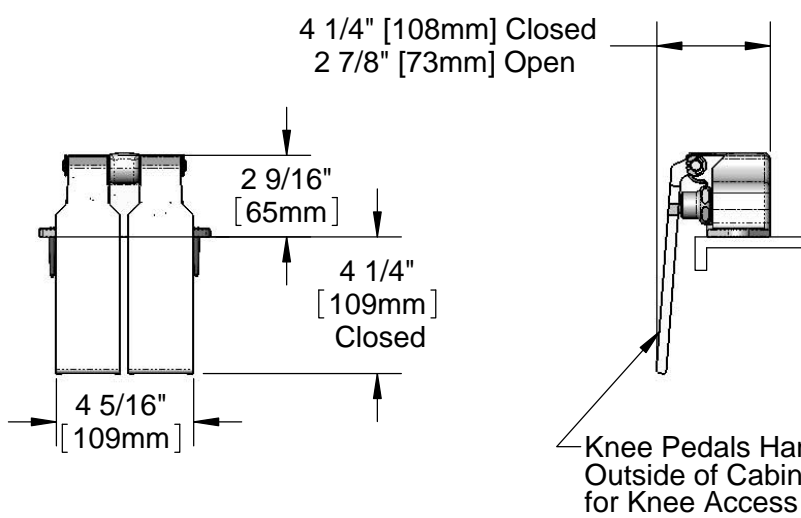
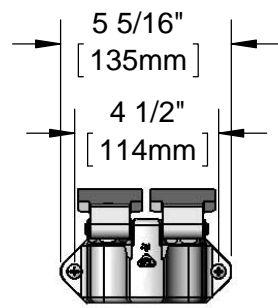
Customer/Wholesaler \_\_\_\_\_

Contractor \_\_\_\_\_

Architect/Engineer \_\_\_\_\_



(2) Wood Mounting Screws (Included)



Product Specifications:  
**Ledge-Mounted Double Knee Pedal Valve w/ Deck Mount Dummy Rigid Gooseneck & VR 1.2 GPM Aerator**

Product Compliance:  
 ASME A112.18.1 / CSA B125.1  
 NSF 61 - Section 9  
 NSF 372 (Low Lead Content)



# T&S BRASS AND BRONZE WORKS, INC.

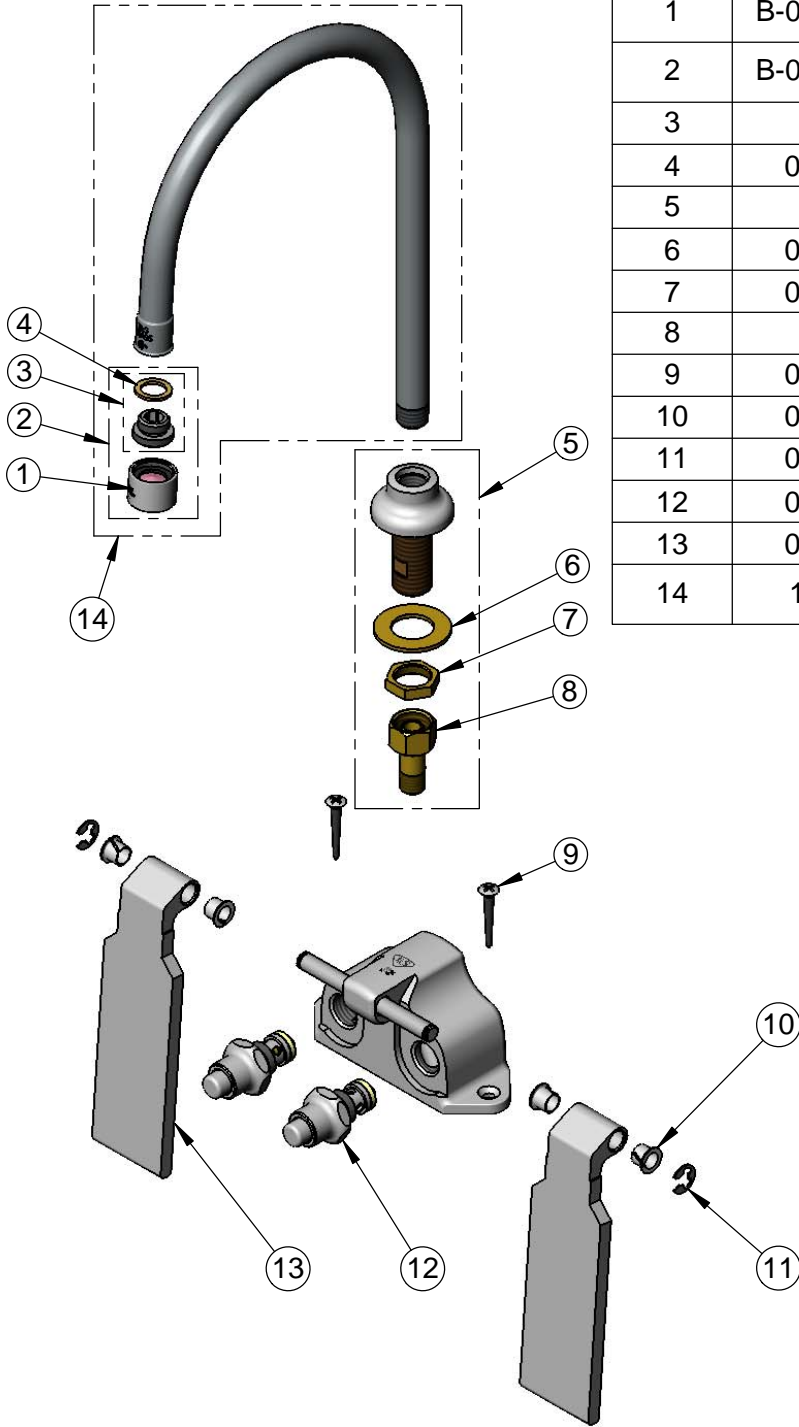
2 Saddleback Cove / P.O. Box 1088  
Travelers Rest, SC 29690

Model No.  
**B-0509-D127XV12**

Item No.

Travelers Rest, SC: 800-476-4103 • Simi Valley, CA: 800-423-0150 • Fax: 864-834-3518 • www.tsbrass.com

ITEM NO.	SALES NO.	DESCRIPTION
1	B-0199-06-F12	VR 1.2 GPM Aerator, 55/64-27 Female w/ Key
2	B-0199-07-F12	VR 1.2 GPM Aerator, 3/8" NPSM Male w/ Key
3	044A	3/8" to Aerator Adapter
4	001043-45	Washer
5	B-0430	Rigid Base Deck Mount Flange
6	000999-45	Brass Lock Washer
7	002954-45	Shank Lock Nut
8	150A	1/4" NPT Tailpiece & Nut
9	000915-45	Mounting Screw
10	001602-45	Bushing, Pedal Valve
11	012512-45	E-clip Retaining Ring
12	005312-40	Pedal Valve Bonnet
13	008987-20	Knee Pedal
14	127X-V12	Rigid Gooseneck w/ VR 1.2 GPM Aerator



015425-45  
Vandal Resistant Key

Product Specifications:  
Ledge-Mounted Double Knee Pedal Valve w/ Deck Mount Dummy Rigid Gooseneck & VR 1.2 GPM Aerator

Product Compliance:  
ASME A112.18.1 / CSA B125.1  
NSF 61 - Section 9  
NSF 372 (Low Lead Content)