



**T&S BRASS AND BRONZE WORKS, INC.**  
 2 Saddleback Cove / P.O. Box 1088  
 Travelers Rest, SC 29690

Model No.  
**B-0505-SL**

Item No.

Travelers Rest, SC: 800-476-4103 • Simi Valley, CA: 800-423-0150 • Fax: 864-834-3518 • www.tsbrass.com

This Space for Architect/Engineer Approval

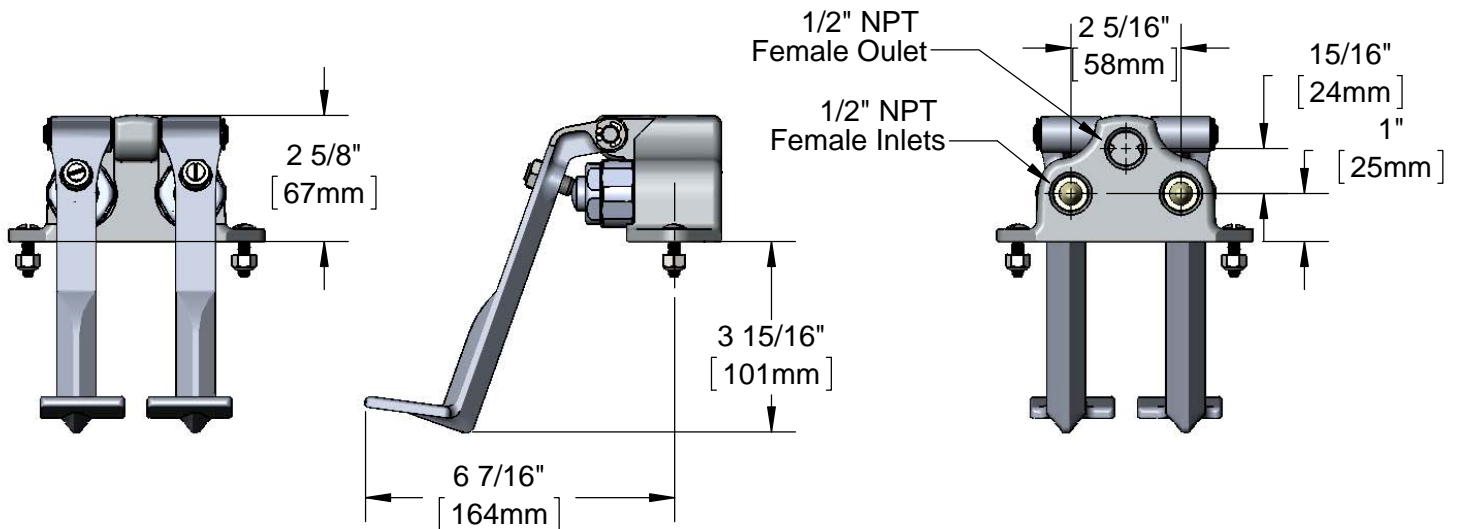
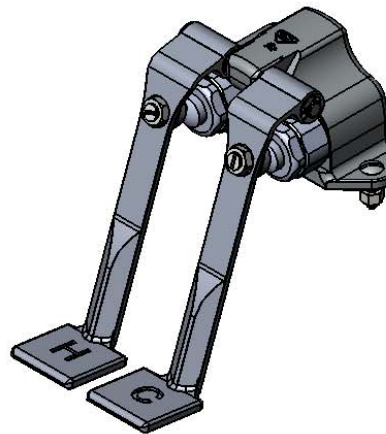
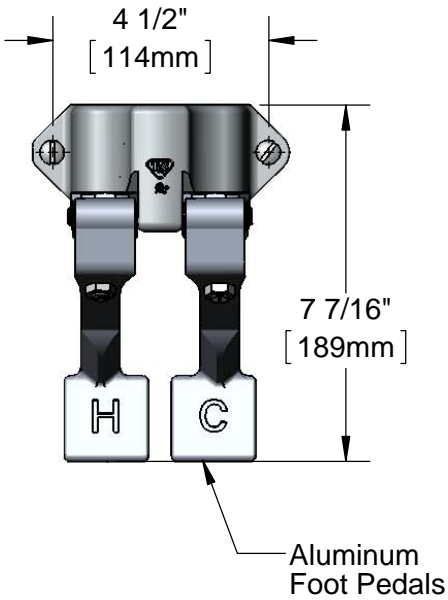
Job Name \_\_\_\_\_ Date \_\_\_\_\_

Model Specified \_\_\_\_\_ Quantity \_\_\_\_\_

Customer/Wholesaler \_\_\_\_\_

Contractor \_\_\_\_\_

Architect/Engineer \_\_\_\_\_



Product Specifications:  
 Double Pedal Valve with Slow Self-Closing Metering Cartridges and 1/2" NPT Female Inlets & Outlet

Product Compliance:  
 ASME A112.18.1 / CSA B125.1  
 NSF 61 - Section 9  
 NSF 372 (Low Lead Content)



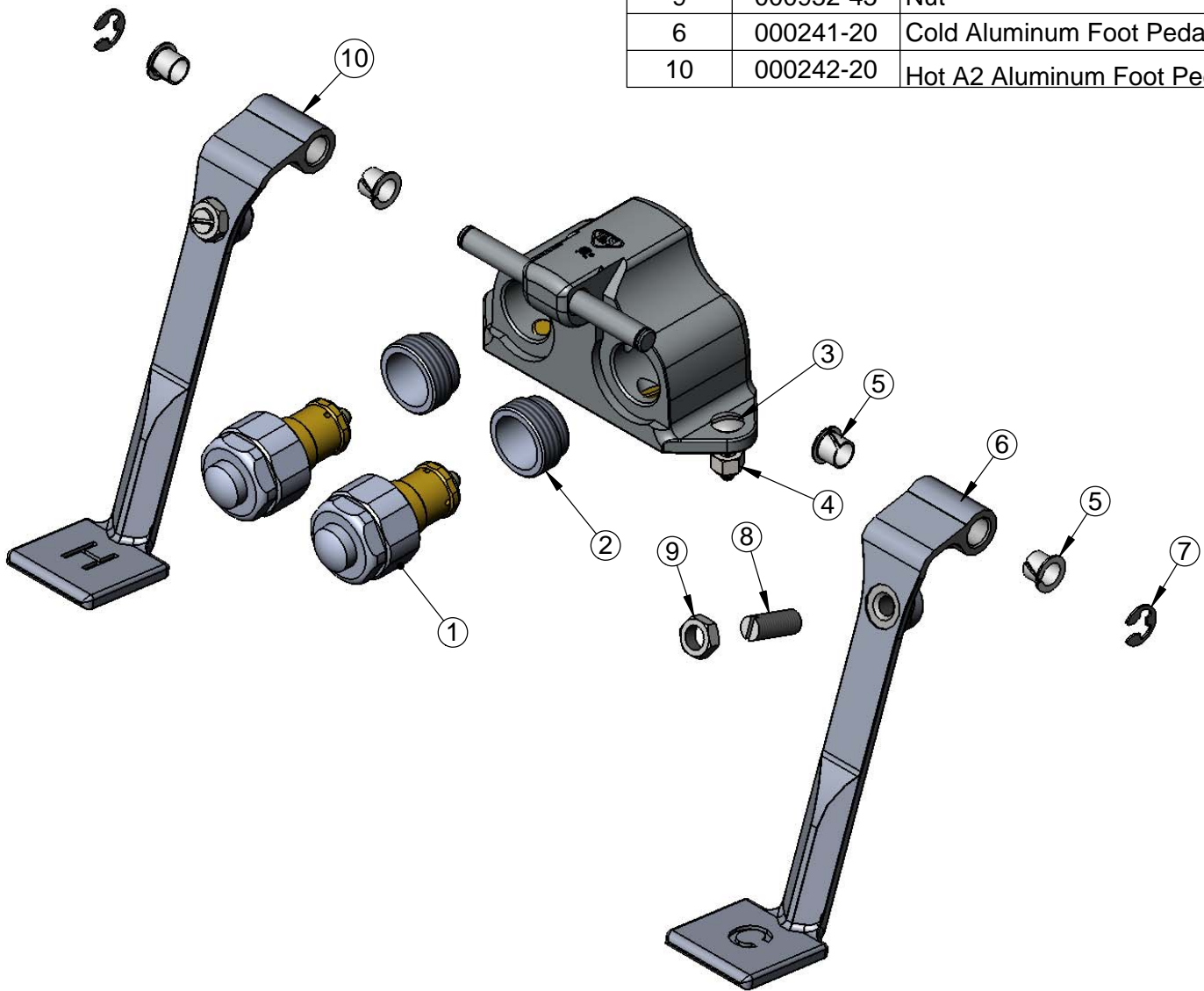
**T&S BRASS AND BRONZE WORKS, INC.**  
 2 Saddleback Cove / P.O. Box 1088  
 Travelers Rest, SC 29690

Model No.  
**B-0505-SL**

Item No.

Travelers Rest, SC: 800-476-4103 • Simi Valley, CA: 800-423-0150 • Fax: 864-834-3518 • www.tsbrass.com

ITEM NO.	SALES NO.	DESCRIPTION
1	011406-40	Metering Assembly
2	011320-25	Adapter
3	000919-45	Screw
4	000951-45	Nylon Lock Nut
5	001602-45	Bushing, Pedal Valve
7	012512-45	E-Clip Retaining Ring
8	001123-45	Nylon Set Screw
9	000952-45	Nut
6	000241-20	Cold Aluminum Foot Pedal
10	000242-20	Hot A2 Aluminum Foot Pedal



Product Specifications:  
 Double Pedal Valve with Slow Self-Closing Metering Cartridges and 1/2" NPT Female Inlets & Outlet

Product Compliance:  
 ASME A112.18.1 / CSA B125.1  
 NSF 61 - Section 9  
 NSF 372 (Low Lead Content)