



T&S BRASS AND BRONZE WORKS, INC.

2 Saddleback Cove / P.O. Box 1088
Travelers Rest, SC 29690

Model No.

B-0504-537K165X

Item No.

Travelers Rest, SC: 800-476-4103 • Simi Valley, CA: 800-423-0150 • Fax: 864-834-3518 • www.tsbrass.com

This Space for Architect/Engineer Approval

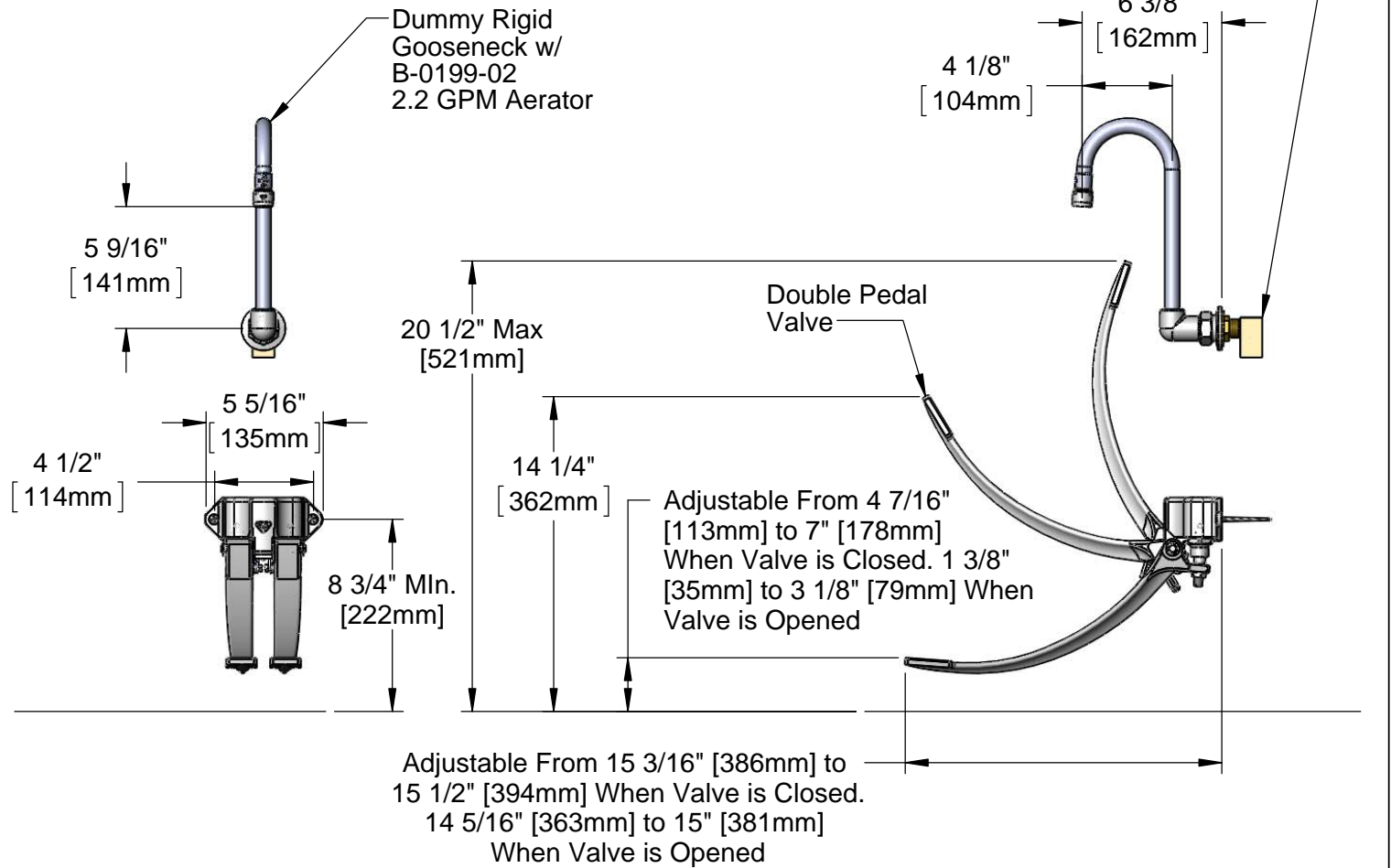
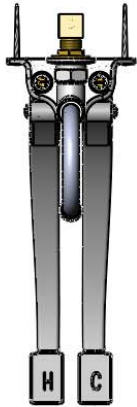
Job Name _____ Date _____

Model Specified _____ Quantity _____

Customer/Wholesaler _____

Contractor _____

Architect/Engineer _____



Note:
1. All Pedal Position Dimensions are Based on a Recommended Minimum Manufacturing Height of 8 3/4" [222mm] Above Finished Floor

Product Specifications:
Wall Mount Double Pedal Valve w/ Dummy Rigid Gooseneck & 2.2 GPM Aerator

Drawn KJG	Checked DHL	Approved JHB
Scale: 1:8		Date: 05/24/13



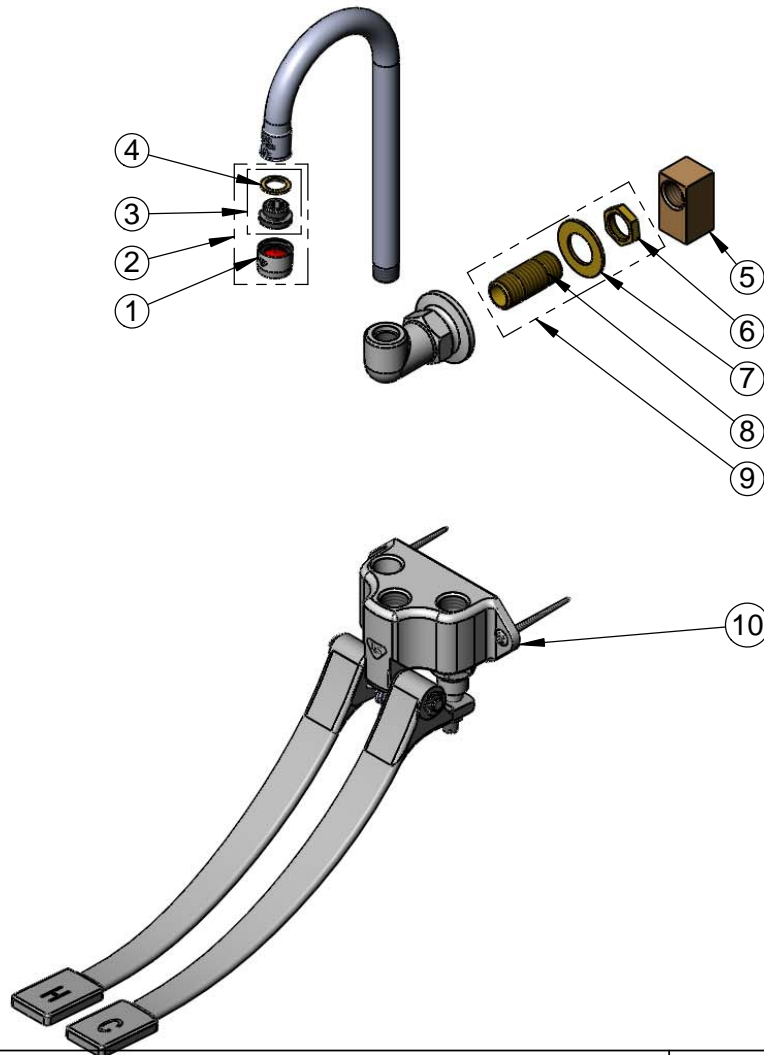
T&S BRASS AND BRONZE WORKS, INC.
 2 Saddleback Cove / P.O. Box 1088
 Travelers Rest, SC 29690

Model No.
B-0504-537K165X

Item No.

Travelers Rest, SC: 800-476-4103 • Simi Valley, CA: 800-423-0150 • Fax: 864-834-3518 • www.tsbrass.com

ITEM NO.	SALES NO.	DESCRIPTION
1	B-0199-01	2.2 GPM Aerator, 55/64"-27 UN Female
2	B-0199-02	2.2 GPM Aerator, 3/8" NPSM Male
3	044A	3/8" to Aerator Adapter w/ Washer
4	001043-45	Washer
5	006895-20	Short EI, 1/2 NPT-F x 1/2 NPT-F
6	002954-45	Shank Lock Nut
7	000999-45	Brass Lock Washer
8	000422-20	1/2" NPT Supply Nipple
9	B-0425	1/2" NPT Supply Nipple Kit
10	B-0504	Double Pedal Valve



Product Specifications:
 Wall Mount Double Pedal Valve w/ Dummy Rigid Gooseneck
 & 2.2 GPM Aerator

Drawn KJG	Checked DHL	Approved JHB
Scale: NTS		Date: 05/24/13